

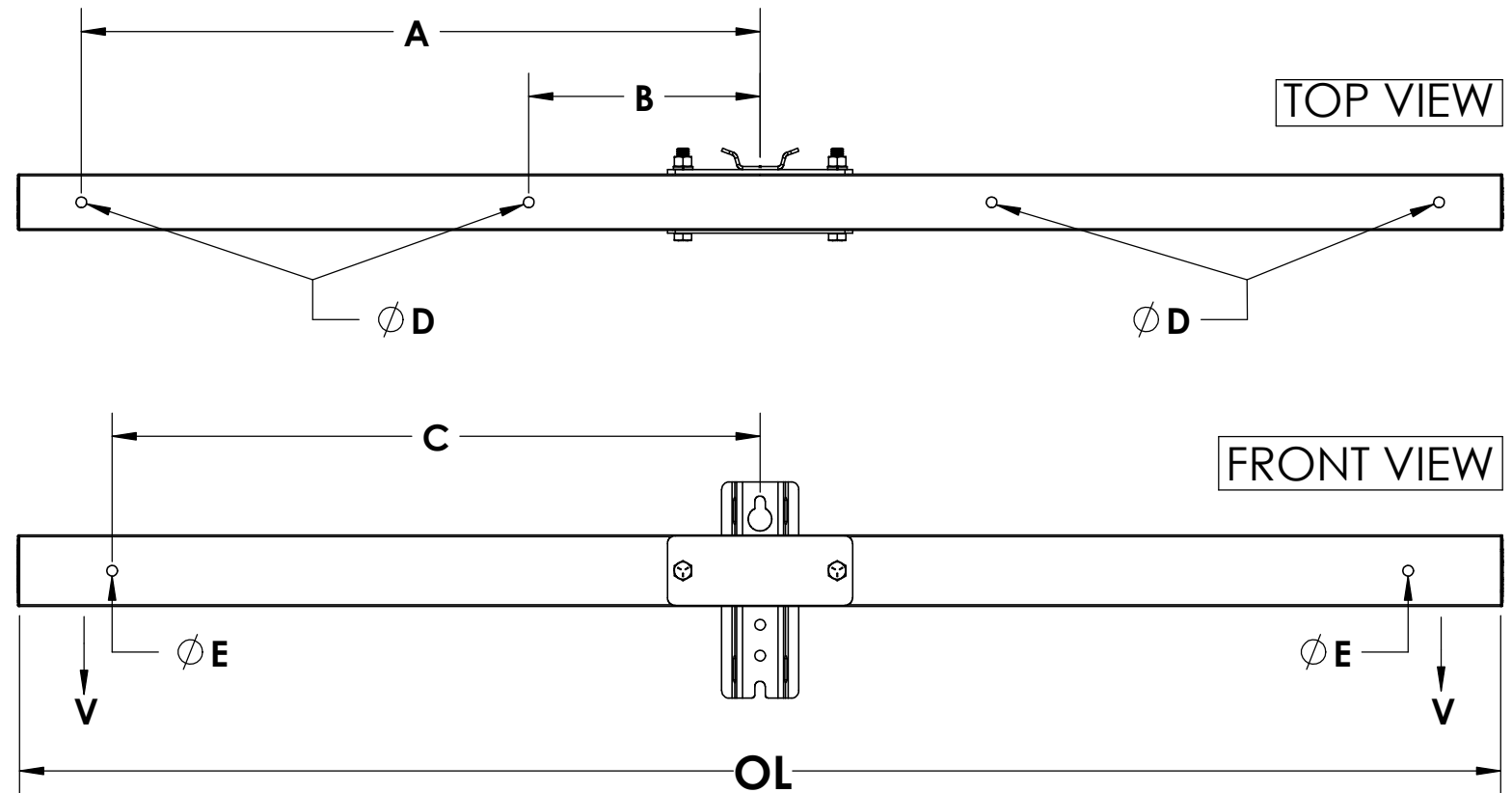
PUPI CUSTOM DRILL PATTERN PUPI®

www.pupicrossarms.com

STANDARD PUPI CROSSARM DRILL PATTERNS ARE AVAILABLE AT PUPICROSSARMS.COM.
 FOR CUSTOM CROSSARM INQUIRIES, COMPLETE THE TEMPLATE BELOW IN AS MUCH DETAIL AS POSSIBLE.
 PLEASE PROVIDE CONTACT INFORMATION FOR PUPI ENGINEERING TO RESPOND WITH ANY APPLICATION
 QUESTIONS. FORWARD A COMPLETED COPY OF THIS CROSSARM TEMPLATE TO pupisales@geotek.com
 FOR A CROSSARM RECOMMENDATION.

REVISIONS				
REV.	DESCRIPTION	DATE	INITIALS	ECO

DIMENSION LABEL	VALUE (IN.)	
OVERALL LENGTH, "OL"		
OUTER PHASE LOCATION, "A"		
INNER PHASE LOCATION, "B" <small>(Specify Value or Circle N/A)</small>		N/A
DOUBLE ARMING HOLE LOCATION, "C" <small>(Specify Value or Circle N/A)</small>		N/A
HOLE DIAMETER, "D"		
HOLE DIAMETER, "E" <small>(Specify Value or Circle N/A)</small>		N/A
HOLE DIAMETER, "F" <small>(Circle a Value)</small>	11/16"	13/16"


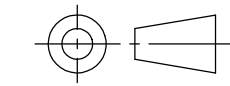


CROSSARM LOADING	VALUE (LBS)
MAXIMUM VERTICAL LOAD PER WIRE "V"	

1. PROVIDE **EITHER** THE MAXIMUM UNFACTORED VERTICAL LOAD THE CROSSARM WOULD SEE IN APPLICATION **OR** LINE DESIGN INFORMATION SUCH AS POLE SPAN, CONDUCTOR NAME, NESC LOADING CONDITIONS, AND DESIGN TENSION.
2. GEOTEK RECOMMENDS THAT FULLY FACTORED DESIGN TENSION AND WEIGHT PER WIRE, INCLUDING ALL OVERLOAD FACTORS, DOES NOT EXCEED 50% OF THE AVERAGE ULTIMATE STRENGTH PER WIRE OF THE CROSSARM

CUSTOMER CONTACT INFORMATION

COMPANY:
 CONTACT NAME:
 PHONE NUMBER:
 EMAIL ADDRESS:

<p>-----UNLESS OTHERWISE SPECIFIED----- DIMENSIONS ARE IN INCHES INTERPRET DIM AND TOL PER ASME Y14.5-2009 ANGULAR: MACH ±2° BEND ±2° TWO PLACE DECIMAL ±0.02 THREE PLACE DECIMAL ±0.005</p>	STATE: WORKING 2022-11-21	 <p>1421 SECOND AVE NW STEWARTVILLE, MN 55976 (800) 533-1680 www.geotekinc.com</p>
	DRAWN: BMR 2022-11-21	
<p>PROPRIETARY AND CONFIDENTIAL THE INFORMATION CONTAINED IN THIS DRAWING IS THE SOLE PROPERTY OF GEOTEK. ANY REPRODUCTION IN PART OR AS A WHOLE WITHOUT THE WRITTEN PERMISSION OF GEOTEK IS PROHIBITED.</p>	CHECKED:	DESCRIPTION: TANGENT ASSEMBLY CUSTOM CROSSARM TEMPLATE
	APPROVED:	
<p>THIRD ANGLE PROJECTION</p> 	MATERIAL:	SIZE: DWG. NO. B
	FINISH:	REPLACES:
SCALE: 1:12 WEIGHT: TBD		SHEET 1 OF 1