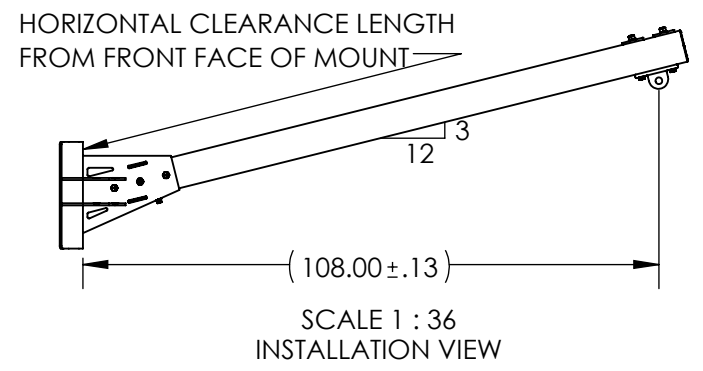
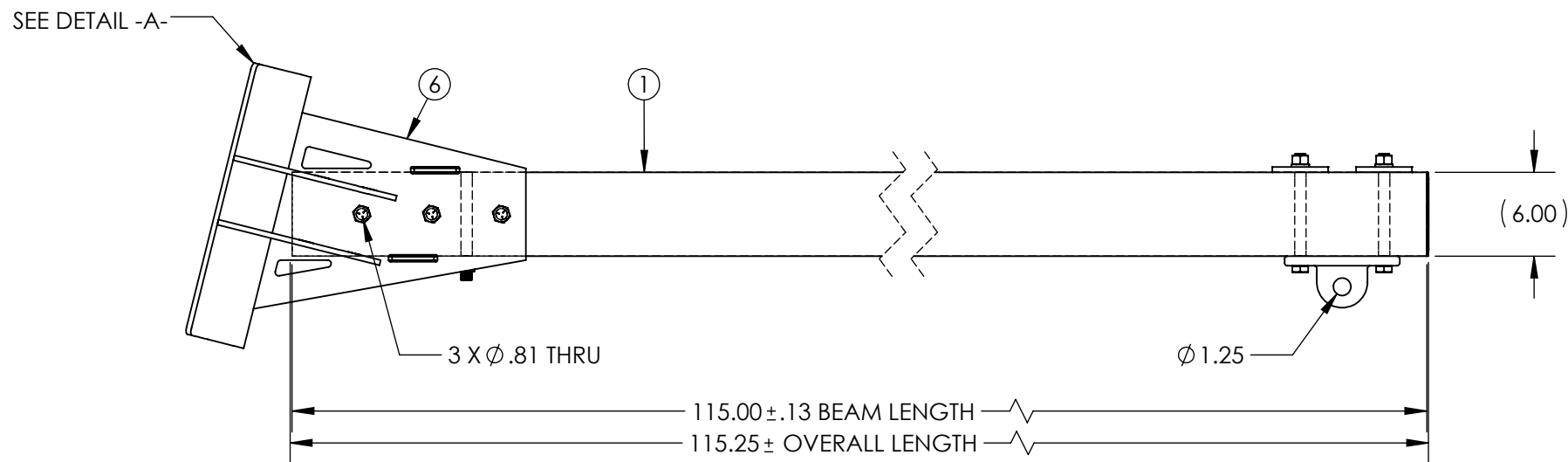
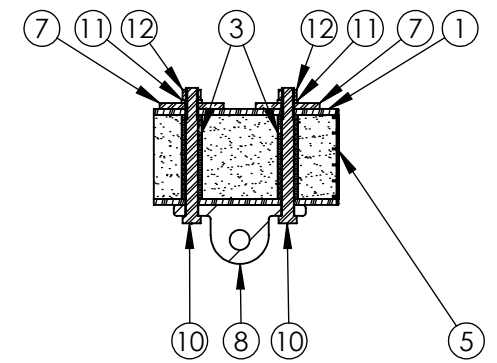
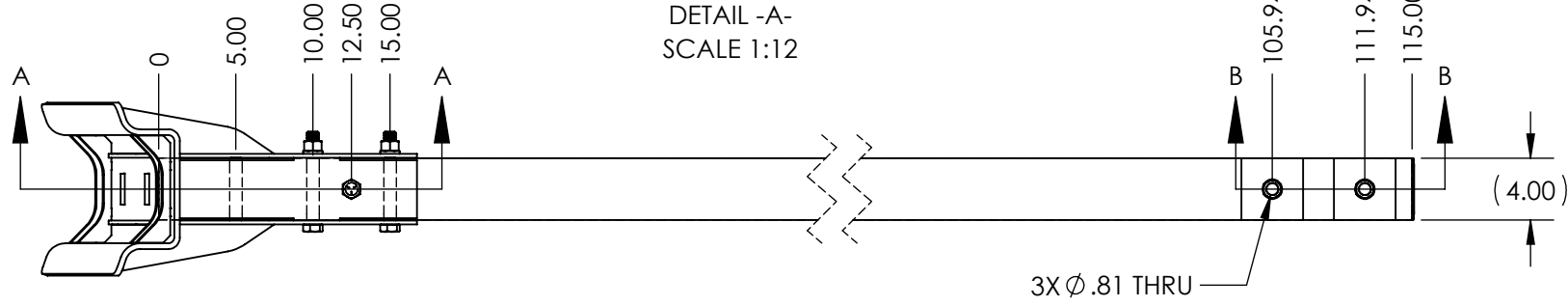
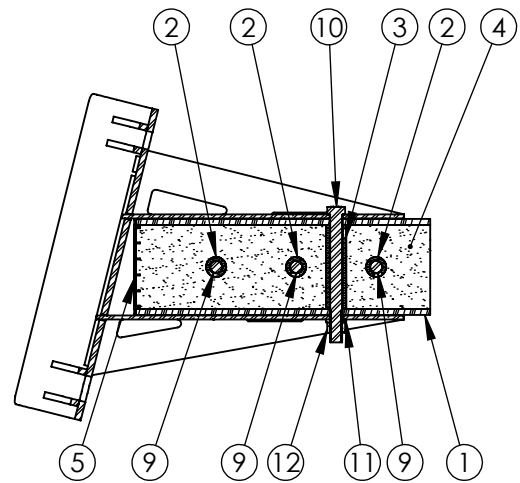
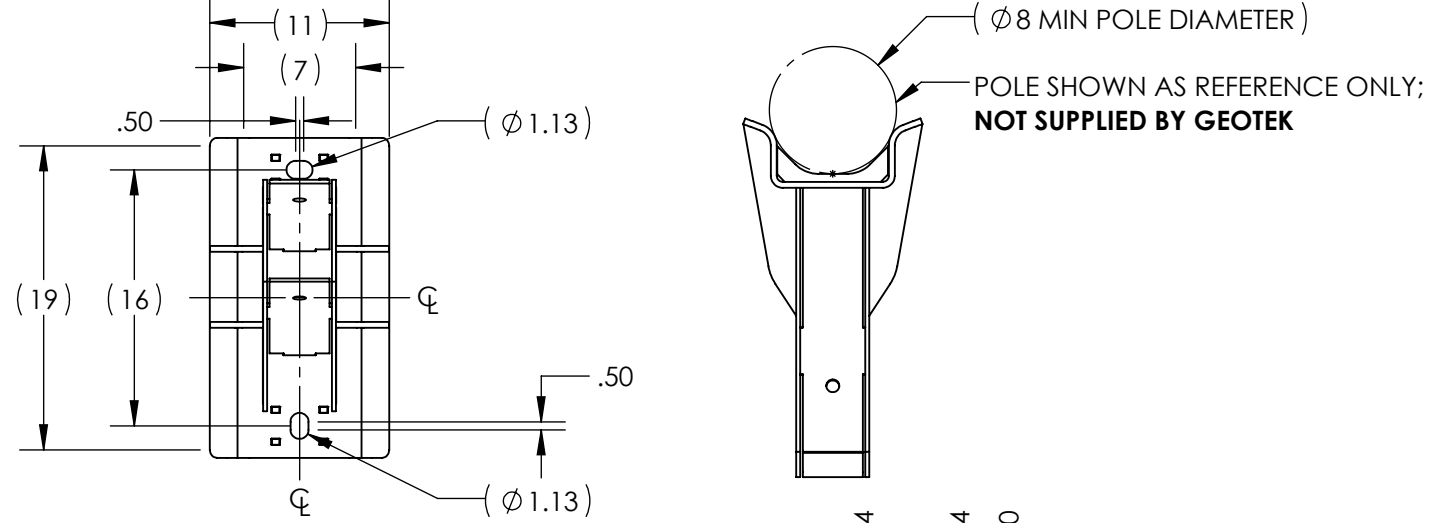


ITEM NO.	PART NUMBER	DESCRIPTION	Description2	QTY.
1	FB-115-4000-2	BEAM, PULTRUDED STOCK	SERIES 4000 x 115 in, GRAY	1
2	TG0813-0054	BUSHING	13/16 in x 3-1/4 in	3
3	TG0813-0053	BUSHING	13/16 in x 5-1/4 in	3
4	FOAM	-	-	1
5	EC40-0006-2	END CAP	SERIES 4000, GRAY	2
6	DVM-AA	MOUNT, DAVIT ARM	TRANSMISSION	1
7	SW0813-0005	SQUARE WASHER	13/16 in, 4 in x 3/8 in	2
8	BK-0223	BRACKET, DEADEND TEE	-	1
9	HB0750-0003	HEX BOLT	3/4 in - 10 x 6 in	3
10	HB0750-0006	HEX BOLT	3/4 in - 10 x 8 in	3
11	LW0750-0001	LOCK WASHER	3/4 in	6
12	HN0750-0001	HEX NUT	3/4 in - 10	6

PUPI[®]
www.pupicrossarms.com

REVISIONS			
REV.	DESCRIPTION	DATE	INITIALS



- NOTES:
- HOLE TO HOLE TOLERANCE ±0.06
 - CALCULATED AVERAGE ULTIMATE VERTICAL LOAD = 3,000 LBS
 - CALCULATED AVERAGE ULTIMATE LONGITUDINAL LOAD = 1,250 LBS
 - CALCULATED AVERAGE ULTIMATE TRANSVERSE TENSION LOAD = 20,000 LBS
 - GEOTEK RECOMMENDS THAT FULLY FACTORED DESIGN TENSION AND WEIGHT PER WIRE, INCLUDING ALL OVERLOAD FACTORS, DOES NOT EXCEED 50% OF THE AVERAGE ULTIMATE STRENGTH PER WIRE OF THE CROSSARM
 - TORQUE ALL FASTENERS TO 85-135 FT-LBS

<p>-----UNLESS OTHERWISE SPECIFIED-----</p> <p>DIMENSIONS ARE IN INCHES</p> <p>INTERPRET DIM AND TOL PER ASME Y14.5-2009</p> <p>ANGULAR: MACH ±2°</p> <p>BEND ±2°</p> <p>TWO PLACE DECIMAL ±0.02</p> <p>THREE PLACE DECIMAL ±0.005</p>	STATE: RELEASED	2021-10-26
	DRAWN: NDH	2021-10-25
	CHECKED: CJM	2021-10-26
	APPROVED: CJM	2021-10-26
<p>PROPRIETARY AND CONFIDENTIAL</p> <p>THE INFORMATION CONTAINED IN THIS DRAWING IS THE SOLE PROPERTY OF GEOTEK. ANY REPRODUCTION IN PART OR AS A WHOLE WITHOUT THE WRITTEN PERMISSION OF GEOTEK IS PROHIBITED.</p>	THIRD ANGLE PROJECTION	
CUSTOMER SIGNATURE:	DATE:	

GEOTEK
A Whole New World of Composites

1421 SECOND AVE NW
STEWARTVILLE, MN 55976
(800) 533-1680
www.geotekinc.com

DESCRIPTION:
DAVIT ARM ASSEMBLY, SERIES 4000
108 in, PUPI SPX

SIZE: DWG. NO.	BEAM COLOR:	REV:
B UA40AA108S1SPX2	GRAY	0.0
SCALE: 1:12	WEIGHT: 154.14 LBS	SHEET 1 OF 1