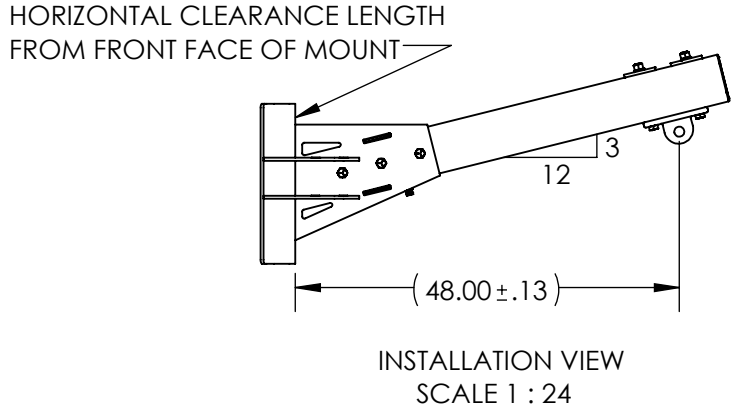
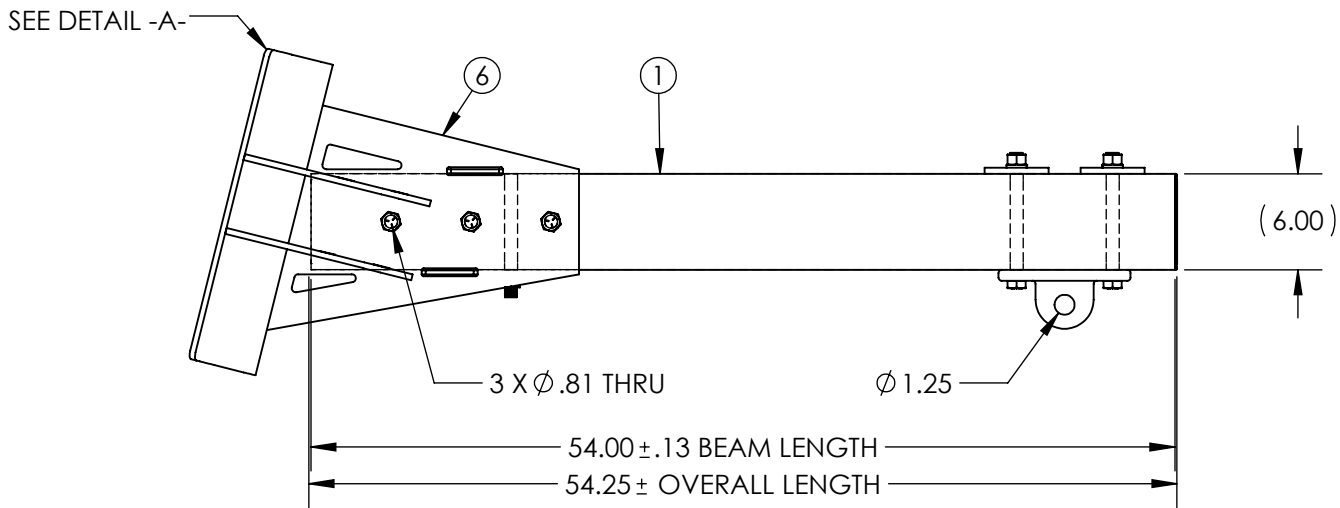
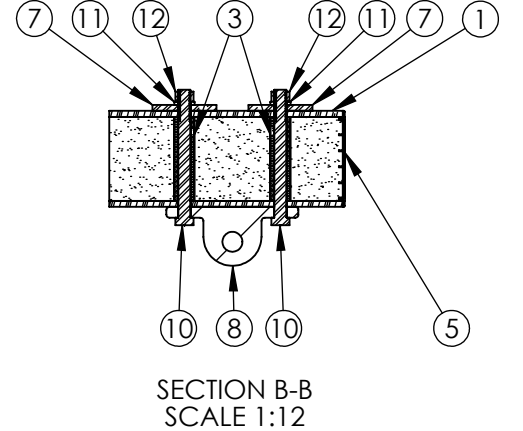
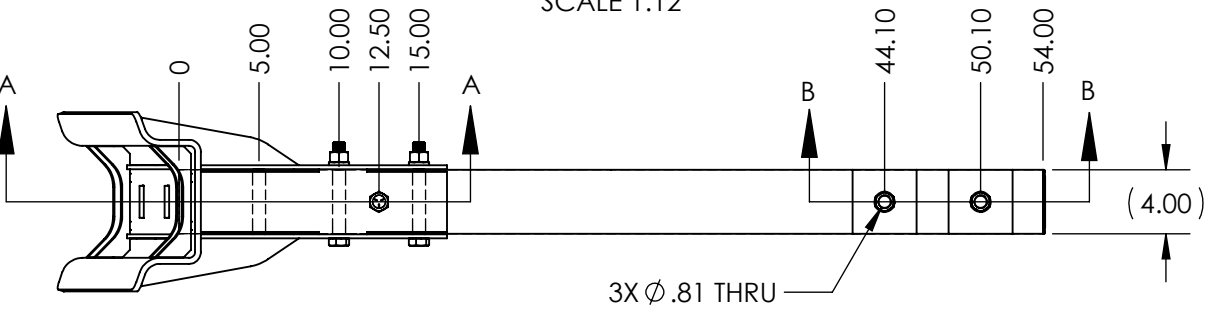
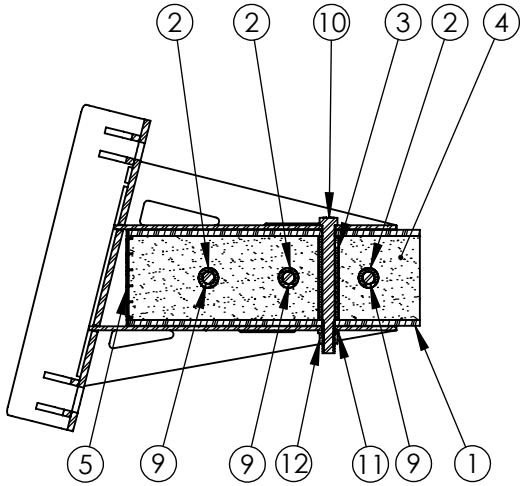
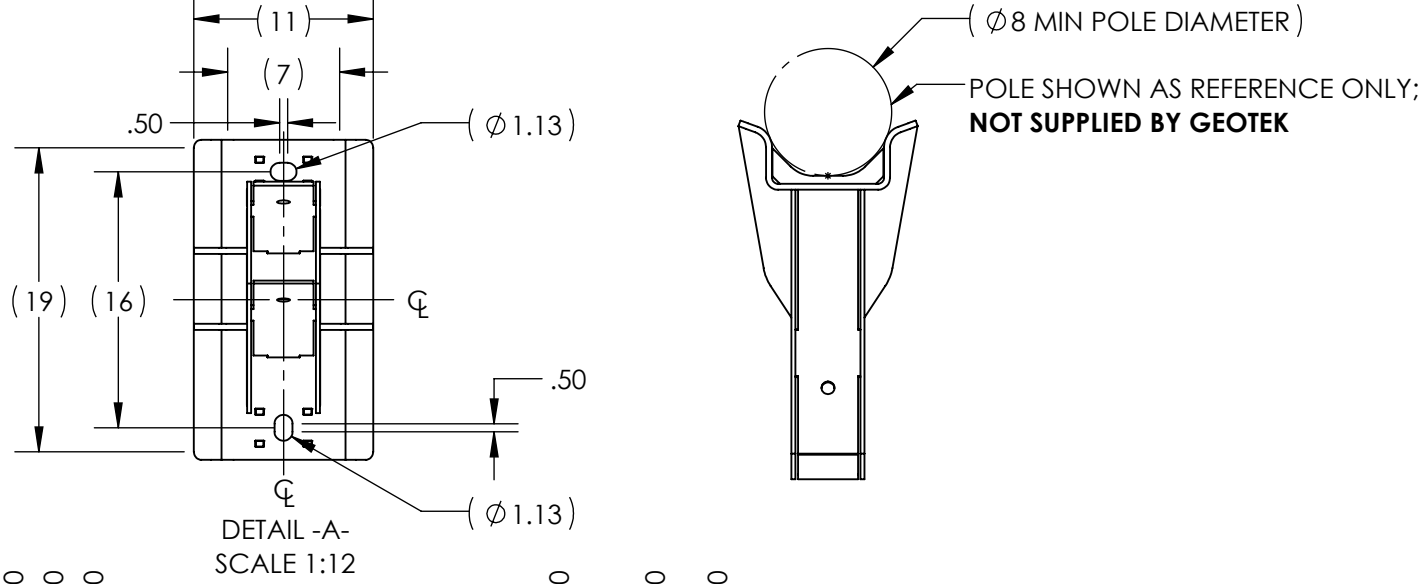


| ITEM NO. | PART NUMBER | DESCRIPTION | Description2 | QTY. |
|----------|---------------|-----------------------|---------------------------|------|
| 1 | FB-054-4000-2 | BEAM, PULTRUDED STOCK | SERIES 4000 x 54 in, GRAY | 1 |
| 2 | TG0813-0054 | BUSHING | 13/16 in x 3-1/4 in | 3 |
| 3 | TG0813-0053 | BUSHING | 13/16 in x 5-1/4 in | 3 |
| 4 | FOAM | - | - | 1 |
| 5 | EC40-0006-2 | END CAP | SERIES 4000, GRAY | 2 |
| 6 | DVM-AA | MOUNT, DAVIT ARM | TRANSMISSION | 1 |
| 7 | SW0813-0005 | SQUARE WASHER | 13/16 in, 4 in x 3/8 in | 2 |
| 8 | BK-0223 | BRACKET, DEADEND TEE | - | 1 |
| 9 | HB0750-0003 | HEX BOLT | 3/4 in - 10 x 6 in | 3 |
| 10 | HB0750-0006 | HEX BOLT | 3/4 in - 10 x 8 in | 3 |
| 11 | LW0750-0001 | LOCK WASHER | 3/4 in | 6 |
| 12 | HN0750-0001 | HEX NUT | 3/4 in - 10 | 6 |

PUPI[®]
www.pupicrossarms.com

| REVISIONS | | | |
|-----------|-------------|------|----------|
| REV. | DESCRIPTION | DATE | INITIALS |
| | | | |



- NOTES:
- HOLE TO HOLE TOLERANCE ±0.06
 - CALCULATED AVERAGE ULTIMATE VERTICAL LOAD = 9,500 LBS
 - CALCULATED AVERAGE ULTIMATE LONGITUDINAL LOAD = 6,500 LBS
 - CALCULATED AVERAGE ULTIMATE TRANSVERSE TENSION LOAD = 25,750 LBS
 - GEOTEK RECOMMENDS THAT FULLY FACTORED DESIGN TENSION AND WEIGHT PER WIRE, INCLUDING ALL OVERLOAD FACTORS, DOES NOT EXCEED 50% OF THE AVERAGE ULTIMATE STRENGTH PER WIRE OF THE CROSSARM
 - TORQUE ALL FASTENERS TO 85-135 FT-LBS

-----UNLESS OTHERWISE SPECIFIED-----
 DIMENSIONS ARE IN INCHES
 INTERPRET DIM AND TOL PER ASME Y14.5-2009
 ANGULAR: MACH ±2°
 BEND ±2°
 TWO PLACE DECIMAL ±0.02
 THREE PLACE DECIMAL ±0.005

STATE: RELEASED 2021-10-26
 DRAWN: NDH 2021-10-25
 CHECKED: CJM 2021-10-26
 APPROVED: CJM 2021-10-26
 REPLACES: -

THIRD ANGLE PROJECTION

GEOTEK
A Whole New World of Composites

1421 SECOND AVE NW
 STEWARTVILLE, MN 55976
 (800) 533-1680
 www.geotekinc.com

DESCRIPTION:
DAVIT ARM ASSEMBLY, SERIES 4000
48 in, PUPI SPX

| | | |
|--------------------------|--------------------|--------------|
| SIZE: DWG. NO. | BEAM COLOR: | REV: |
| B UA40AA048S1SPX2 | GRAY | 0.0 |
| SCALE: 1:12 | WEIGHT: 124.75 LBS | SHEET 1 OF 1 |