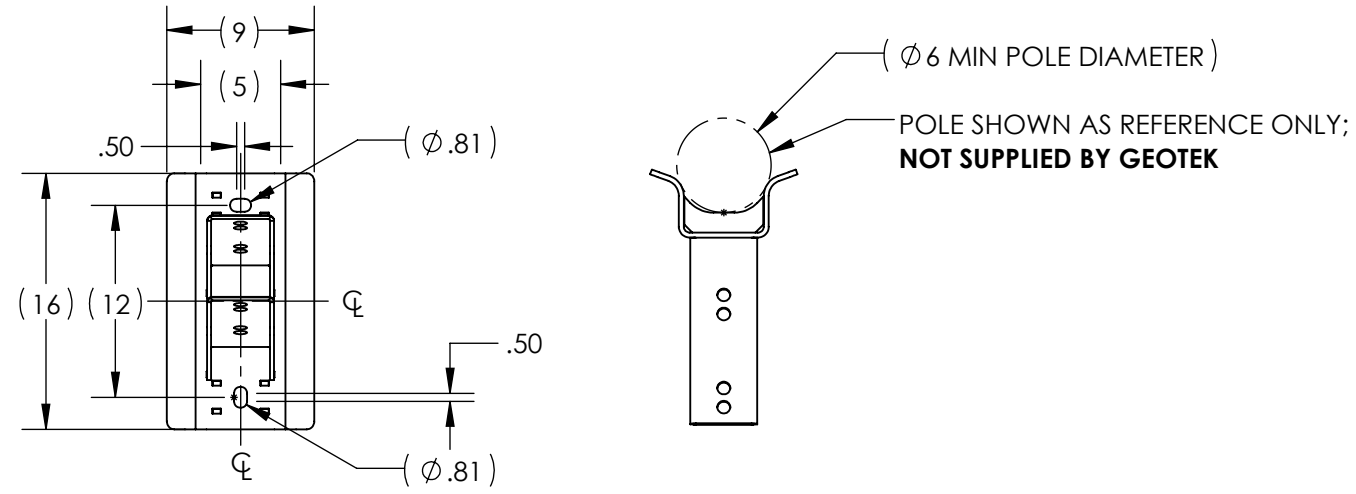


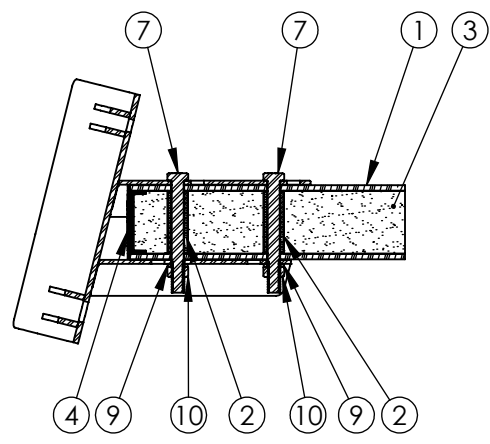
ITEM NO.	PART NUMBER	DESCRIPTION	Description2	QTY.
1	FB-075-3000-2	BEAM, PULTRUDED STOCK	SERIES 3000 x 75 in, GRAY	1
2	TG0813-0041	BUSHING	13/16 in x 3-15/16 in	3
3	FOAM	-	-	1
4	EC30-0002-2	END CAP	SERIES 3000, GRAY	2
5	DVM-AE	MOUNT, DAVIT ARM	TRANSMISSION, LIGHT DUTY	1
6	TR0750-0002	THREADED ROD	3/4 in - 10 x 8 in	1
7	HB0750-0012	HEX BOLT	3/4 in - 10 x 7 in	2
8	SW0813-0003	SQUARE WASHER	13/16 in, 3-1/2 in x 3/8 in	2
9	LW0750-0001	LOCK WASHER	3/4 in	3
10	HN0750-0001	HEX NUT	3/4 in - 10	3
11	EN0750-0002	EYE NUT	3/4 in - 10	1

**PUPI**<sup>®</sup>  
www.pupicrossarms.com

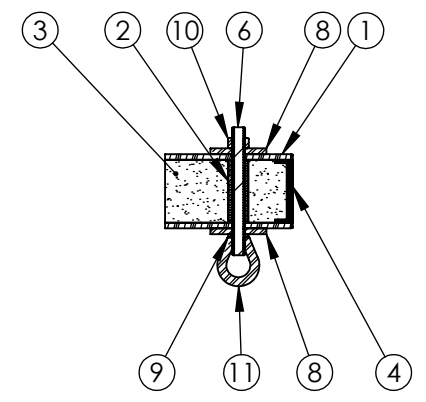
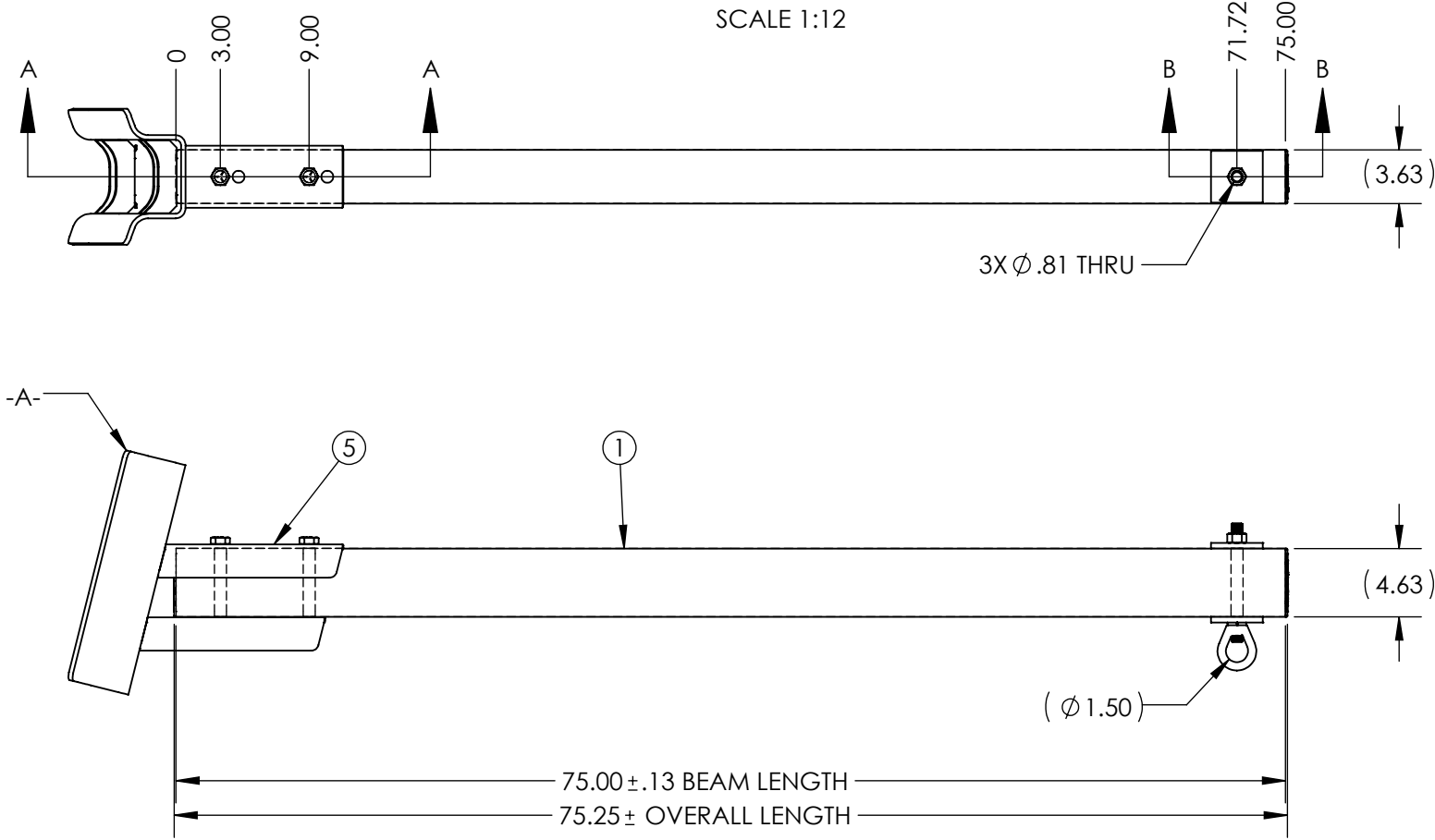
REVISIONS			
REV.	DESCRIPTION	DATE	INITIALS



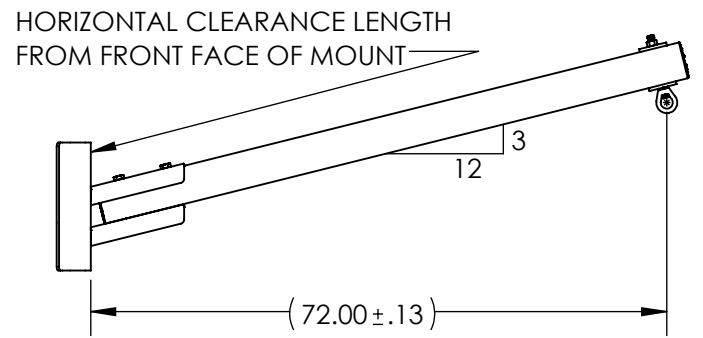
DETAIL -A-  
SCALE 1:12



SECTION A-A  
SCALE 1:12




SECTION B-B  
SCALE 1:12



INSTALLATION VIEW  
SCALE 1:24

- NOTES:
- HOLE TO HOLE TOLERANCE ±0.06
  - CALCULATED AVERAGE ULTIMATE VERTICAL LOAD = 3,250 LBS
  - CALCULATED AVERAGE ULTIMATE LONGITUDINAL LOAD = 1,500 LBS
  - CALCULATED AVERAGE ULTIMATE TRANSVERSE LOAD = 12,750 LBS
  - GEOTEK RECOMMENDS THAT FULLY FACTORED DESIGN TENSION AND WEIGHT PER WIRE, INCLUDING ALL OVERLOAD FACTORS, DOES NOT EXCEED 50% OF THE AVERAGE ULTIMATE STRENGTH PER WIRE OF THE CROSSARM
  - TORQUE ALL FASTENERS TO 85-135 FT-LBS

<p>-----UNLESS OTHERWISE SPECIFIED-----</p> <p>DIMENSIONS ARE IN INCHES</p> <p>INTERPRET DIM AND TOL PER ASME Y14.5-2009</p> <p>ANGULAR: MACH ±2°</p> <p>BEND ±2°</p> <p>TWO PLACE DECIMAL ±0.02</p> <p>THREE PLACE DECIMAL ±0.005</p>	STATE: RELEASED	2021-10-26
	DRAWN: NDH	2021-10-26
	CHECKED: CJM	2021-10-26
	APPROVED: CJM	2021-10-26
REPLACES:	-	
<p><b>PROPRIETARY AND CONFIDENTIAL</b></p> <p>THE INFORMATION CONTAINED IN THIS DRAWING IS THE SOLE PROPERTY OF GEOTEK. ANY REPRODUCTION IN PART OR AS A WHOLE WITHOUT THE WRITTEN PERMISSION OF GEOTEK IS PROHIBITED.</p>	THIRD ANGLE PROJECTION	
CUSTOMER SIGNATURE:	DATE:	



**GEOTEK**  
*A Whole New World of Composites*

1421 SECOND AVE NW  
STEWARTVILLE, MN 55976  
(800) 533-1680  
www.geotekinc.com

DESCRIPTION:  
**DAVIT ARM ASSEMBLY, SERIES 3000**  
**72 in, PUPI SPX**

SIZE: DWG. NO.	BEAM COLOR:	REV:
<b>B UA30AE072S1SPX2</b>	<b>GRAY</b>	<b>0.0</b>
SCALE: 1:12	WEIGHT: 70.63 LBS	SHEET 1 OF 1