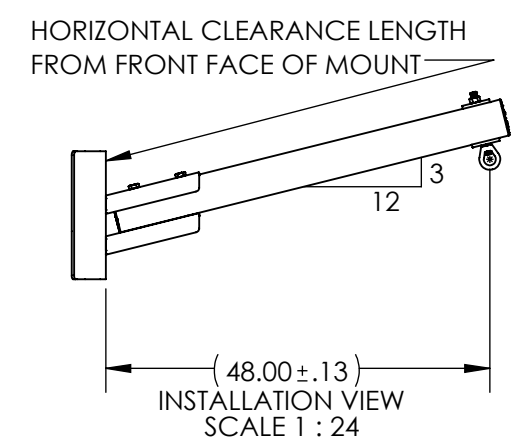
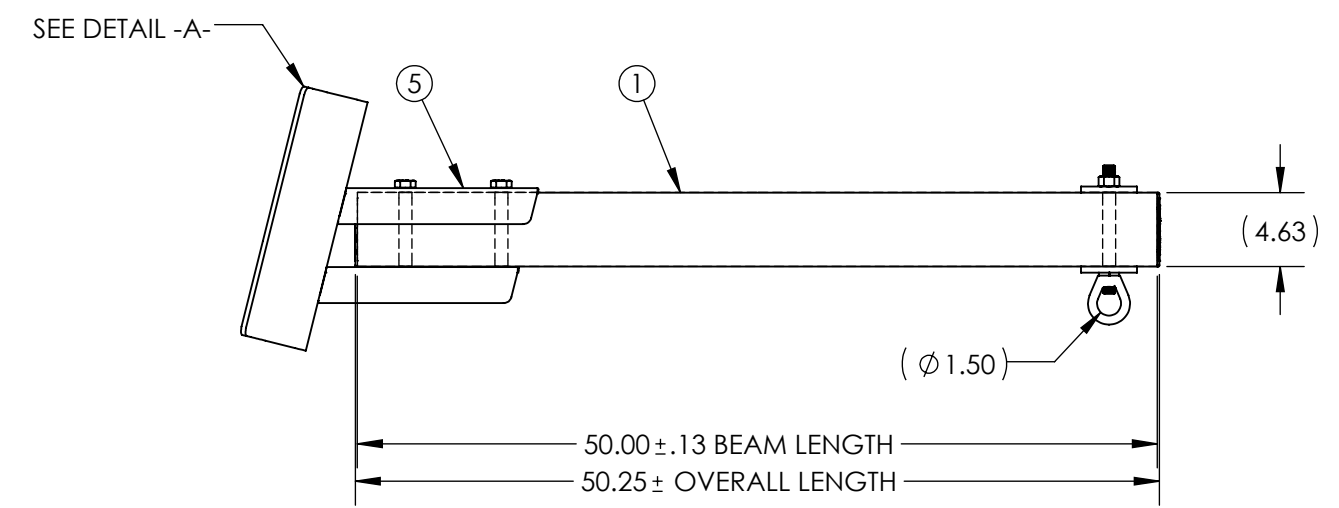
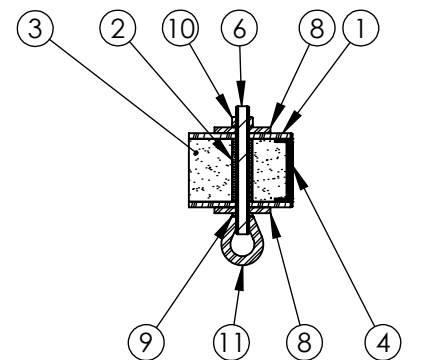
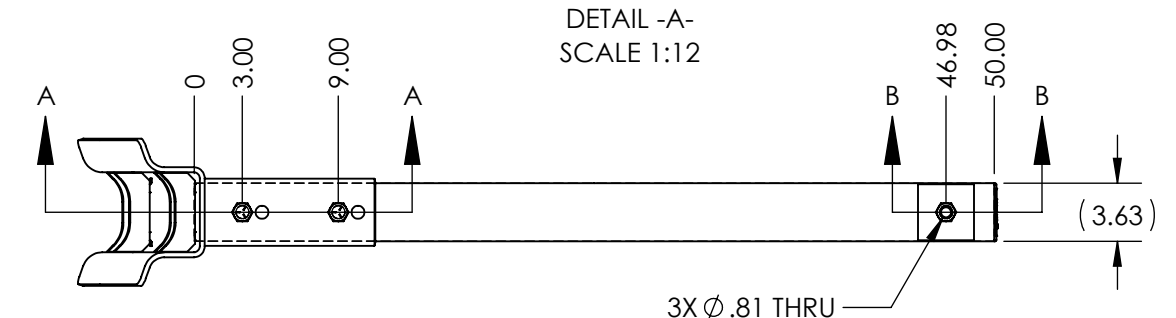
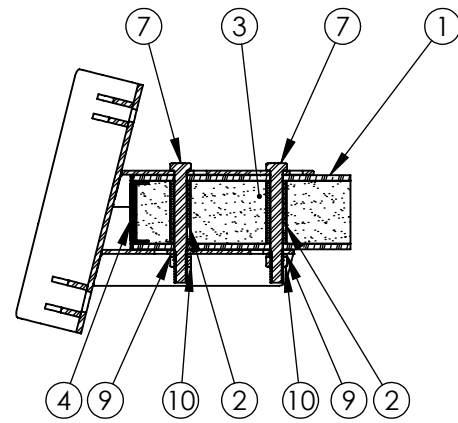
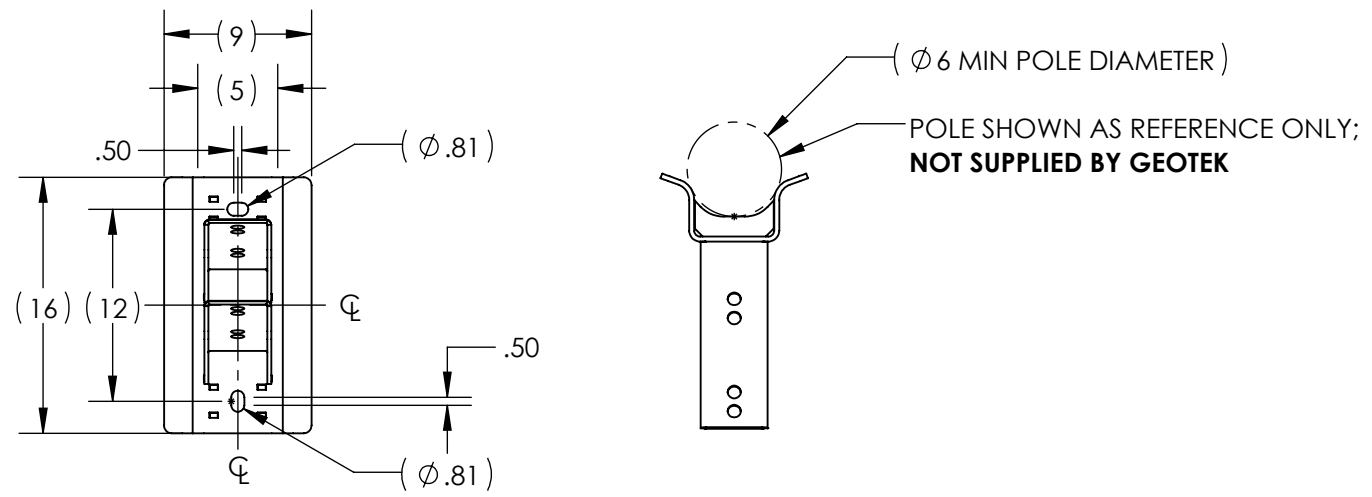


ITEM NO.	PART NUMBER	DESCRIPTION	Description2	QTY.
1	FB-050-3000-2	BEAM, PULTRUDED STOCK	SERIES 3000 x 50 in, GRAY	1
2	TG0813-0041	BUSHING	13/16 in x 3-15/16 in	3
3	FOAM	-	-	1
4	EC30-0002-2	END CAP	SERIES 3000, GRAY	2
5	DVM-AE	MOUNT, DAVIT ARM	TRANSMISSION, LIGHT DUTY	1
6	TR0750-0002	THREADED ROD	3/4 in - 10 x 8 in	1
7	HB0750-0012	HEX BOLT	3/4 in - 10 x 7 in	2
8	SW0813-0003	SQUARE WASHER	13/16 in, 3-1/2 in x 3/8 in	2
9	LW0750-0001	LOCK WASHER	3/4 in	3
10	HN0750-0001	HEX NUT	3/4 in - 10	3
11	EN0750-0002	EYE NUT	3/4 in - 10	1

PUPI[®]
www.pupicrossarms.com

REVISIONS			
REV.	DESCRIPTION	DATE	INITIALS



- NOTES:
- HOLE TO HOLE TOLERANCE ±0.06
 - CALCULATED AVERAGE ULTIMATE VERTICAL LOAD = 5,000 LBS
 - CALCULATED AVERAGE ULTIMATE LONGITUDINAL LOAD = 2,750 LBS
 - CALCULATED AVERAGE ULTIMATE TRANSVERSE LOAD = 12,750 LBS
 - GEOTEK RECOMMENDS THAT FULLY FACTORED DESIGN TENSION AND WEIGHT PER WIRE, INCLUDING ALL OVERLOAD FACTORS, DOES NOT EXCEED 50% OF THE AVERAGE ULTIMATE STRENGTH PER WIRE OF THE CROSSARM
 - TORQUE ALL FASTENERS TO 85-135 FT-LBS

-----UNLESS OTHERWISE SPECIFIED----- DIMENSIONS ARE IN INCHES INTERPRET DIM AND TOL PER ASME Y14.5-2009 ANGULAR: MACH ±2° BEND ±2° TWO PLACE DECIMAL ±0.02 THREE PLACE DECIMAL ±0.005			STATE: RELEASED 2021-10-26
PROPRIETARY AND CONFIDENTIAL THE INFORMATION CONTAINED IN THIS DRAWING IS THE SOLE PROPERTY OF GEOTEK. ANY REPRODUCTION IN PART OR AS A WHOLE WITHOUT THE WRITTEN PERMISSION OF GEOTEK IS PROHIBITED.			DRAWN: NDH 2021-10-25
CUSTOMER SIGNATURE:			CHECKED: CJM 2021-10-26
DATE:			APPROVED: CJM 2021-10-26
THIRD ANGLE PROJECTION			REPLACES: -

GEOTEK
A Whole New World of Composites

1421 SECOND AVE NW
STEWARTVILLE, MN 55976
(800) 533-1680
www.geotekinc.com

DESCRIPTION:
DAVIT ARM ASSEMBLY, SERIES 3000
48 in, PUPI SPX

SIZE: DWG. NO.	BEAM COLOR:	REV:
B UA30AE048S1SPX2	GRAY	0.0

SCALE: 1:12 | WEIGHT: 61.74 LBS | SHEET 1 OF 1