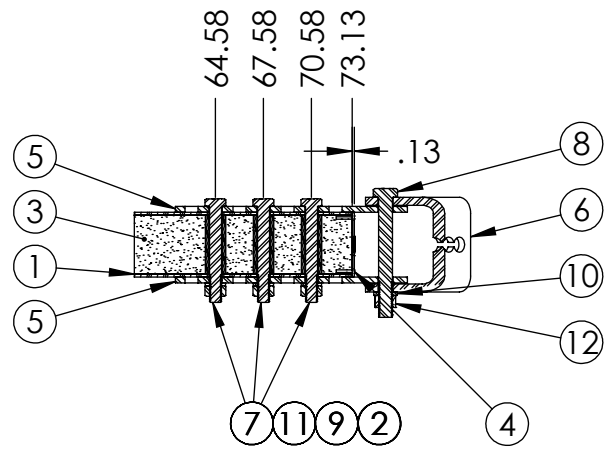


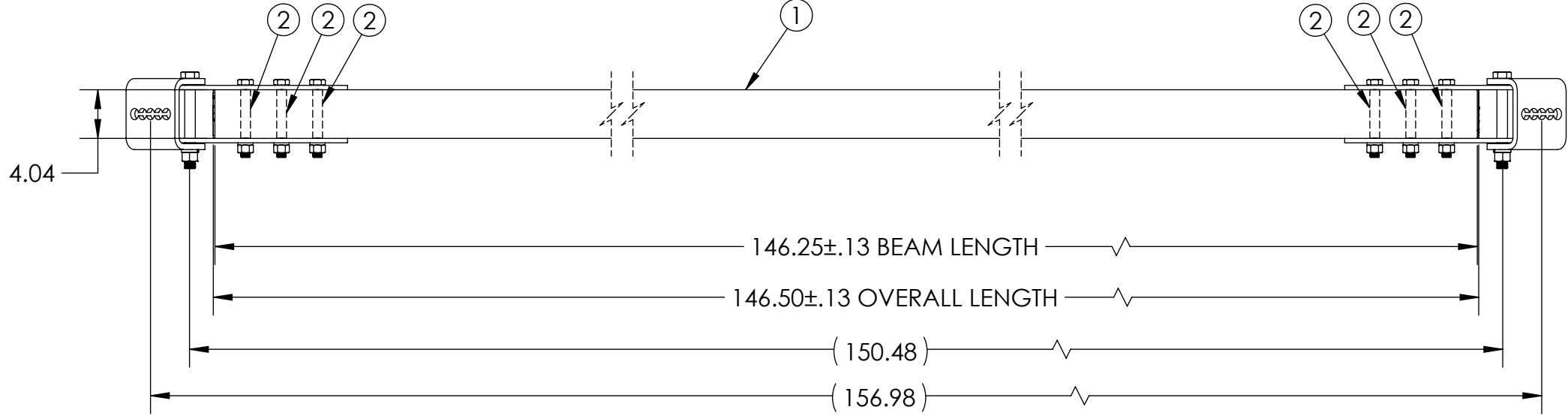
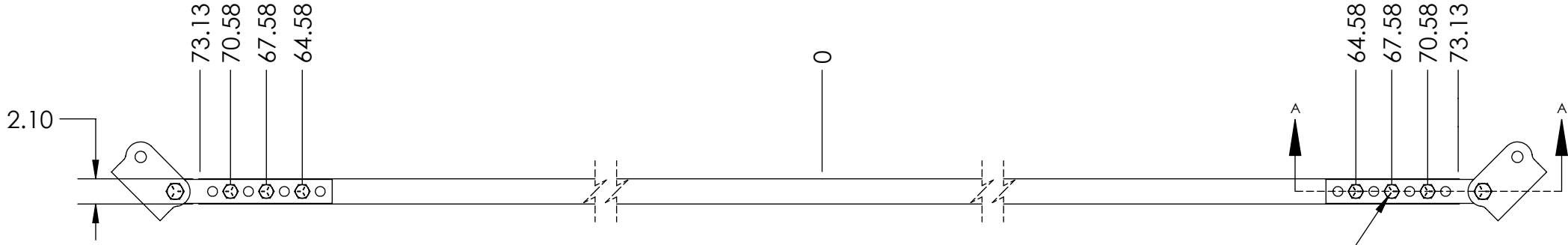
ITEM NO.	PART NUMBER	DESCRIPTION	DESCRIPTION 2	QTY
1	FB-146-3-1000-2	BEAM, PULTRUDED STOCK	SERIES 1000 x 146-1/4 in, GRAY	1
2	TG0813-0017	BUSHING	13/16 in x 3-11/16 in	6
3	FOAM	-	-	1
4	EC10-0007-2	END CAP	SERIES 1000, GRAY	2
5	PL-0170	PLATE, BRACE	SERIES 1000	4
6	BK-0316	BRACKET, TEE	BRACE FITTING	2
7	HB0750-0003	HEX BOLT	3/4 in - 10 x 6 in	6
8	HB0875-0060	HEX BOLT	7/8 in - 9 x 7-1/2 in	2
9	LW0750-0001	LOCK WASHER	3/4 in	6
10	LW0875-0010	LOCK WASHER	7/8 in	2
11	HN0750-0001	HEX NUT	3/4 in - 10	6
12	HN0875-0006	HEX NUT	7/8 in - 9	2



REVISIONS				
ECO	REV.	DESCRIPTION	DATE	INITIALS



SECTION A-A



NOTES:
1. CENTER OF MOUNT HOLE(S) TO HOLES TOLERANCE ±0.06

---UNLESS OTHERWISE SPECIFIED--- DIMENSIONS ARE IN INCHES INTERPRET DIM AND TOL PER ASME Y14.5-2009 ANGULAR: MACH ±2° BEND ±2° ONE PLACE DECIMAL ±0.1 TWO PLACE DECIMAL ±0.02	STATE: RELEASED	2021-03-19
	DRAWN: NDH	2021-03-16
	CHECKED: BMR	2021-03-19
	APPROVED: BMR	2021-03-19
REPLACES: -		
PROPRIETARY AND CONFIDENTIAL THE INFORMATION CONTAINED IN THIS DRAWING IS THE SOLE PROPERTY OF GEOTEK. ANY REPRODUCTION IN PART OR AS A WHOLE WITHOUT THE WRITTEN PERMISSION OF GEOTEK IS PROHIBITED.	THIRD ANGLE PROJECTION	
CUSTOMER SIGNATURE:	DATE:	



1421 SECOND AVE NW
STEWARTVILLE, MN 55976
(800) 533-1680
www.geotekinc.com

DESCRIPTION: KNEE BRACE ASSEMBLY, SERIES 1000 156.98 in		
SIZE: DWG. NO.	BEAM COLOR:	REV:
B K0157TM81H32	GRAY	0.0
SCALE: 1:12	WEIGHT: 61 LBS	SHEET 1 OF 1