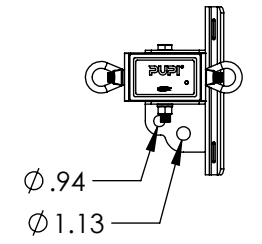
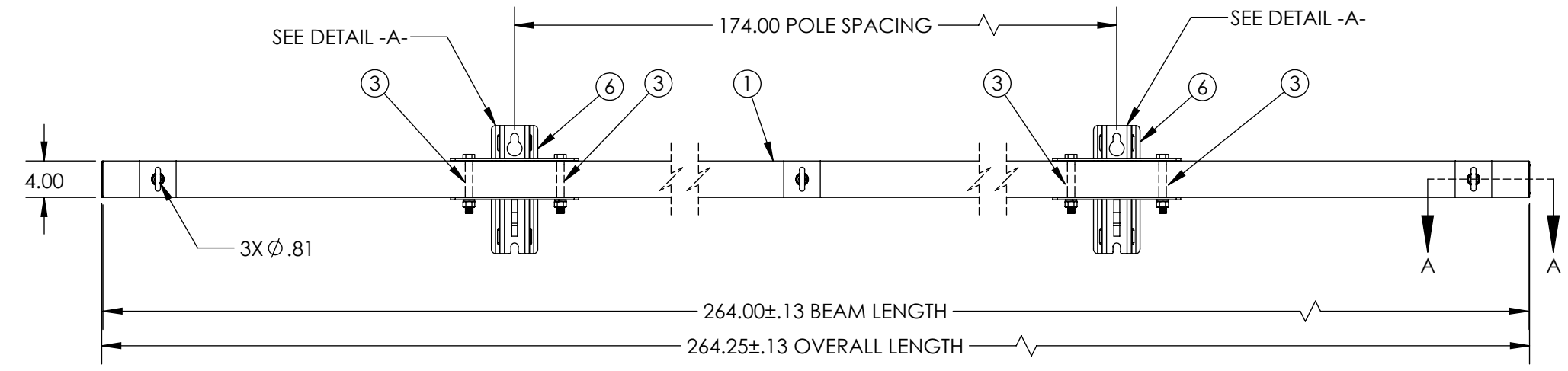
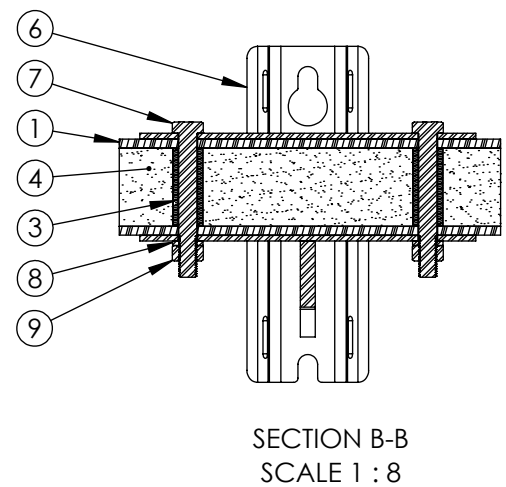
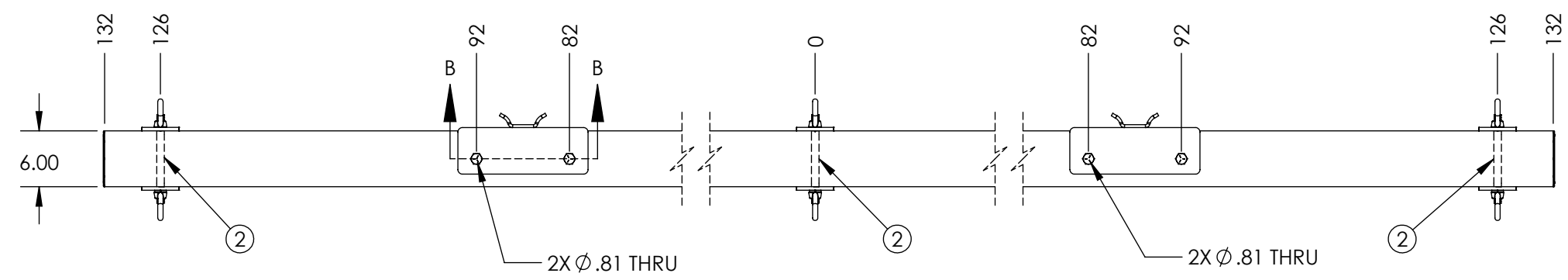
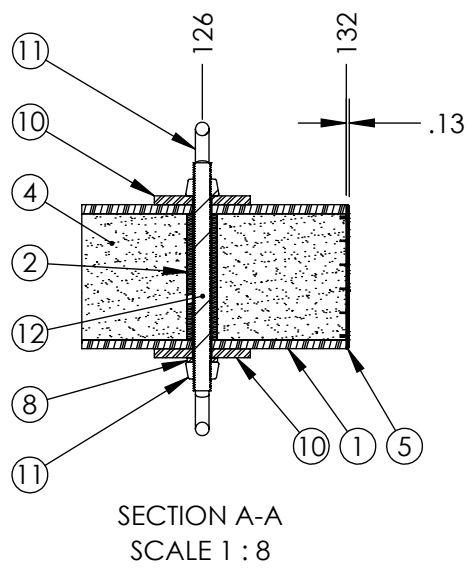
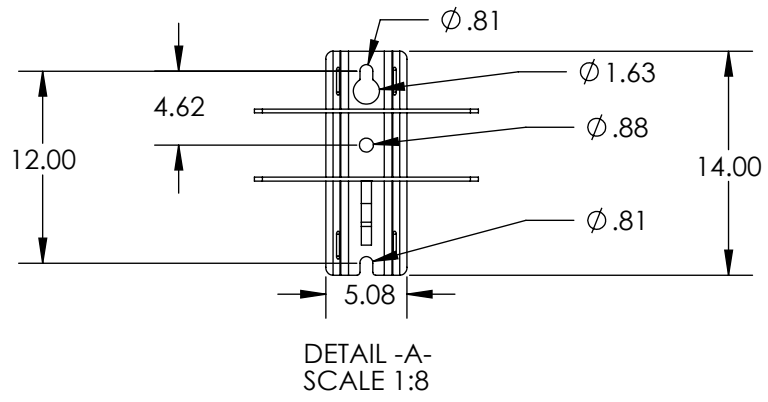


ITEM NO.	PART NUMBER	DESCRIPTION	DESCRIPTION 2	QTY
1	FB-264-4000-2	BEAM, PULTRUDED STOCK	SERIES 4000 x 264 in, GRAY	1
2	TG0813-0053	BUSHING	13/16 in x 5-1/4 in	3
3	TG0813-0054	BUSHING	13/16 in x 3-1/4 in	4
4	FOAM	-	-	1
5	EC40-0006-2	END CAP	SERIES 4000, GRAY	2
6	DM-0006	MOUNT ASSEMBLY, DEADEND	4KLH	2
7	HBO750-0003	HEX BOLT	3/4 in - 10 x 6 in	4
8	LW0750-0001	LOCK WASHER	3/4 in	7
9	HN0750-0001	HEX NUT	3/4 in - 10	4
10	SW0813-0005	SQUARE WASHER	13/16 in, 4 in x 3/8 in	6
11	EN0750-0002	EYE NUT	3/4 in - 10	6
12	TR0750-0003	THREADED ROD	3/4 in - 10 x 9-1/2 in	3

PUPI[®]
www.pupicrossarms.com

REVISIONS				
REV.	DESCRIPTION	DATE	INITIALS	ECO
0.1	REMOVE NOTE 2	2013-09-25	BRH	
0.2	UPDATE DRAWING FORMAT	2016-09-14	RAF	
0.3	CLEAN CORRUPTION WITHIN FILE	2016-11-15	RAF	
0.4	ADD LOAD RATINGS	2017-09-14	AJH	3610
0.5	CORRECTED LOAD RATING VALUES	2018-06-27	JCW	
0.6	UPDATE LOAD NOTE ROUNDING AND ADD NOTE #5	2020-12-29	NDH	5078



NOTES:
 1. CENTER OF MOUNT HOLE(S) TO HOLES TOLERANCE ±0.06
 2. USE 3/4" HARDWARE TO ATTACH DEAD-END MOUNTS TO POLES (**NOT SUPPLIED BY GEOTEK**)
 3. CALCULATED AVERAGE ULTIMATE LONGITUDINAL LOAD = 14,750 LBS PER WIRE, 3 WIRES
 4. CALCULATED AVERAGE ULTIMATE VERTICAL LOAD = 11,500 LBS PER WIRE, 3 WIRES
 5. GEOTEK RECOMMENDS THAT FULLY FACTORED DESIGN TENSION AND WEIGHT PER WIRE, INCLUDING ALL OVERLOAD FACTORS, DOES NOT EXCEED 50% OF THE AVERAGE ULTIMATE STRENGTH PER WIRE OF THE CROSSARM

0.5 0.6

---UNLESS OTHERWISE SPECIFIED---
 DIMENSIONS ARE IN INCHES
 INTERPRET DIM AND TOL PER ASME Y14.5-2009
 ANGULAR: MACH ±2°
 BEND ±2°
 ONE PLACE DECIMAL ±0.1
 TWO PLACE DECIMAL ±0.02

STATE:	RELEASED	2020-12-29
DRAWN:	RAF	2013-04-23
CHECKED:	TAL	2020-12-29
APPROVED:	NDH	2020-12-29
REPLACES:		



1421 SECOND AVE NW
 STEWARTVILLE, MN 55976
 (800) 533-1680
 www.geotekinc.com

PROPRIETARY AND CONFIDENTIAL
 THE INFORMATION CONTAINED IN THIS DRAWING IS THE SOLE PROPERTY OF GEOTEK. ANY REPRODUCTION IN PART OR AS A WHOLE WITHOUT THE WRITTEN PERMISSION OF GEOTEK IS PROHIBITED.

THIRD ANGLE PROJECTION

 CUSTOMER SIGNATURE: _____ DATE: _____

DESCRIPTION:
DEADEND ASSEMBLY, SERIES 4000
264 in, RUS 42

SIZE: DWG. NO.	BEAM COLOR:	REV:
B DD4000264E342H2	GRAY	0.6
SCALE: 1:16	WEIGHT: 187 LBS	SHEET 1 OF 1