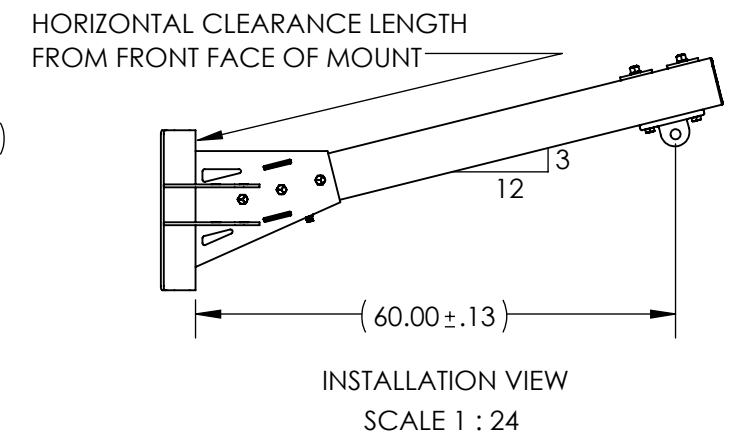
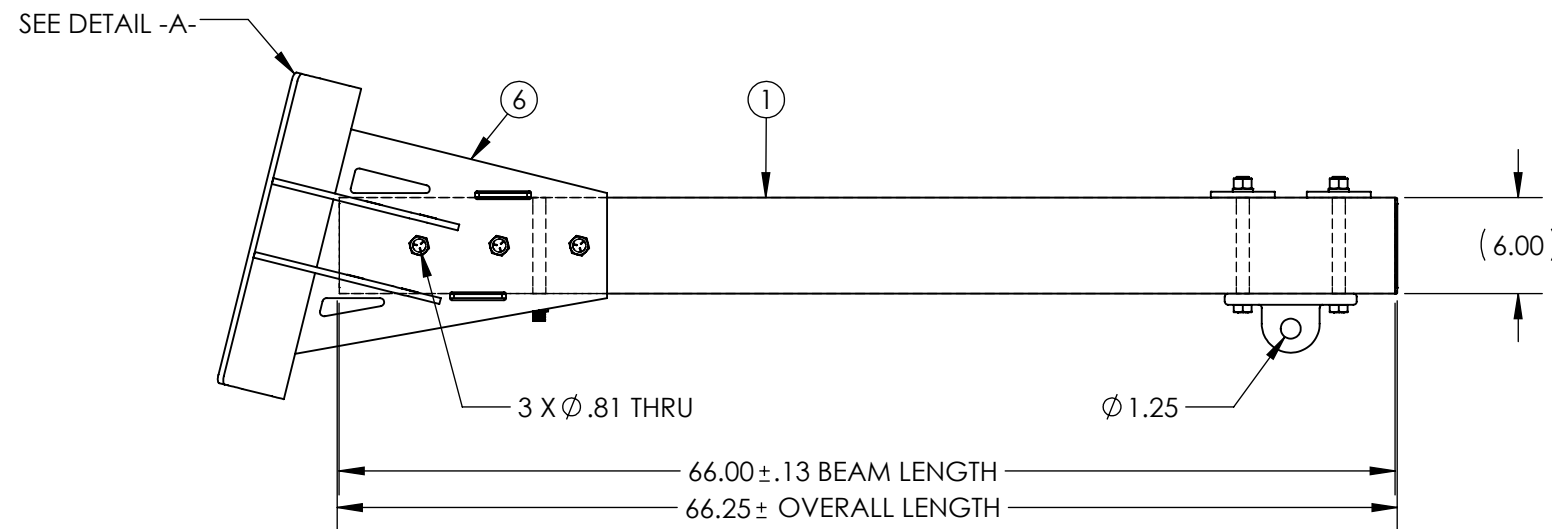
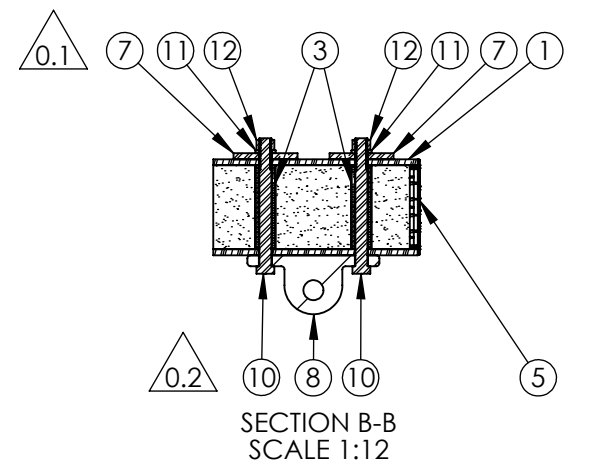
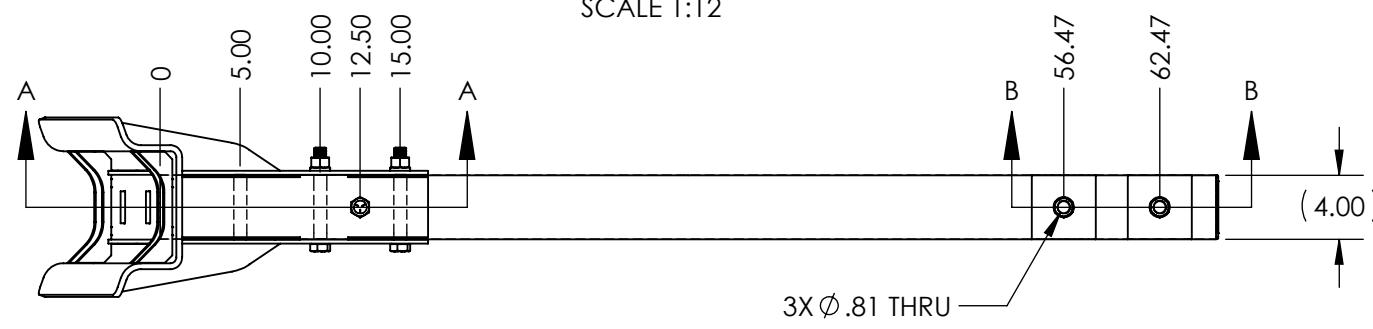
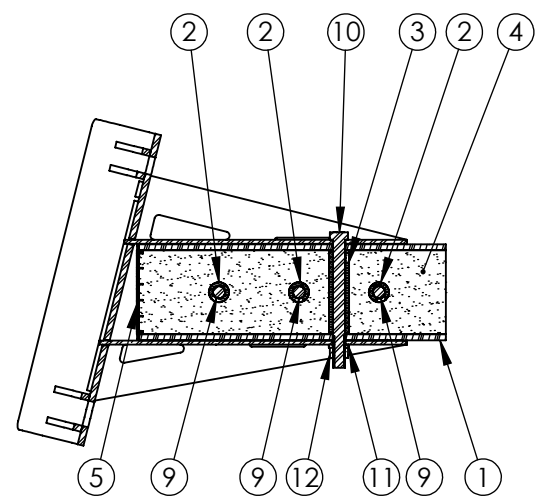
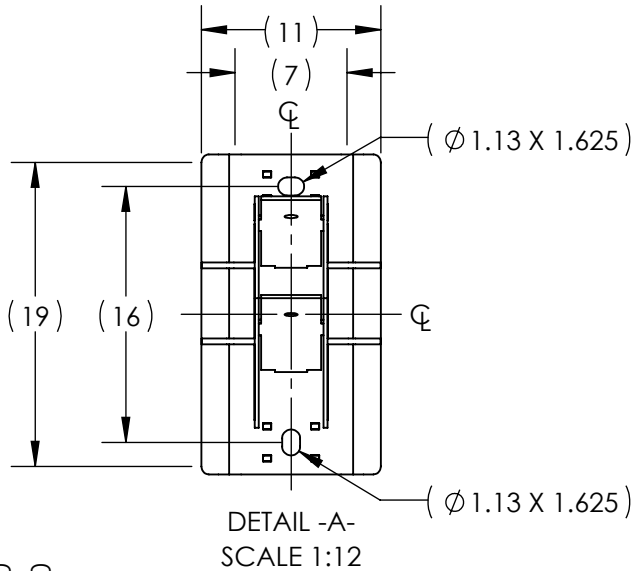


ITEM NO.	PART NUMBER	DESCRIPTION	Description2	QTY.
1	FB-066-4000-2	BEAM, PULTRUDED STOCK	SERIES 4000 x 66 in, GRAY	1
2	TG0813-0054	BUSHING	13/16 in x 3-1/4 in	3
3	TG0813-0053	BUSHING	13/16 in x 5-1/4 in	3
4	FOAM	-	-	1
5	EC40-0006-2	END CAP	SERIES 4000, GRAY	2
6	DVM-AA	MOUNT, DAVIT ARM	TRANSMISSION	1
7	SW0813-0005	SQUARE WASHER	13/16 in, 4 in x 3/8 in	2
8	BK-0223	BRACKET, DEADEND TEE	-	1
9	HB0750-0003	HEX BOLT	3/4 in - 10 x 6 in	3
10	HB0750-0006	HEX BOLT	3/4 in - 10 x 8 in	3
11	LW0750-0001	LOCK WASHER	3/4 in	6
12	HN0750-0001	HEX NUT	3/4 in - 10	6

PUPI[®]
www.pupicrossarms.com

REVISIONS			
REV.	DESCRIPTION	DATE	INITIALS
0.1	REPLACE PL-0091 WITH MULTIPLE SW0813-0005 AND UPDATE LOAD RATINGS	2018-10-25	NDH
0.2	REPLACE HB0750-0016 WITH HB0750-0006	2019-03-19	NDH



- NOTES:
- HOLE TO HOLE TOLERANCE ±0.06
 - CALCULATED AVERAGE ULTIMATE VERTICAL LOAD = 7,000 LBS
 - CALCULATED AVERAGE ULTIMATE LONGITUDINAL LOAD = 5,750 LBS
 - CALCULATED AVERAGE ULTIMATE TRANSVERSE TENSION LOAD = 24,500 LBS
 - CALCULATED AVERAGE ULTIMATE TRANSVERSE COMPRESSION LOAD = 24,500 LBS
 - GEOTEK RECOMMENDS THAT MAXIMUM WORKING LOAD IS NOT TO EXCEED 50% OF CALCULATED ULTIMATE LOAD
 - TORQUE ALL FASTENERS TO 85-135 FT-LBS

-----UNLESS OTHERWISE SPECIFIED----- DIMENSIONS ARE IN INCHES INTERPRET DIM AND TOL PER ASME Y14.5-2009 ANGULAR: MACH ±2° BEND ±2° TWO PLACE DECIMAL ±0.02 THREE PLACE DECIMAL ±0.005			STATE: RELEASED 2019-06-05
PROPRIETARY AND CONFIDENTIAL THE INFORMATION CONTAINED IN THIS DRAWING IS THE SOLE PROPERTY OF GEOTEK. ANY REPRODUCTION IN PART OR AS A WHOLE WITHOUT THE WRITTEN PERMISSION OF GEOTEK IS PROHIBITED.			DRAWN: NDH 2017-11-22
CUSTOMER SIGNATURE:			CHECKED: NDH 2019-06-05
DATE:			APPROVED: NDH 2019-06-05
THIRD ANGLE PROJECTION			REPLACES: -

GEOTEK
A Whole New World of Composites

1421 SECOND AVE NW
STEWARTVILLE, MN 55976
(800) 533-1680
www.geotekinc.com

DESCRIPTION:
**DAVIT ARM ASSEMBLY, SERIES 4000
60 in, CUSTOM SPECIFICATION**

SIZE: DWG. NO. B UA40AA060S10022	BEAM COLOR: GRAY	REV: 0.2
SCALE: 1:12 WEIGHT: 130.52 LBS		SHEET 1 OF 1