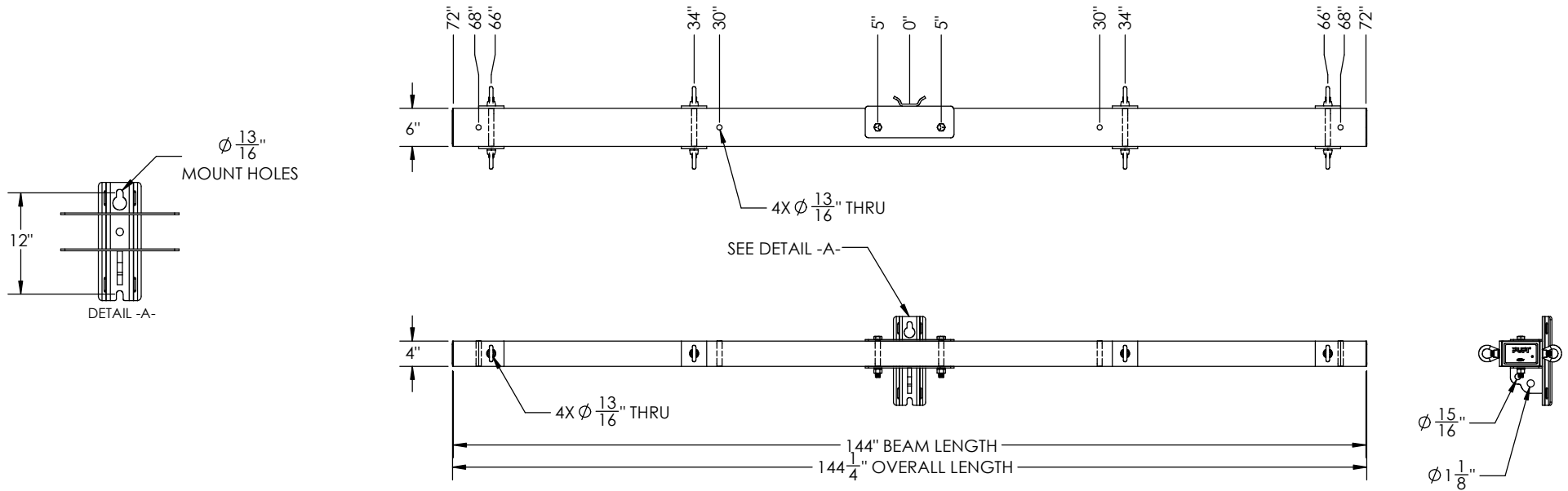


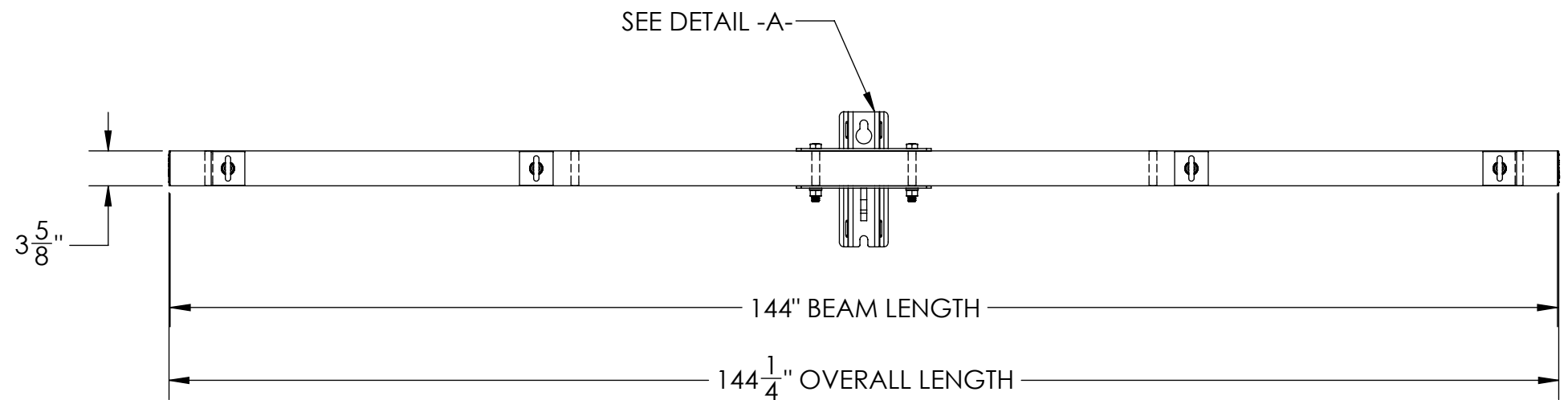
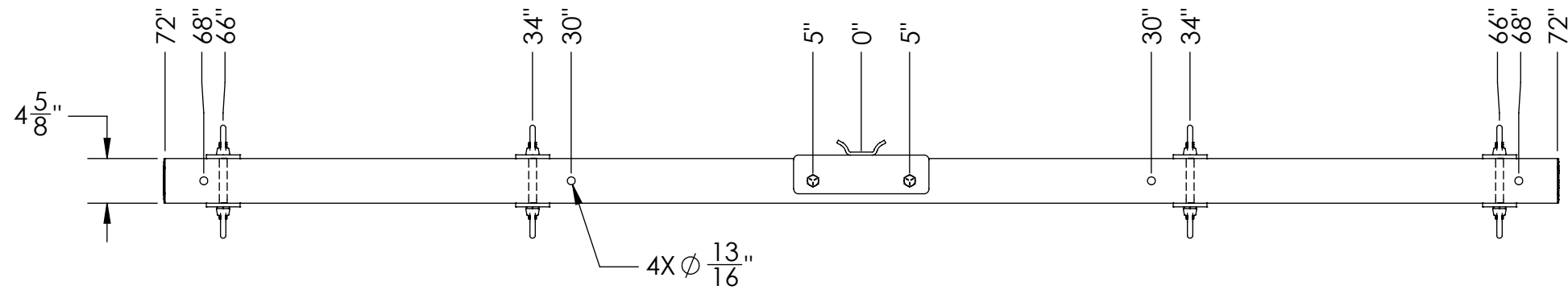
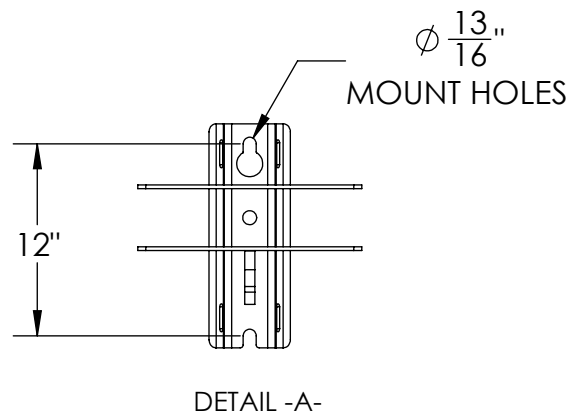
# REPRESENTATIVE OF SERIES 4000 ASSEMBLY



<p>---UNLESS OTHERWISE SPECIFIED--- DIMENSIONS ARE IN INCHES INTERPRET DIM AND TOL PER ASME Y14.5-2009</p>	STATE:	
	DRAWN:	2020-02-07
	CHECKED:	2017-05-18
	APPROVED:	
REPLACES:		
<p><b>PROPRIETARY AND CONFIDENTIAL</b> THE INFORMATION CONTAINED IN THIS DRAWING IS THE SOLE PROPERTY OF GEOTEK. ANY REPRODUCTION IN PART OR AS A WHOLE WITHOUT THE WRITTEN PERMISSION OF GEOTEK IS PROHIBITED.</p>	THIRD ANGLE PROJECTION	
CUSTOMER SIGNATURE:	DATE:	

	1421 SECOND AVE NW STEWARTVILLE, MN 55976 (800) 533-1680 www.geotekinc.com	
	DESCRIPTION: <b>DEADEND ASSEMBLY</b> 144 in, PUPI SPX	
SIZE: DWG. NO. <b>B DA4000144E4SPX-</b>	BEAM COLOR:	REV:
SCALE: 1:16   WEIGHT: 126 LBS	SHEET 1 OF 1	

# REPRESENTATIVE OF SERIES 2500 AND SERIES 3000 ASSEMBLIES



<p>---UNLESS OTHERWISE SPECIFIED--- DIMENSIONS ARE IN INCHES INTERPRET DIM AND TOL PER ASME Y14.5-2009</p>	STATE:	
	DRAWN:	2019-01-22
	CHECKED:	2019-01-23
	APPROVED:	
REPLACES:		
<p><b>PROPRIETARY AND CONFIDENTIAL</b> THE INFORMATION CONTAINED IN THIS DRAWING IS THE SOLE PROPERTY OF GEOTEK. ANY REPRODUCTION IN PART OR AS A WHOLE WITHOUT THE WRITTEN PERMISSION OF GEOTEK IS PROHIBITED.</p>	THIRD ANGLE PROJECTION	
CUSTOMER SIGNATURE:	DATE:	

		1421 SECOND AVE NW STEWARTVILLE, MN 55976 (800) 533-1680 www.geotekinc.com	
DESCRIPTION: <b>DEADEND ASSEMBLY</b> 144 in, PUPI SPX			
SIZE: DWG. NO.	<b>B DA----144E4SPX-</b>		BEAM COLOR:
SCALE: 1:16	WEIGHT: 89 LBS	REV: 0.0	
			SHEET 1 OF 1

