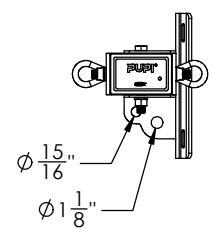
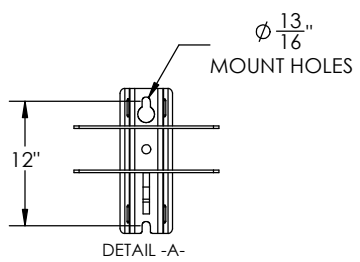
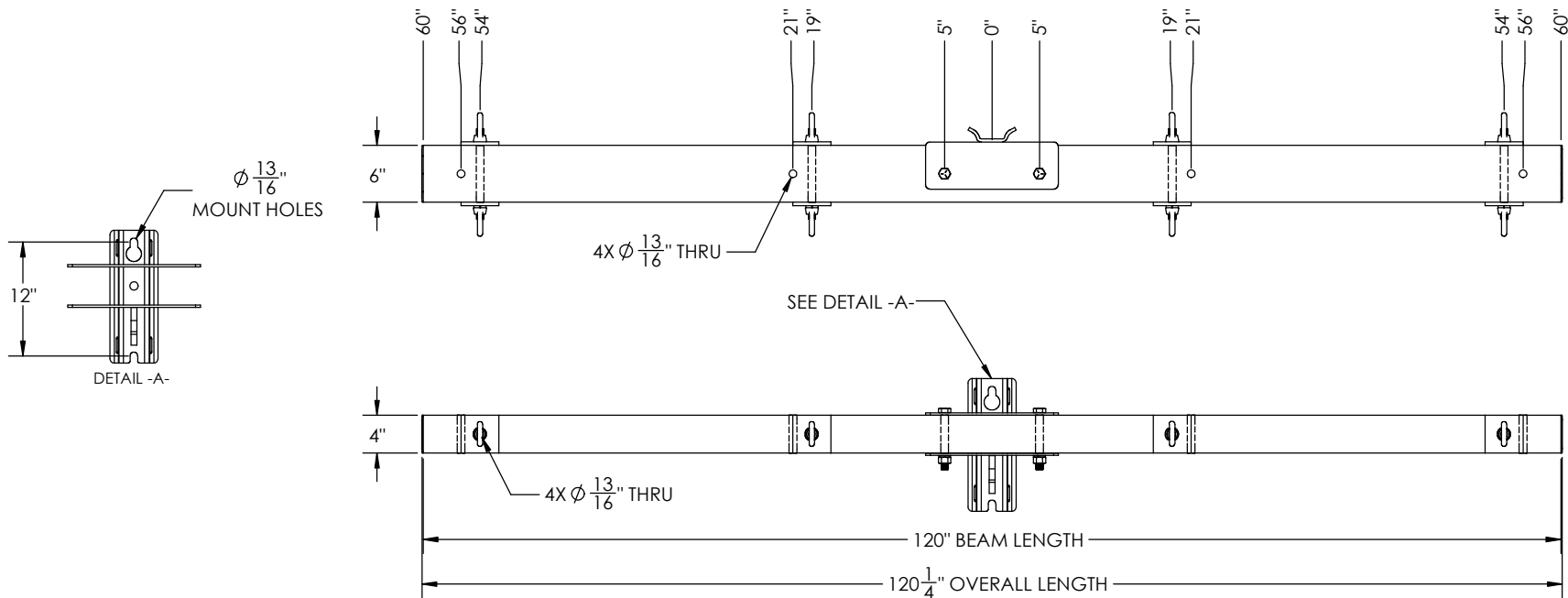

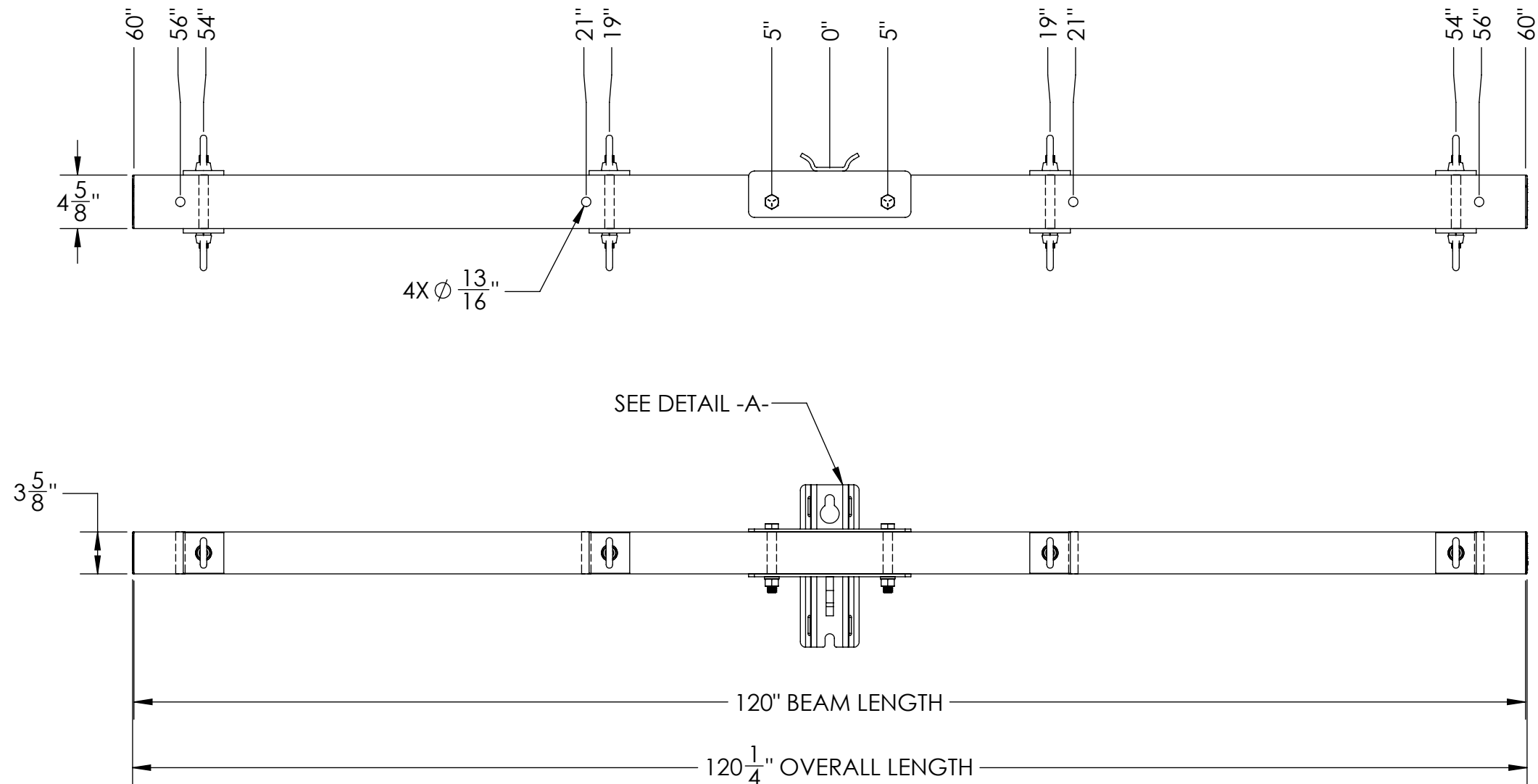
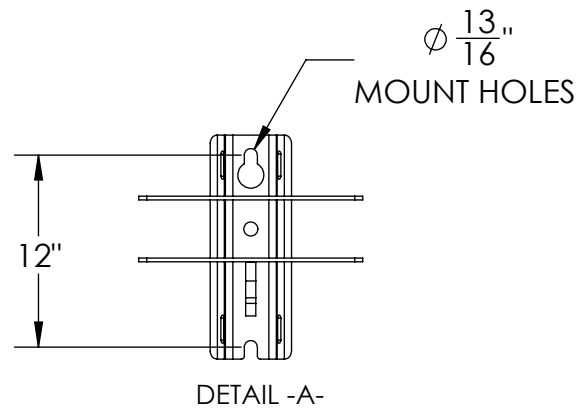


# REPRESENTATIVE OF SERIES 4000 ASSEMBLY



<p>---UNLESS OTHERWISE SPECIFIED--- DIMENSIONS ARE IN INCHES INTERPRET DIM AND TOL PER ASME Y14.5-2009</p>	STATE:		 <p>1421 SECOND AVE NW STEWARTVILLE, MN 55976 (800) 533-1680 www.geotekinc.com</p>
	DRAWN:	2020-02-07	
<p>PROPRIETARY AND CONFIDENTIAL THE INFORMATION CONTAINED IN THIS DRAWING IS THE SOLE PROPERTY OF GEOTEK. ANY REPRODUCTION IN PART OR AS A WHOLE WITHOUT THE WRITTEN PERMISSION OF GEOTEK IS PROHIBITED. CUSTOMER SIGNATURE:</p>	CHECKED:	2017-04-06	<p>DESCRIPTION: DEADEND ASSEMBLY 120 in, PUPI B9X</p>
	APPROVED:		
	THIRD ANGLE PROJECTION	REPLACES:	
	DATE:		<p>SCALE: 1:12   WEIGHT: 112 LBS</p>
			<p>BEAM COLOR:   REV: -</p>
			<p>SHEET 1 OF 1</p>

# REPRESENTATIVE OF SERIES 2000, SERIES 2500, AND SERIES 3000 ASSEMBLIES



---UNLESS OTHERWISE SPECIFIED---  
DIMENSIONS ARE IN INCHES  
INTERPRET DIM AND TOL PER ASME Y14.5-2009

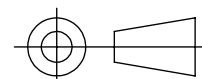
STATE:  
DRAWN: 2019-01-22  
CHECKED: 2019-01-23  
APPROVED:  
REPLACES:



1421 SECOND AVE NW  
STEWARTVILLE, MN 55976  
(800) 533-1680  
www.geotekinc.com

**PROPRIETARY AND CONFIDENTIAL**  
THE INFORMATION CONTAINED IN THIS DRAWING IS  
THE SOLE PROPERTY OF GEOTEK. ANY  
REPRODUCTION IN PART OR AS A WHOLE WITHOUT  
THE WRITTEN PERMISSION OF GEOTEK IS PROHIBITED.

THIRD ANGLE PROJECTION



CUSTOMER SIGNATURE:

DATE:

DESCRIPTION:  
**DEADEND ASSEMBLY**  
120 in, PUPI B9X

SIZE: DWG. NO.

**B DA----120E4B9X-**

SCALE: 1:12 | WEIGHT: 81 LBS

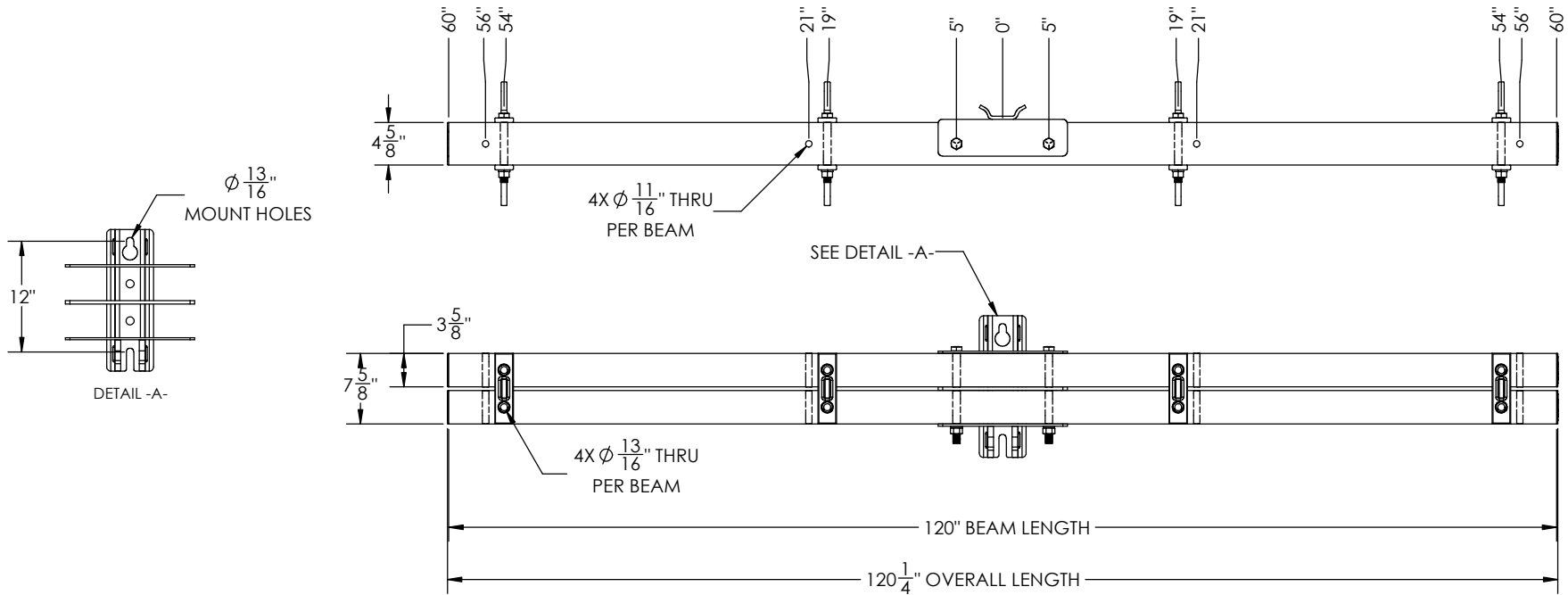
BEAM COLOR:

REV:


0.0

SHEET 1 OF 1

# REPRESENTATIVE OF SERIES 3020 ASSEMBLY



<p>---UNLESS OTHERWISE SPECIFIED--- DIMENSIONS ARE IN INCHES INTERPRET DIM AND TOL PER ASME Y14.5-2009</p>	STATE:	
	DRAWN:	2020-02-07
	CHECKED:	2017-04-19
	APPROVED:	
THIRD ANGLE PROJECTION		
<p>PROPRIETARY AND CONFIDENTIAL THE INFORMATION CONTAINED IN THIS DRAWING IS THE SOLE PROPERTY OF GEOTEK. ANY REPRODUCTION IN PART OR AS A WHOLE WITHOUT THE WRITTEN PERMISSION OF GEOTEK IS PROHIBITED.</p>		DATE:
CUSTOMER SIGNATURE:		

		1421 SECOND AVE NW STEWARTVILLE, MN 55976 (800) 533-1680 www.geotekinc.com	
DESCRIPTION: <b>DEADEND ASSEMBLY</b> <b>120 in, PUPI B9X</b>			
SIZE: DWG. NO.	BEAM COLOR:	REV:	
<b>B DA3020120E4B9X-</b>		-	
SCALE: 1:12   WEIGHT: 149 LBS		SHEET 1 OF 1	