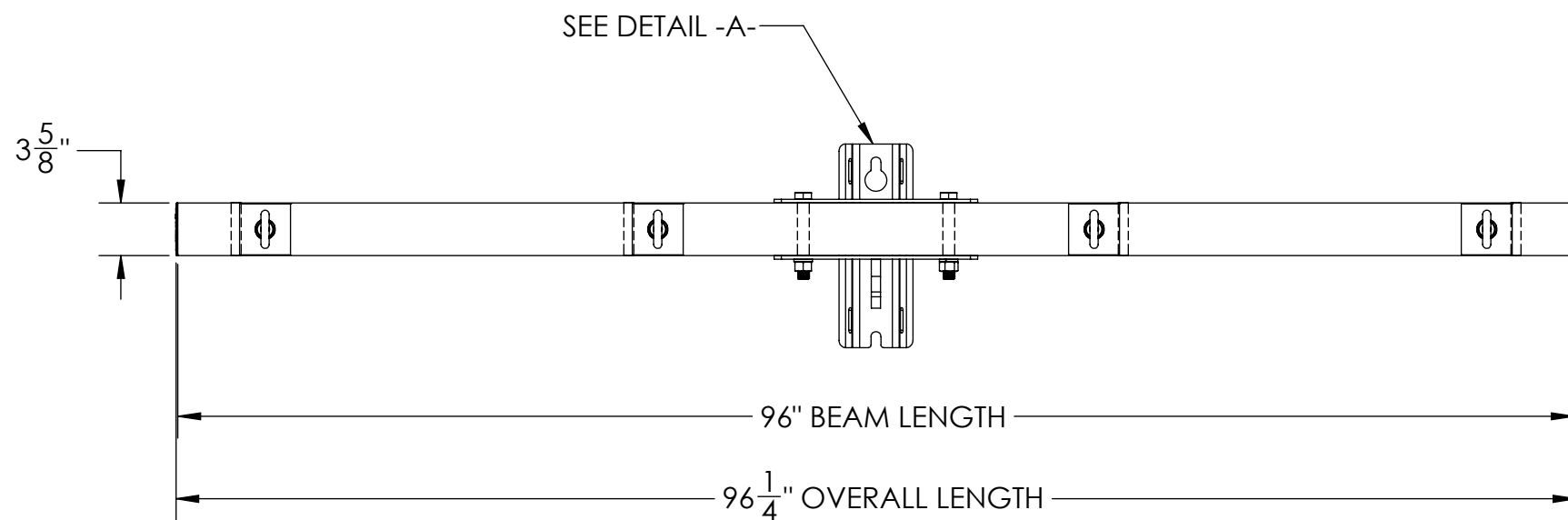
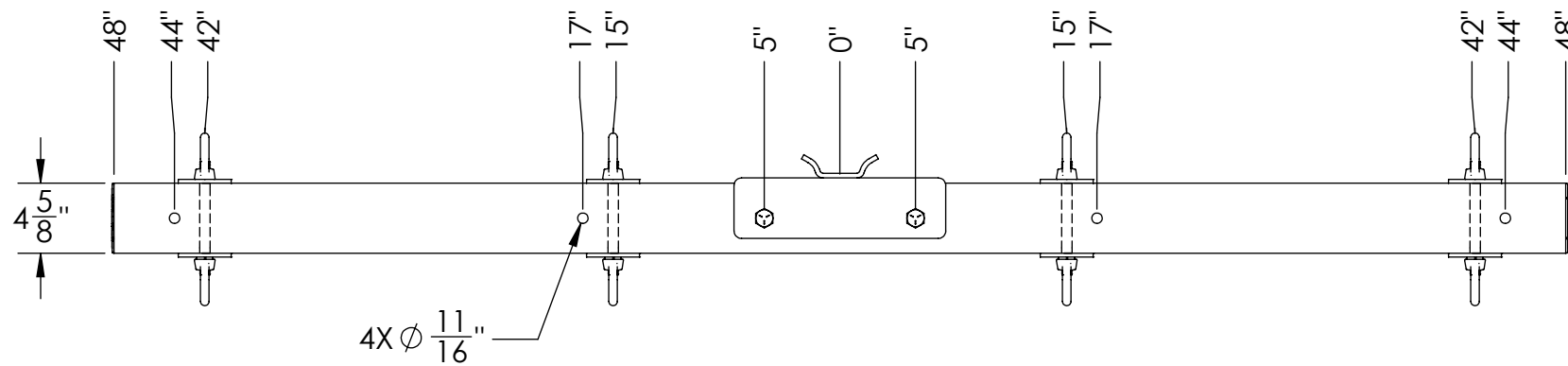
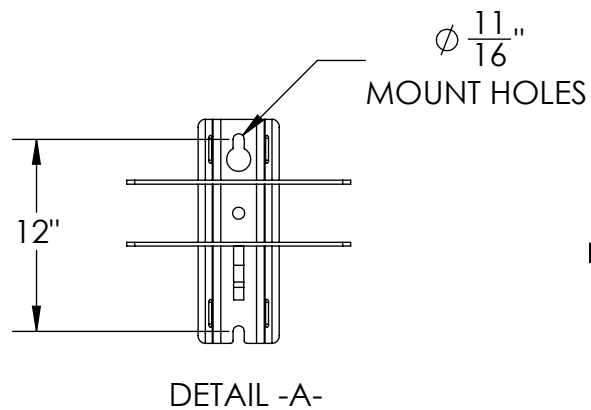


REPRESENTATIVE OF SERIES 2000, SERIES 2500, AND SERIES 3000 ASSEMBLIES



---UNLESS OTHERWISE SPECIFIED---
DIMENSIONS ARE IN INCHES
INTERPRET DIM AND TOL PER ASME Y14.5-2009

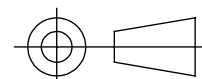
STATE:	
DRAWN:	2019-01-22
CHECKED:	2019-01-23
APPROVED:	
REPLACES:	



1421 SECOND AVE NW
STEWARTVILLE, MN 55976
(800) 533-1680
www.geotekinc.com

PROPRIETARY AND CONFIDENTIAL
THE INFORMATION CONTAINED IN THIS DRAWING IS
THE SOLE PROPERTY OF GEOTEK. ANY
REPRODUCTION IN PART OR AS A WHOLE WITHOUT
THE WRITTEN PERMISSION OF GEOTEK IS PROHIBITED.

THIRD ANGLE PROJECTION



CUSTOMER SIGNATURE:

DATE:

DESCRIPTION:
DEADEND ASSEMBLY
96 in, PUPI B7X

SIZE: DWG. NO.

B DA----096E4B7X-

SCALE: 1:12 | WEIGHT: 67 LBS

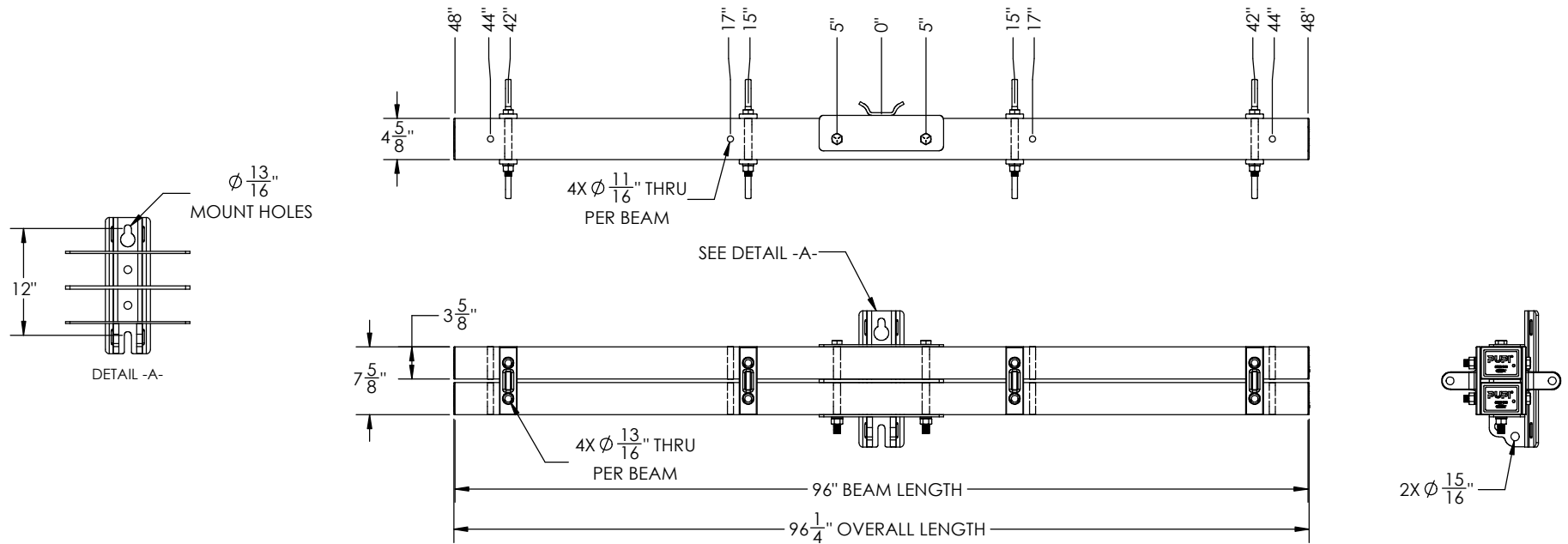
BEAM COLOR:

REV:


0.0

SHEET 1 OF 1

REPRESENTATIVE OF SERIES 3020 ASSEMBLY



<p>---UNLESS OTHERWISE SPECIFIED--- DIMENSIONS ARE IN INCHES INTERPRET DIM AND TOL PER ASME Y14.5-2009</p>	STATE:	
	DRAWN:	2020-02-07
	CHECKED:	2016-04-12
	APPROVED:	
THIRD ANGLE PROJECTION		
<p>PROPRIETARY AND CONFIDENTIAL THE INFORMATION CONTAINED IN THIS DRAWING IS THE SOLE PROPERTY OF GEOTEK. ANY REPRODUCTION IN PART OR AS A WHOLE WITHOUT THE WRITTEN PERMISSION OF GEOTEK IS PROHIBITED.</p>		DATE:
CUSTOMER SIGNATURE:		

		1421 SECOND AVE NW STEWARTVILLE, MN 55976 (800) 533-1680 www.geotekinc.com	
DESCRIPTION: DEADEND ASSEMBLY 96 in, PUPI B7X			
SIZE: DWG. NO.	BEAM COLOR:	REV:	
B DA3020096E4B7X-		-	
SCALE: 1:12 WEIGHT: 134 LBS		SHEET 1 OF 1	