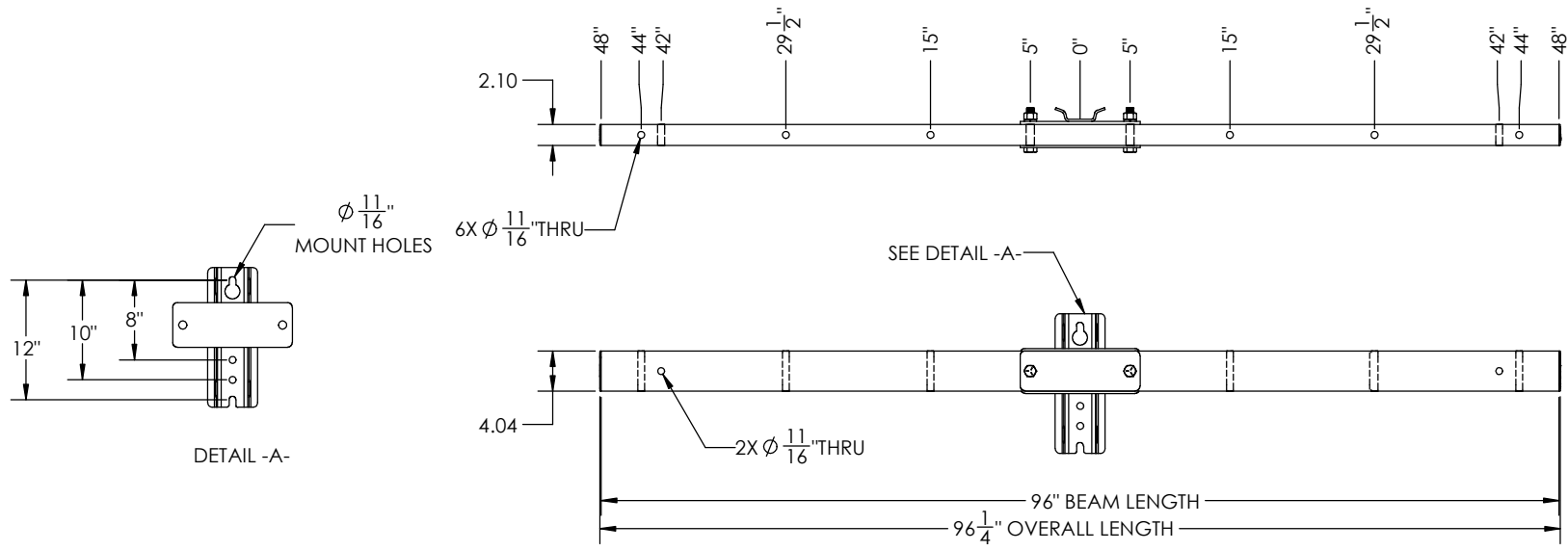


REPRESENTATIVE OF SERIES 1000 ASSEMBLY

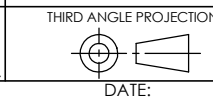


| | | |
|--|-----------|------------|
| ---UNLESS OTHERWISE SPECIFIED--- DIMENSIONS ARE IN INCHES INTERPRET DIM AND TOL PER ASME Y14.5-2009 | STATE: | |
| | DRAWN: | 2020-02-07 |
| | CHECKED: | 2017-04-06 |
| | APPROVED: | |
| REPLACES: | | |



1421 SECOND AVE NW
STEWARTVILLE, MN 55976
(800) 533-1680
www.geotekinc.com

PROPRIETARY AND CONFIDENTIAL
THE INFORMATION CONTAINED IN THIS DRAWING IS THE SOLE PROPERTY OF GEOTEK. ANY REPRODUCTION IN PART OR AS A WHOLE WITHOUT THE WRITTEN PERMISSION OF GEOTEK IS PROHIBITED.



DESCRIPTION:
TANGENT ASSEMBLY
96 in, RUS 04

CUSTOMER SIGNATURE:

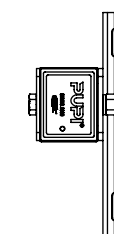
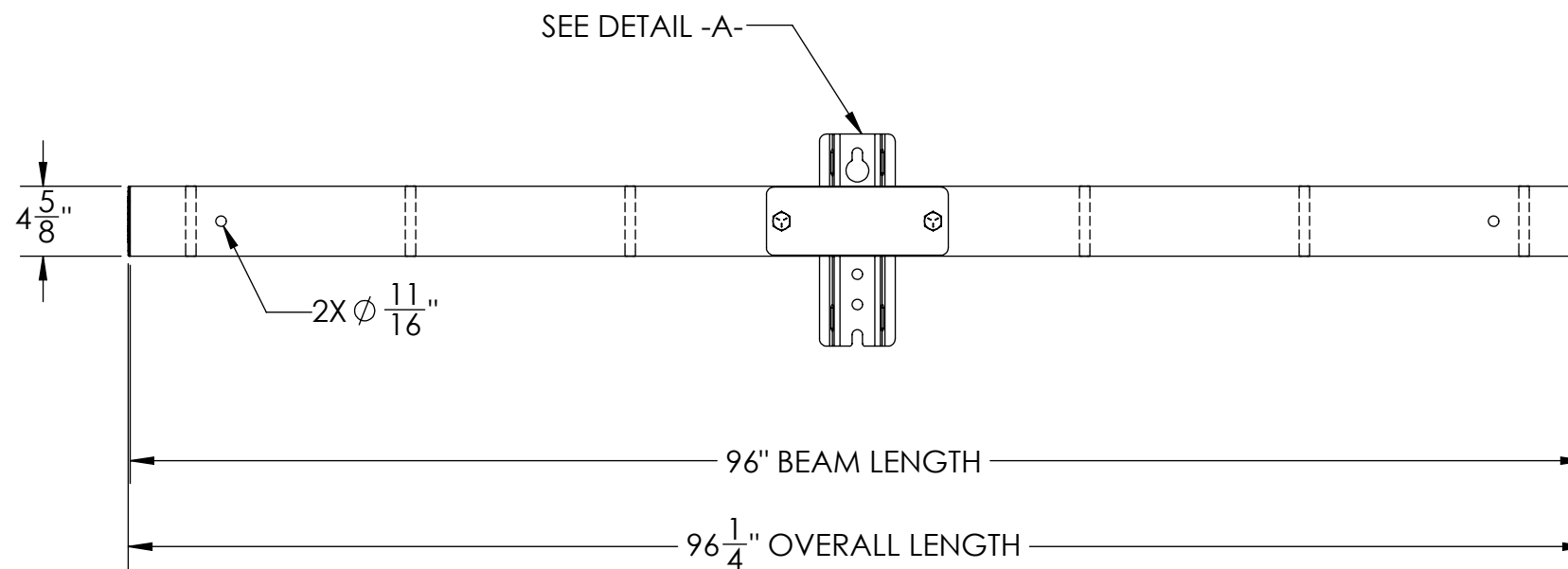
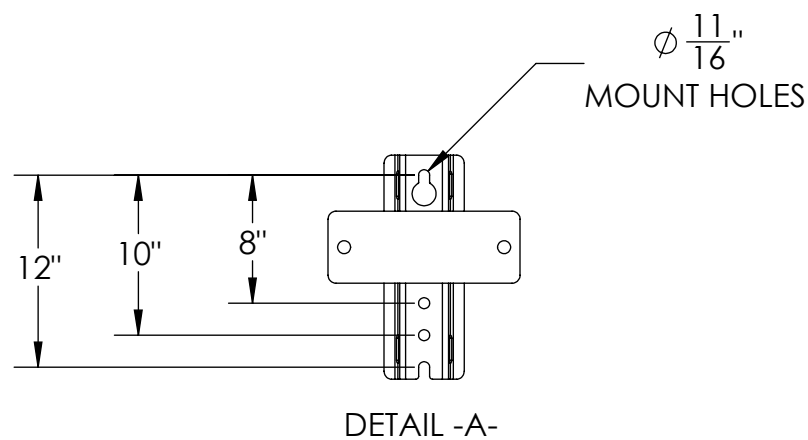
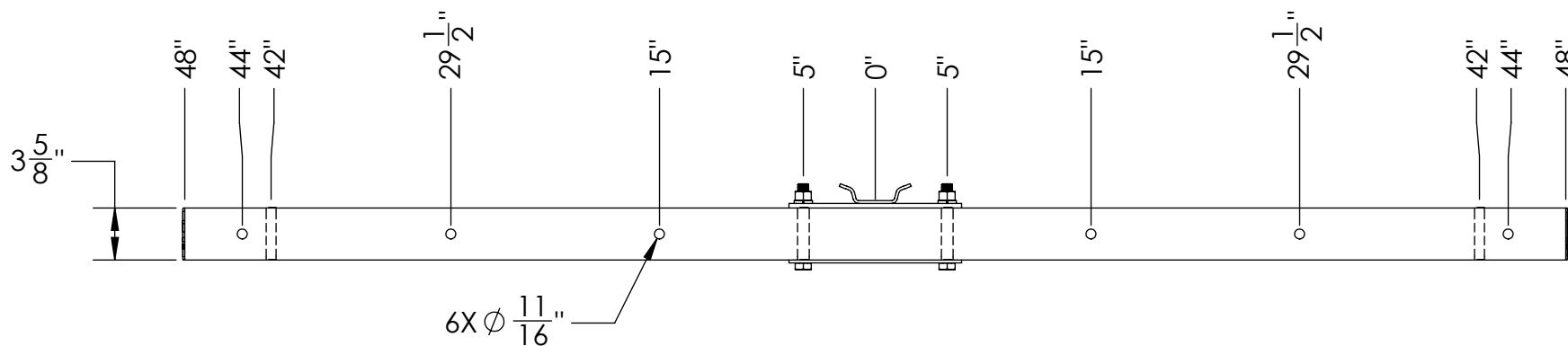
DATE:

SIZE: DWG. NO. | BEAM COLOR: | REV:

B TB100009604X- | -

SCALE: 1:12 | WEIGHT: 29 LBS | SHEET 1 OF 1

REPRESENTATIVE OF SERIES 2200, SERIES 2000, SERIES 2500, AND SERIES 3000 ASSEMBLIES



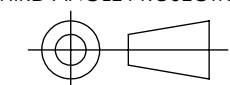
---UNLESS OTHERWISE SPECIFIED---
DIMENSIONS ARE IN INCHES
INTERPRET DIM AND TOL PER ASME Y14.5-2009

STATE:
DRAWN: 2019-01-22
CHECKED: 2019-01-22
APPROVED:
REPLACES:



1421 SECOND AVE NW
STEWARTVILLE, MN 55976
(800) 533-1680
www.geotekinc.com

PROPRIETARY AND CONFIDENTIAL
THE INFORMATION CONTAINED IN THIS DRAWING IS
THE SOLE PROPERTY OF GEOTEK. ANY
REPRODUCTION IN PART OR AS A WHOLE WITHOUT
THE WRITTEN PERMISSION OF GEOTEK IS PROHIBITED.

THIRD ANGLE PROJECTION


DESCRIPTION:
TANGENT ASSEMBLY
96 in, RUS 04

CUSTOMER SIGNATURE:

DATE:

SIZE: DWG. NO.

BEAM COLOR: REV:

B TB----09604X-

0.0

SCALE: 1:12 WEIGHT: 41 LBS

SHEET 1 OF 1