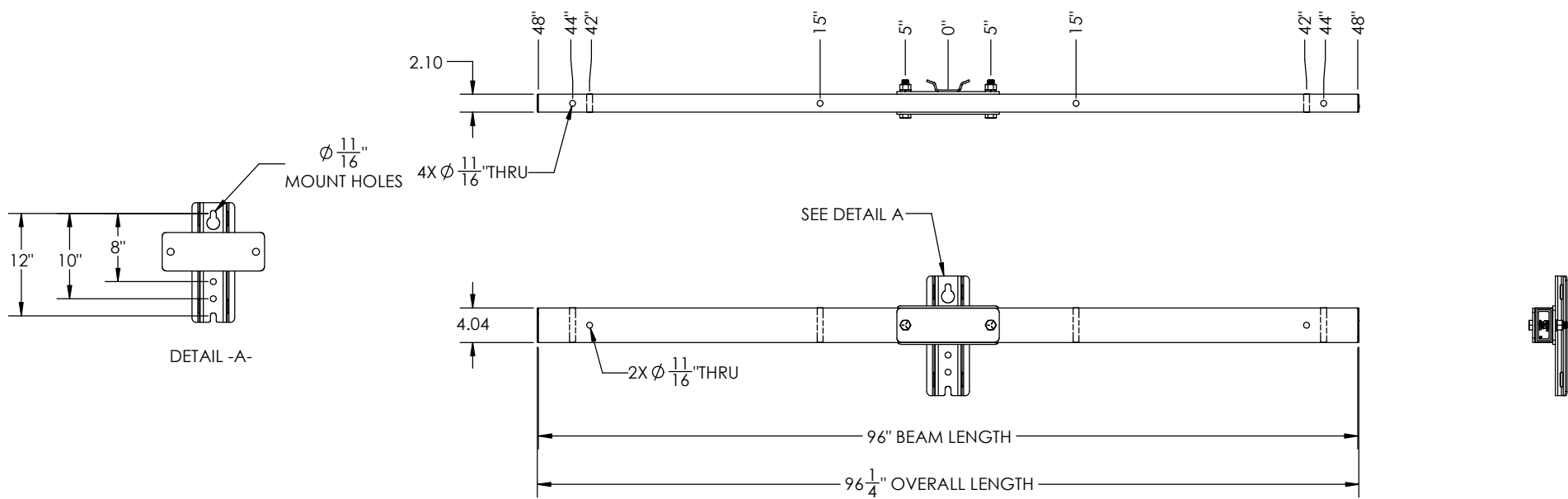

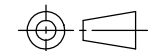


REPRESENTATIVE OF SERIES 1000 ASSEMBLY

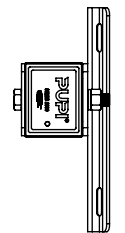
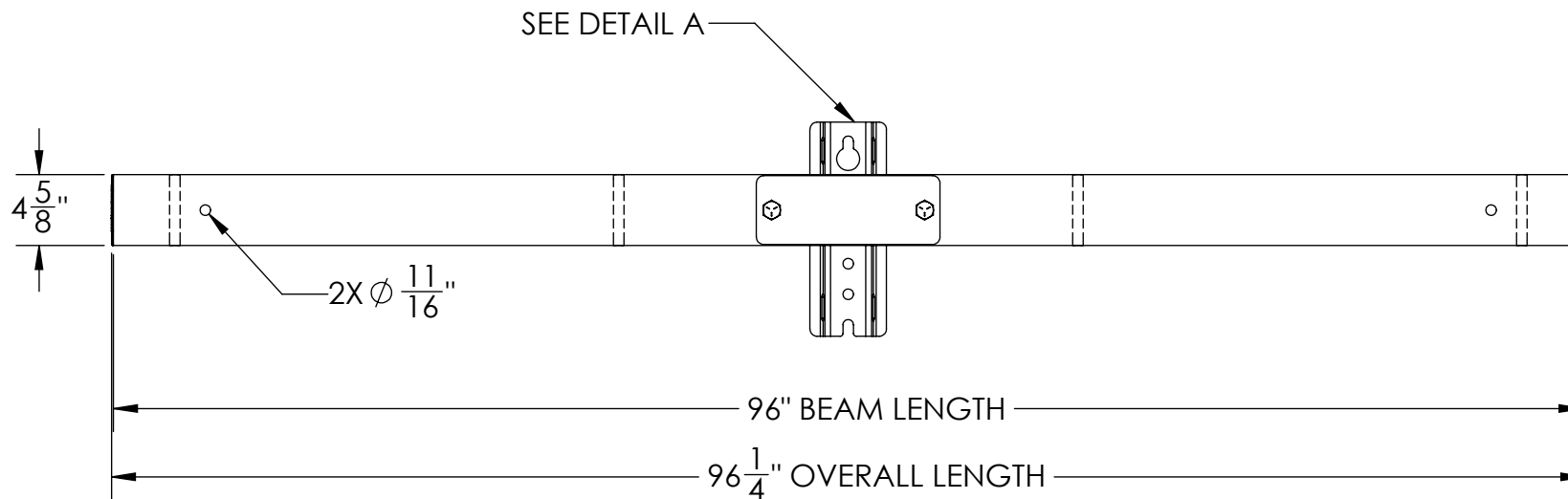
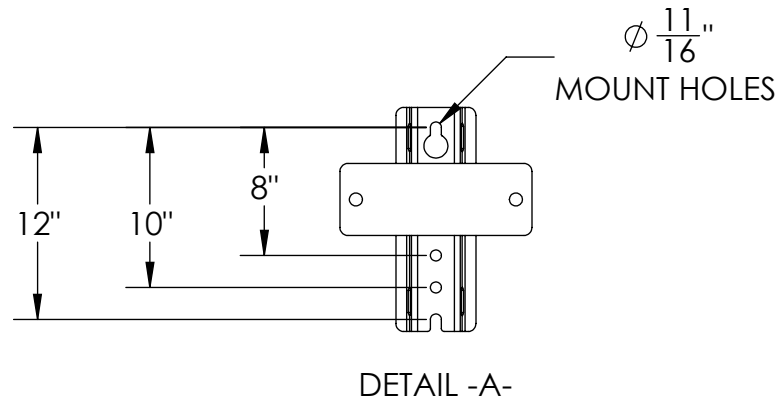
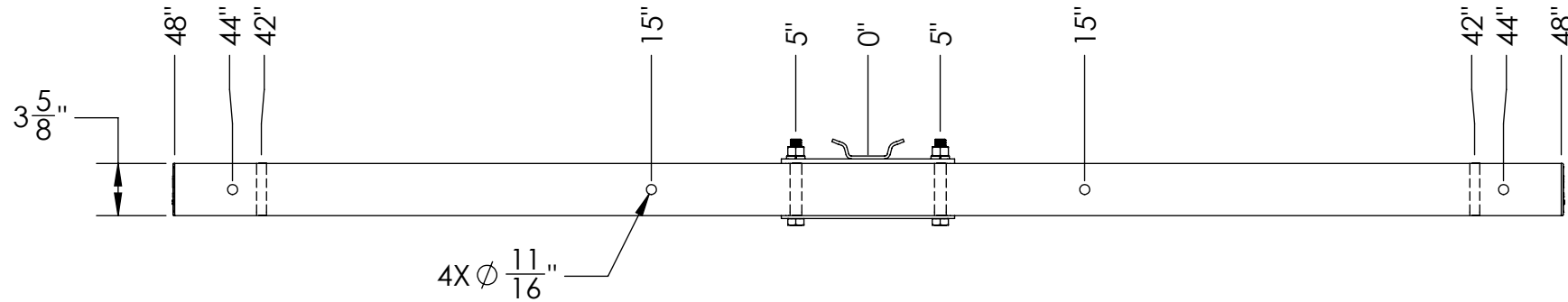


<p>---UNLESS OTHERWISE SPECIFIED--- DIMENSIONS ARE IN INCHES INTERPRET DIM AND TOL PER ASME Y14.5-2009</p>	STATE:		 <p>1421 SECOND AVE NW STEWARTVILLE, MN 55976 (800) 533-1680 www.geotekinc.com</p>
	DRAWN:	2020-02-07	
<p>PROPRIETARY AND CONFIDENTIAL THE INFORMATION CONTAINED IN THIS DRAWING IS THE SOLE PROPERTY OF GEOTEK. ANY REPRODUCTION IN PART OR AS A WHOLE WITHOUT THE WRITTEN PERMISSION OF GEOTEK IS PROHIBITED.</p>	CHECKED:	2017-03-28	<p>DESCRIPTION: TANGENT ASSEMBLY 96 in, RUS 03</p>
	APPROVED:		
	CUSTOMER SIGNATURE:	REPLACES:	
	THIRD ANGLE PROJECTION	DATE:	<p>BEAM COLOR: REV: </p>
			<p>SCALE: 1:12 WEIGHT: 29 LBS</p>
			<p>SHEET 1 OF 1</p>



www.pupicrossarms.com

REPRESENTATIVE OF SERIES 2200, SERIES 2000, SERIES 2500, AND SERIES 3000 ASSEMBLIES



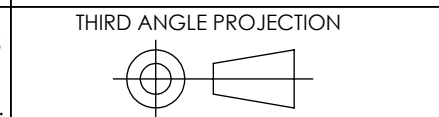
---UNLESS OTHERWISE SPECIFIED---
DIMENSIONS ARE IN INCHES
INTERPRET DIM AND TOL PER ASME Y14.5-2009

STATE:	
DRAWN:	2019-01-22
CHECKED:	2019-01-22
APPROVED:	
REPLACES:	



1421 SECOND AVE NW
STEWARTVILLE, MN 55976
(800) 533-1680
www.geotekinc.com

PROPRIETARY AND CONFIDENTIAL
THE INFORMATION CONTAINED IN THIS DRAWING IS
THE SOLE PROPERTY OF GEOTEK. ANY
REPRODUCTION IN PART OR AS A WHOLE WITHOUT
THE WRITTEN PERMISSION OF GEOTEK IS PROHIBITED.



DESCRIPTION:
TANGENT ASSEMBLY
96 in, RUS 03

CUSTOMER SIGNATURE:

DATE:

SIZE: DWG. NO.	BEAM COLOR:	REV:
B TB----09603X-		0.0

SCALE: 1:12 | WEIGHT: 41 LBS | SHEET 1 OF 1