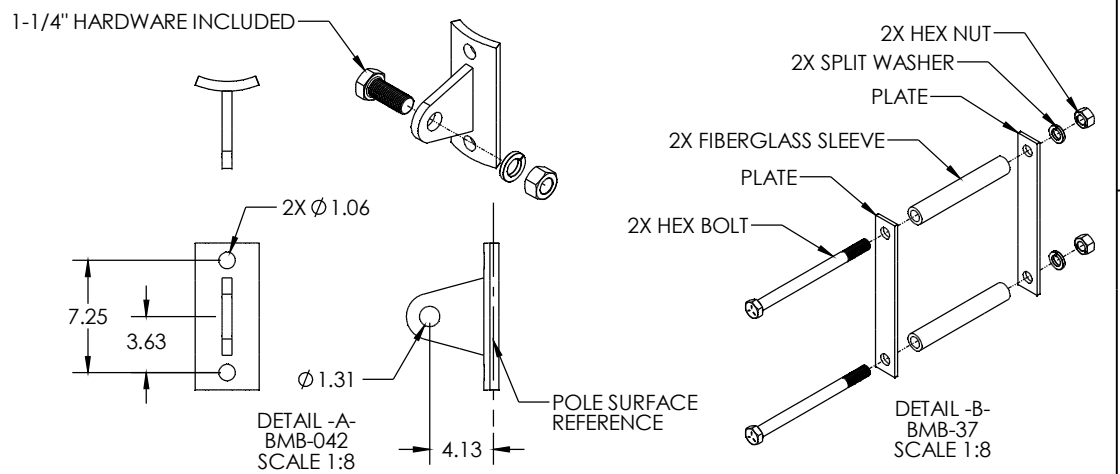
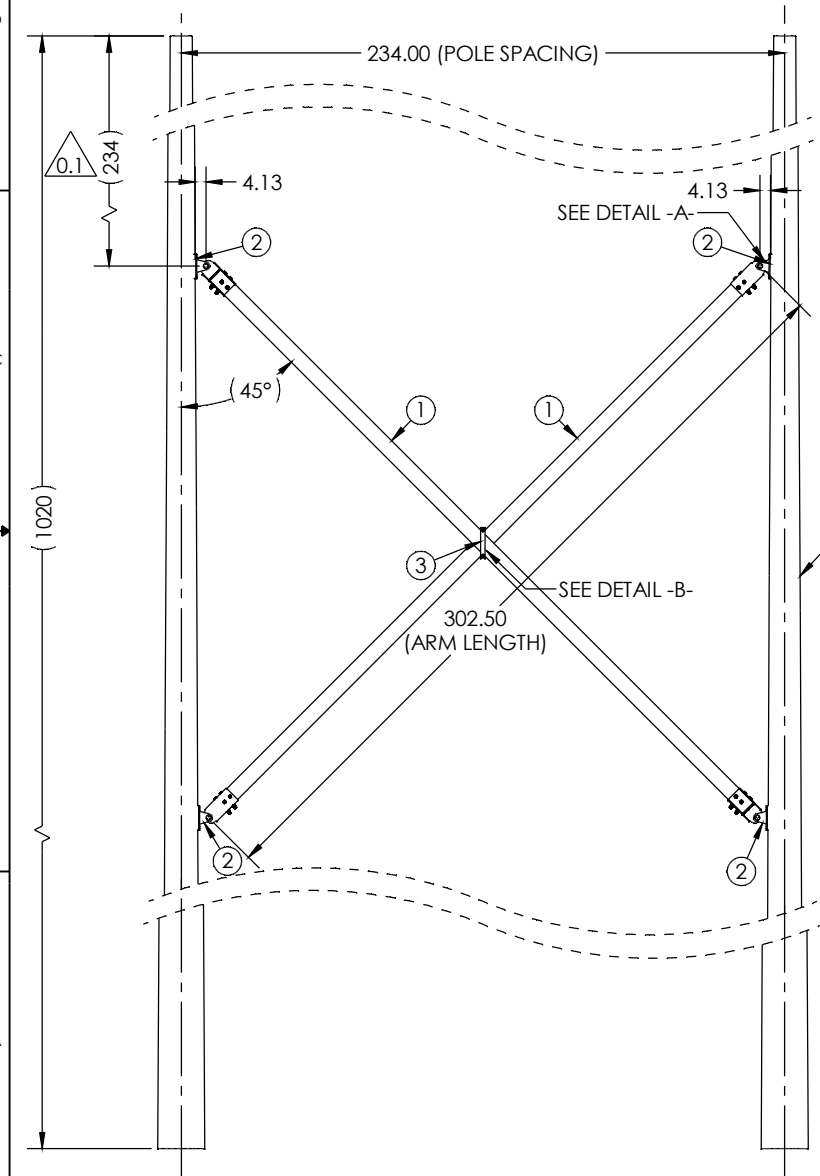


ITEM NO.	PART NUMBER	DESCRIPTION	Description2	QTY.
1	XBR40002341652	X-BRACE ASSEMBLY, SERIES 4000	302.50 in	2
2	BMB-042	HARDWARE KIT, X-BRACE	HD TEE	4
3	BMB-038	HARDWARE KIT, CENTER CLAMP	HD	1



REVISIONS			
REV.	DESCRIPTION	DATE	INITIALS
0.1	REVISED DIMENSION; 234" WAS 228"	2017-09-13	JCW



SEE NOTE #1

- NOTES:
- 2X POLE FOR ILLUSTRATION PURPOSE ONLY, REFERENCE DF-1-85(DOUGLAS FIR, CLASS 1 - 85 FEET)
 - LENGTH OF X-BRACE DEPENDENT OF FINAL POLE DESIGN AND MOUNT LOCATION
 - HARDWARE KITS, BMB-038 AND BMB-042 SHIP SEPARATELY
 - 2X 7/8" HARDWARE PER BRACKET TO ATTACH X-BRACE TO POLES,(NOT SUPPLIED BY GEOTEK)
 - BRACKETS GALVANIZED IN ACCORDANCE WITH ASTM A123/A123M OR ASTM A153/A153M
 - HARDWARE GALVANIZED PER ASTM A153/A153M OR ASTM F2329
 - REFERENCE CUSTOMER DRAWING 6-02 REV:0 SHEET 2

---UNLESS OTHERWISE SPECIFIED--- DIMENSIONS ARE IN INCHES INTERPRET DIM AND TOL PER ASME Y14.5-2009 ANGULAR: MACH±2° BEND±2° ONE PLACE DECIMAL+0.1 TWO PLACE DECIMAL±0.02	STATE: RELEASED	2018-04-04
	DRAWN: RAF	2015-10-13
	CHECKED: JCW	2017-09-13
	APPROVED: JCW	2018-04-04
THIRD ANGLE PROJECTION		
CUSTOMER SIGNATURE:	DATE:	

GEOTEK
A Whole New World of Composites

1421 SECOND AVE NW
STEWARTVILLE, MN 55976
(800) 533-1680
www.geotekinc.com

DESCRIPTION:
X-BRACE SYSTEM, SERIES 4000
234 in

SIZE: DWG. NO. B XBR40202341662	BEAM COLOR: REV: GRAY 0.1
SCALE: 1:48 WEIGHT: 415.66 LBS	SHEET 1 OF 1