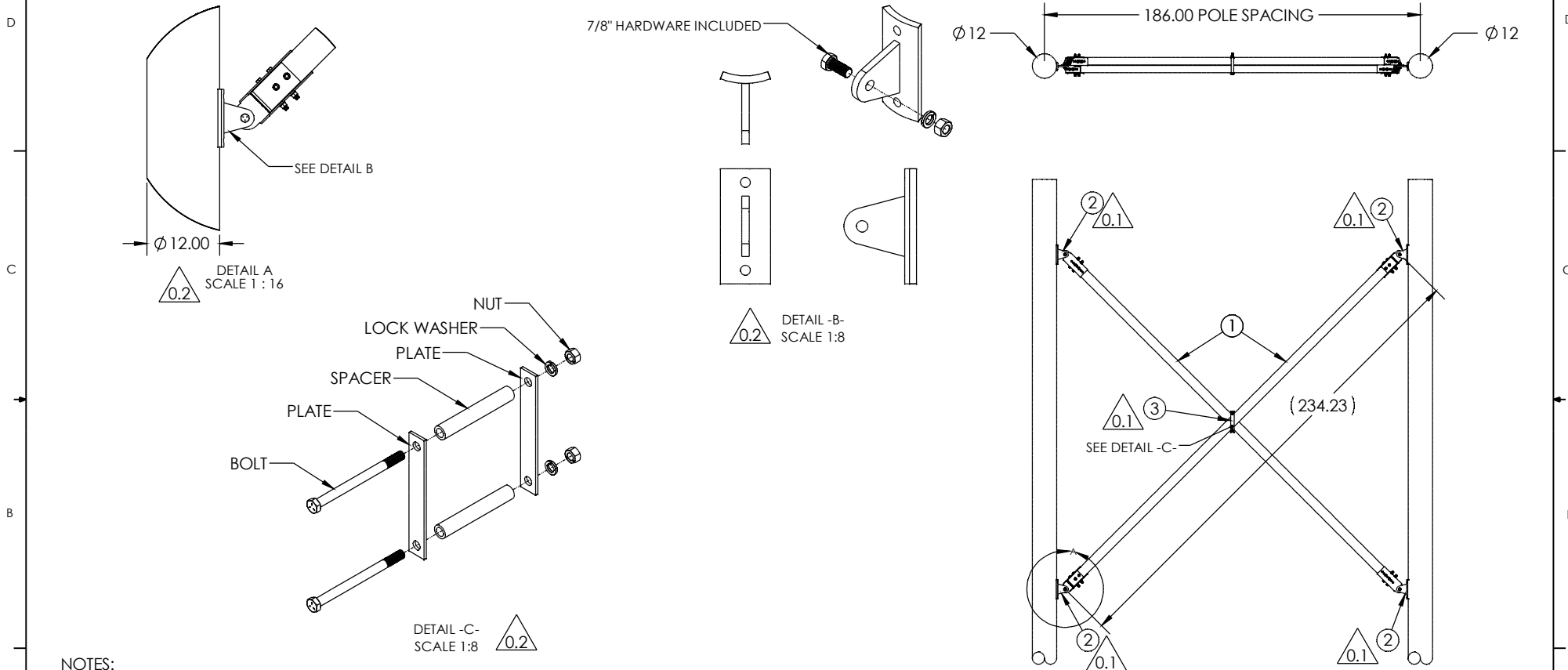


ITEM NO.	PART NUMBER	DESCRIPTION	DESCRIPTION 2	QTY
1	XBR30001860222	X-BRACE ASSEMBLY, SERIES 3000	234.2 in	2
2	BMB-041	HARDWARE KIT, X-BRACE	SD TEE	4
3	BMB-037	HARDWARE KIT, CENTER CLAMP	SD	1

PUPI[®]
www.pupicrossarms.com

REVISIONS			
REV.	DESCRIPTION	DATE	INITIALS
0.1	REPLACE HARDWARE COMPONENTS WITH HARDWARE KITS	2013-12-30	RAF
0.2	UPDATE DRAWING FORMAT	2017-06-07	NDH



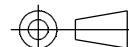
NOTES:
1. ILLUSTRATION AS SHOWN WITH $\phi 12$ " POLES. CUSTOMER TO VERIFY FOR PROPER FIT FOR X-BRACES.

-----UNLESS OTHERWISE SPECIFIED-----
DIMENSIONS ARE IN INCHES
INTERPRET DIM AND TOL PER ASME Y14.5-2009
ANGULAR: MACH $\pm 2^\circ$
BEND $\pm 2^\circ$
TWO PLACE DECIMAL ± 0.02
THREE PLACE DECIMAL ± 0.005

PROPRIETARY AND CONFIDENTIAL
THE INFORMATION CONTAINED IN THIS DRAWING IS
THE SOLE PROPERTY OF GEOTEK. ANY REPRODUCTION
IN PART OR AS A WHOLE WITHOUT THE WRITTEN
PERMISSION OF GEOTEK IS PROHIBITED.

STATE:	REVIEW	2017-06-08
DRAWN:	RAF	2013-05-03
CHECKED:	JCW	2017-06-08
APPROVED:		
MATERIAL:		
FINISH:		
REPLACES:		

THIRD ANGLE PROJECTION



GEOTEK
A Whole New World of Composites
1421 SECOND AVE NW
STEWARTVILLE, MN 55976
(800) 533-1680
www.geotekinc.com

DESCRIPTION:
X-BRACE SYSTEM, SERIES 3000
186 in

SIZE: DWG. NO.	REV:
B XBR3020186SPX2	0.2
SCALE: 1:48	WEIGHT: 270.29 LBS
SHEET 1 OF 1	