

ITEM NO.	PART NUMBER	DESCRIPTION	DESCRIPTION 2	QTY
1	XBR30001260312	X-BRACE ASSEMBLY, SERIES 3000	149.4 in	2
2	BMB-041	HARDWARE KIT, X-BRACE	SD TEE	4
3	BMB-037	HARDWARE KIT, CENTER CLAMP	SD	1

PUPI[®]
www.pupicrossarms.com

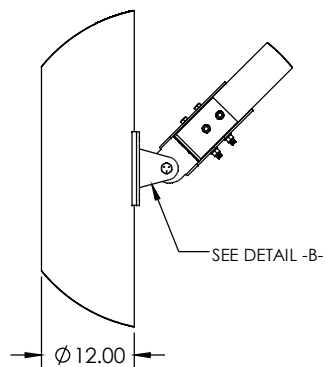
REVISIONS			
REV.	DESCRIPTION	DATE	INITIALS
0.1	REPLACE ALL HARDWARE INTO HARDWARE KITS	2013-12-27	RAF
0.2	UPDATE DRAWING FORMAT	2017-06-07	NDH

D

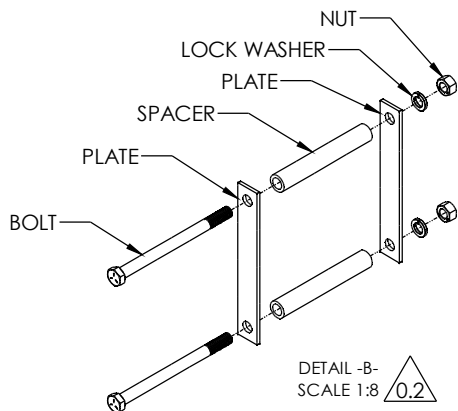
C

B

A

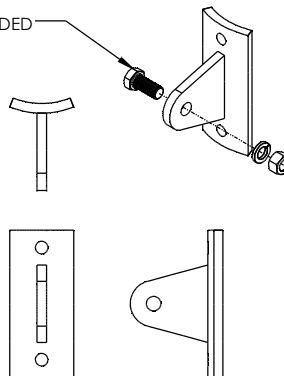


0.2
DETAIL A
SCALE 1:16

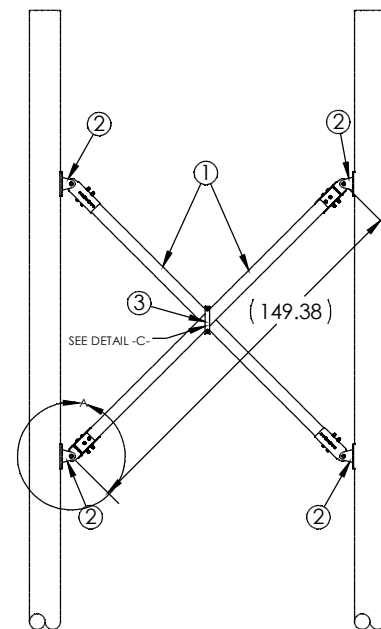


DETAIL -B-
SCALE 1:8
0.2

7/8" HARDWARE INCLUDED



0.2
DETAIL -B-
SCALE 1:8



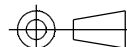
NOTES:
1. ILLUSTRATION AS SHOWN WITH Ø 12" POLES. CUSTOMER TO VERIFY FOR PROPER FIT FOR X-BRACES.

-----UNLESS OTHERWISE SPECIFIED-----
DIMENSIONS ARE IN INCHES
INTERPRET DIM AND TOL PER ASME Y14.5-2009
ANGULAR: MACH ±2°
BEND ±2°
TWO PLACE DECIMAL ±0.02
THREE PLACE DECIMAL ±0.005

PROPRIETARY AND CONFIDENTIAL
THE INFORMATION CONTAINED IN THIS DRAWING IS
THE SOLE PROPERTY OF GEOTEK. ANY REPRODUCTION
IN PART OR AS A WHOLE WITHOUT THE WRITTEN
PERMISSION OF GEOTEK IS PROHIBITED.

STATE:	RELEASED	2018-04-04
DRAWN:	RAF	2013-05-06
CHECKED:	JCW	2017-06-08
APPROVED:	JC	2018-04-04
MATERIAL:	W	
FINISH:		
REPLACES:		

THIRD ANGLE PROJECTION



1421 SECOND AVE NW
STEWARTVILLE, MN 55976
(800) 533-1680
www.geotekinc.com

DESCRIPTION:
X-BRACE SYSTEM, SERIES 3000
126 in

SIZE: DWG. NO.
B XBR3020126SPX2

SCALE: 1:48 WEIGHT: 209.80 LBS

REV:
0.2

SHEET 1 OF 1

8

7

6

5

4

3

2

1