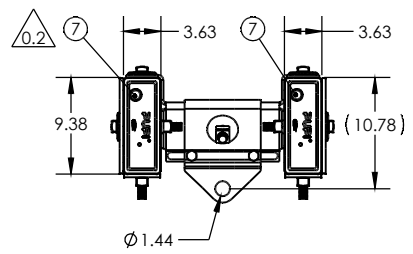
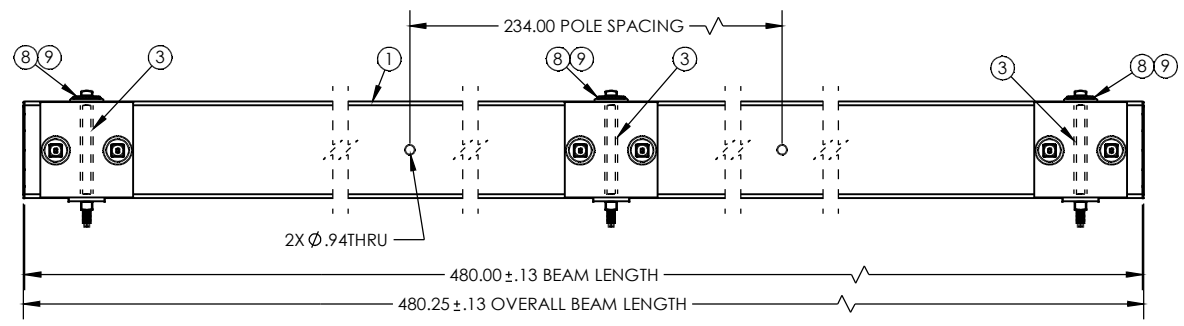
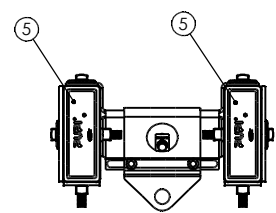
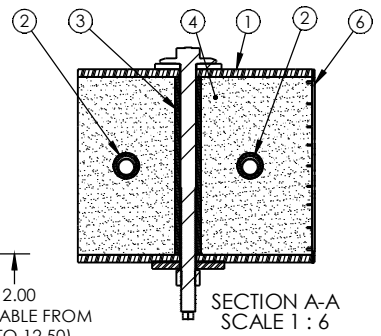
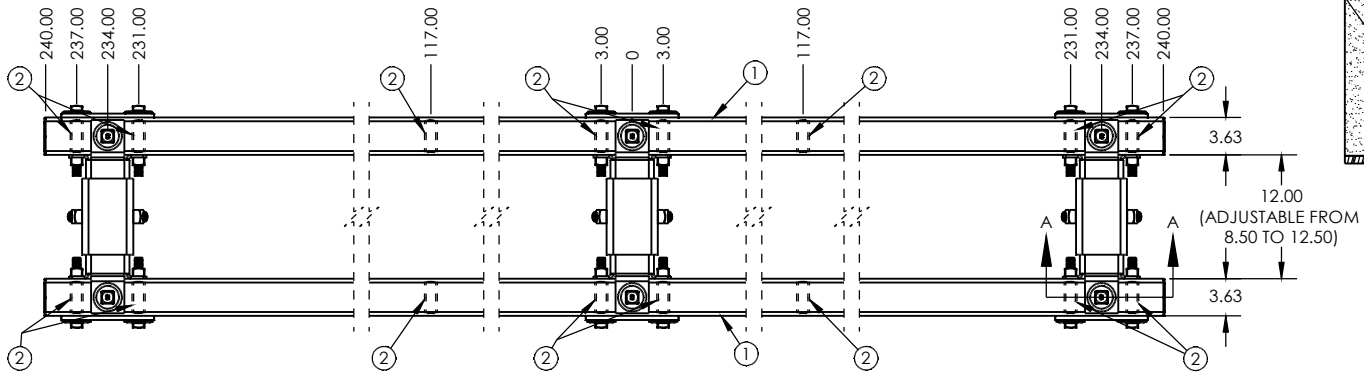


| ITEM NO. | PART NUMBER | DESCRIPTION | DESCRIPTION2 | QTY. |
|----------|---------------|-----------------------|----------------------------------|------|
| 1 | FB-480-5000-2 | BEAM, PULTRUDED STOCK | SERIES 5000 x 480 in, GRAY | 2 |
| 2 | TG0938-0114 | BUSHING | 15/16 in x 3-1/8 in | 16 |
| 3 | TG0813-0115 | BUSHING | 13/16 in x 8-5/8 in | 6 |
| 4 | FOAM | - | - | 2 |
| 5 | EC50-0050-2 | END CAP | SERIES 5000, GRAY | 2 |
| 6 | EC50-0049-2 | END CAP | SERIES 5000, GRAY | 2 |
| 7 | GA108051 | SNAP-IN PLUG, ROUND | 0.96" - 1.05" ID HOLE | 2 |
| 8 | BK-0231 | BRACKET, SPACER | SERIES 5000 TRANSMISSION, HUGHES | 3 |
| 9 | HDWR-BAEL | HARDWARE KIT, TANGENT | TRANSMISSION SPACER | 3 |

PUPI[®]
www.pupicrossarms.com

| REVISIONS | | | | |
|-----------|------|--|------------|----------|
| ECO | REV. | DESCRIPTION | DATE | INITIALS |
| | 0.1 | CORRECTED LONGITUDINAL LOAD RATING | 2018-06-07 | JCW |
| 4159 | 0.2 | ADDED EC50-0049-2 AND GA108051 TO ASSEMBLY | 2018-08-03 | JCW |
| | 0.3 | UPDATE BOM AND DRAWING FORMAT | 2018-11-08 | NDH |



- NOTES:
- CENTER OF MOUNT HOLE(S) TO HOLES TOLERANCE ±0.06
 - CALCULATED ULTIMATE VERTICAL LOAD = 13,250 LBS. PER WIRE, 3 WIRES
 - CALCULATED ULTIMATE LONGITUDINAL LOAD = 6,780 LBS. PER WIRE, 3 WIRES $\Delta 0.1$
 - FULL FACE RECTANGULAR WASHER REQUIRED AT POLE MOUNTS, 4X LOCATIONS PER ASSEMBLY (NOT PROVIDED BY GEOTEK)

| | | | |
|---|------------------------|--------|------------|
| <p>---UNLESS OTHERWISE SPECIFIED---</p> <p>DIMENSIONS ARE IN INCHES INTERPRET DIM AND TOL PER ASME Y14.5-2009 ANGULAR: MACH ±2° BEND ±2° ONE PLACE DECIMAL ±0.1 TWO PLACE DECIMAL ±0.02</p> <p>PROPRIETARY AND CONFIDENTIAL THE INFORMATION CONTAINED IN THIS DRAWING IS THE SOLE PROPERTY OF GEOTEK. ANY REPRODUCTION IN PART OR AS A WHOLE WITHOUT THE WRITTEN PERMISSION OF GEOTEK IS PROHIBITED.</p> <p>CUSTOMER SIGNATURE:</p> | STATE: | REVIEW | 2018-11-08 |
| | DRAWN: | JCW | 2018-04-11 |
| | CHECKED: | NDH | 2018-11-08 |
| | APPROVED: | | |
| | THIRD ANGLE PROJECTION | | |
| | DATE: | | |

GEOTEK
A Whole New World of Composites

1421 SECOND AVE NW
STEWARTVILLE, MN 55976
(800) 533-1680
www.geotekinc.com

DESCRIPTION:
TANGENT ASSEMBLY, SERIES 5000
480 in, CUSTOM SPECIFICATION

SIZE: DWG. NO. **B TX502048081H2** BEAM COLOR: REV: **GRAY 0.3**
SCALE: 1:12 | WEIGHT: 646.36 LBS. SHEET 1 OF 1