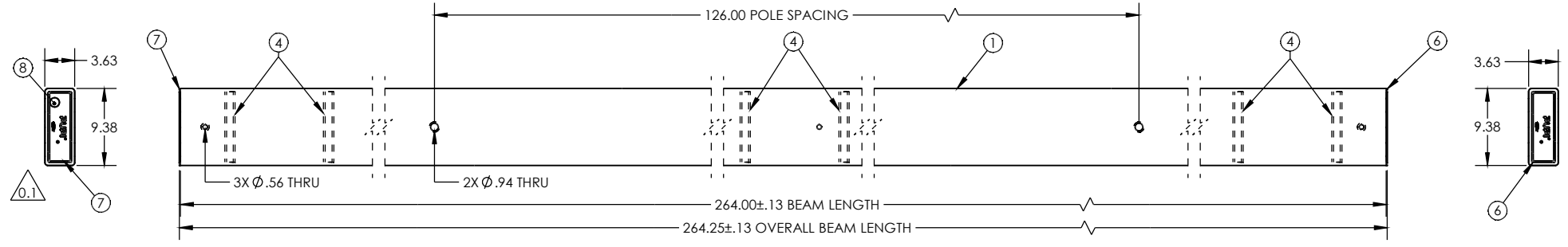
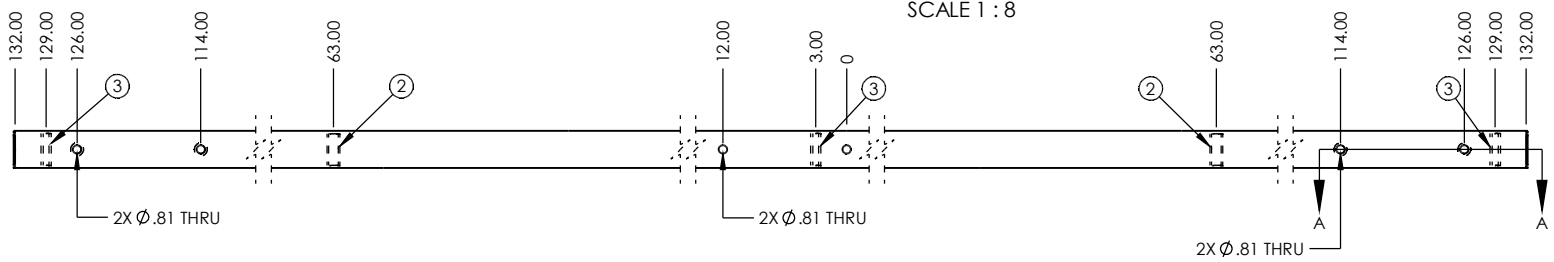
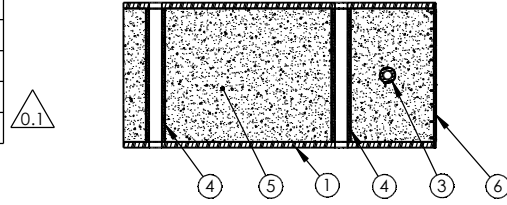


ITEM NO.	PART NUMBER	DESCRIPTION	Description2	Default 1/QTY.
1	FB-264-5000-2	BEAM, PULTRUDED STOCK	SERIES 5000 x 264 in, GRAY	1
2	TG0938-0114	BUSHING	15/16 in x 3-1/8 in	2
3	TG0563-0002	BUSHING	9/16 in x 3-1/8 in	3
4	TG0813-0115	BUSHING	13/16 in x 8-5/8 in	6
5	FOAM	-	-	1
6	EC50-0050-2	END CAP	SERIES 5000, GRAY	1
7	EC50-0049-2	END CAP	SERIES 5000, GRAY	1
8	GA108051	SNAP-IN PLUG, ROUND	0.96" - 1.05" ID HOLE	1



REVISIONS				
ECO	REV.	DESCRIPTION	DATE	INITIALS
	0.1	ADDED LOAD RATINGS, ITEMS 7 & 8 TO DRAWING	2018-06-26	JCW
	0.2	REFLECT BEAM CHANGE AND UPDATE FORMAT	2018-11-28	NDH



- NOTES:
- CENTER OF HOLE(S) TO HOLE TOLERANCE  $\pm 0.06$
  - CALCULATED ULTIMATE VERTICAL LOAD = 9,500 LBS. PER WIRE, 3 WIRES
  - CALCULATED ULTIMATE LONGITUDINAL LOAD = 5,290 LBS. PER WIRE, 3 WIRES
  - FULL-FACE WASHER REQUIRED AT POLE MOUNT LOCATIONS (NOT SUPPLIED BY GEOTEK)

---UNLESS OTHERWISE SPECIFIED---  
 DIMENSIONS ARE IN INCHES  
 INTERPRET DIM AND TOL PER ASME Y14.5-2009  
 ANGULAR: MACH  $\pm 2^\circ$   
 BEND  $\pm 2^\circ$   
 ONE PLACE DECIMAL  $\pm 0.1$   
 TWO PLACE DECIMAL  $\pm 0.02$

STATE: REVIEW 2018-11-28  
 DRAWN: JCW 2017-11-09  
 CHECKED: NDH 2018-11-28  
 APPROVED:  
 REPLACES: -

PROPRIETARY AND CONFIDENTIAL  
 THE INFORMATION CONTAINED IN THIS DRAWING IS THE SOLE PROPERTY OF GEOTEK. ANY REPRODUCTION IN PART OR AS A WHOLE WITHOUT THE WRITTEN PERMISSION OF GEOTEK IS PROHIBITED.

CUSTOMER SIGNATURE: \_\_\_\_\_ DATE: \_\_\_\_\_

THIRD ANGLE PROJECTION

1421 SECOND AVE NW  
 STEWARTVILLE, MN 55976  
 (800) 533-1680  
 www.geotekinc.com

DESCRIPTION:  
**TANGENT ASSEMBLY, SERIES 5000**  
**264 in, RUS 41**

SIZE: DWG. NO. **B TX500026441H2** BEAM COLOR: REV: **GRAY 0.2**  
 SCALE: 1:12 | WEIGHT: 134.97 LBS. SHEET 1 OF 1