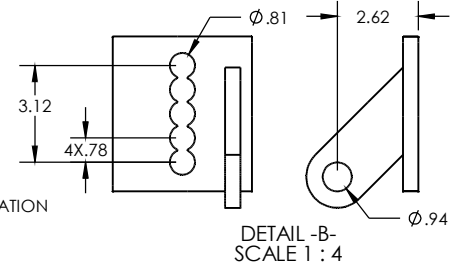
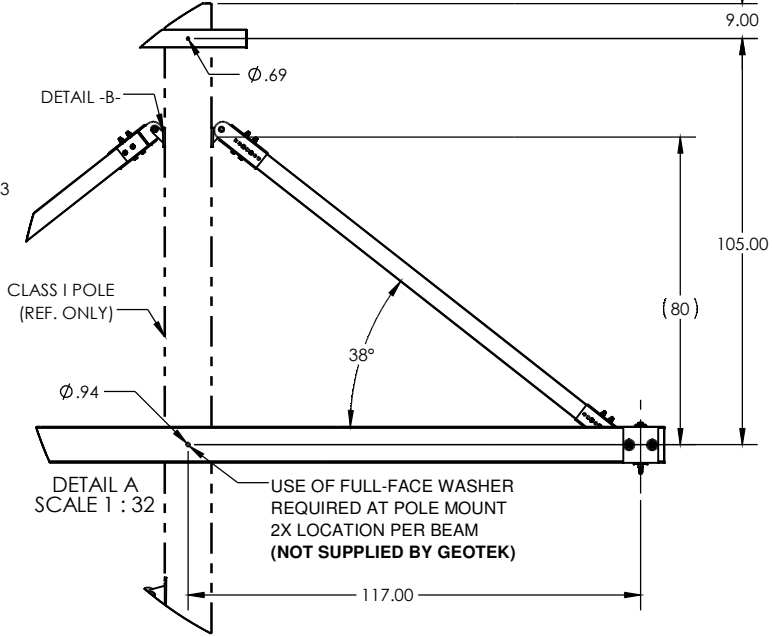
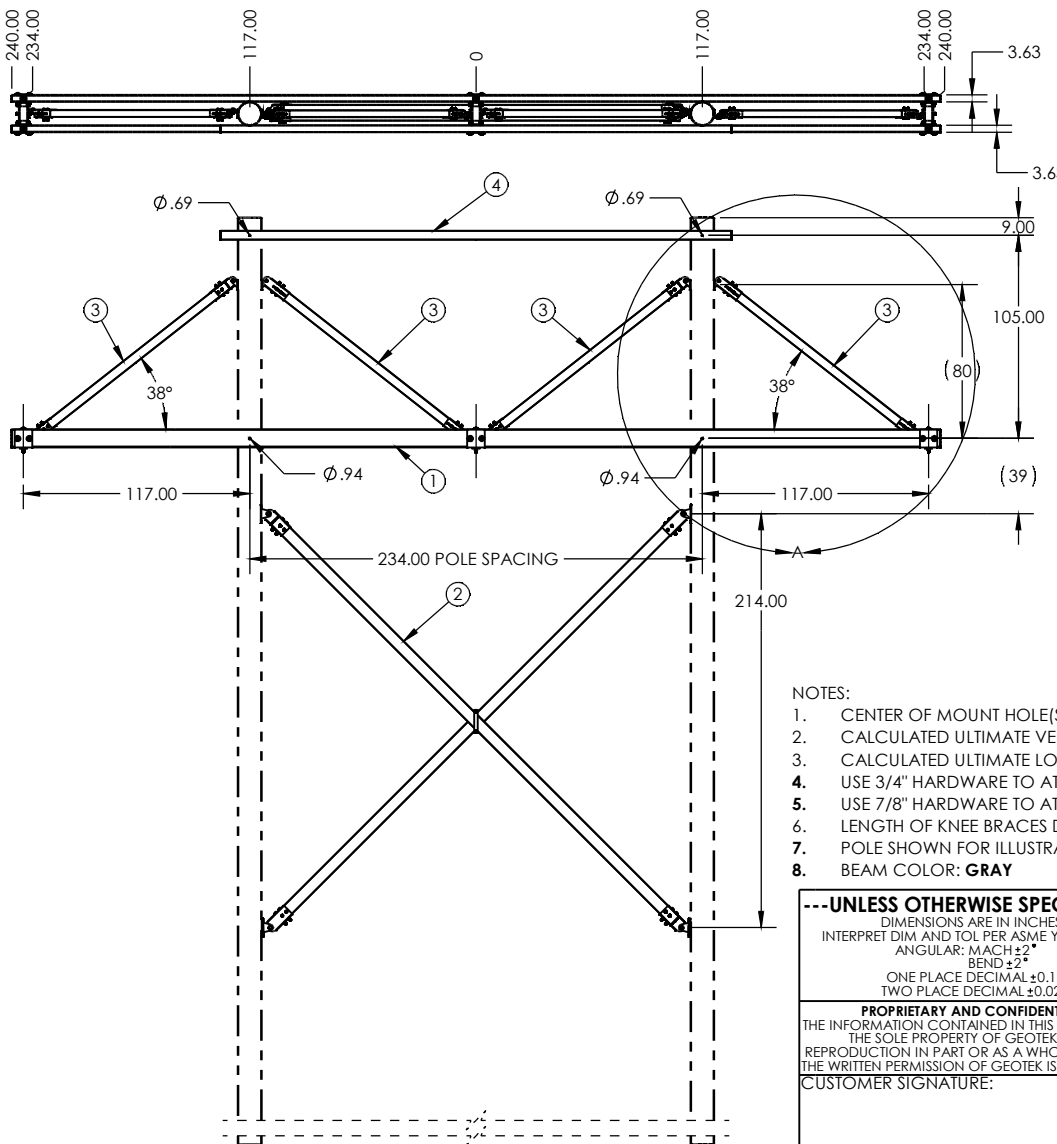


ITEM NO.	PART NUMBER	DESCRIPTION	Description2	QTY.
1	TX502048081H2	TANGENT ASSEMBLY, SERIES 5000	480 in, CUSTOM SPECIFICATION	1
2	XBR40202341662	X-BRACE SYSTEM, SERIES 4000	234 in	1
3	K0135TM41562	KNEE BRACE ASSEMBLY, SERIES 3000	135.36 in	4
4	BX20002642882	BEAM ASSEMBLY, SERIES 2000	264 in, CUSTOM SPECIFICATION	1

**PUPI**<sup>®</sup>  
www.pupicrossarms.com

REVISIONS				
ECO	REV.	DESCRIPTION	DATE	INITIALS



- NOTES:
- CENTER OF MOUNT HOLE(S) TO HOLES TOLERANCE  $\pm 0.06$
  - CALCULATED ULTIMATE VERTICAL LOAD = 25,563 LBS. PER WIRE, 3 WIRES
  - CALCULATED ULTIMATE LONGITUDINAL LOAD = 6,780 LBS. PER WIRE, 3 WIRES
  - USE 3/4" HARDWARE TO ATTACH KNEE BRACES TO POLES **(NOT SUPPLIED BY GEOTEK)**
  - USE 7/8" HARDWARE TO ATTACH CROSS-ARMS TO POLES **(NOT SUPPLIED BY GEOTEK)**
  - LENGTH OF KNEE BRACES DETERMINED BY FINAL POLE DESIGN AND MOUNTING LOCATION
  - POLE SHOWN FOR ILLUSTRATION ONLY **(NOT SUPPLIED BY GEOTEK)**
  - BEAM COLOR: **GRAY**

<p>---UNLESS OTHERWISE SPECIFIED---</p> <p>DIMENSIONS ARE IN INCHES INTERPRET DIM AND TOL PER ASME Y14.5-2009 ANGULAR: MACH <math>\pm 2^\circ</math> BEND <math>\pm 2^\circ</math> ONE PLACE DECIMAL <math>\pm 0.1</math> TWO PLACE DECIMAL <math>\pm 0.02</math></p> <p>PROPRIETARY AND CONFIDENTIAL THE INFORMATION CONTAINED IN THIS DRAWING IS THE SOLE PROPERTY OF GEOTEK. ANY REPRODUCTION IN PART OR AS A WHOLE WITHOUT THE WRITTEN PERMISSION OF GEOTEK IS PROHIBITED.</p>	STATE:	REVIEW	2018-08-01
	DRAWN:	JCW	2018-08-01
	CHECKED:	JCW	2018-08-01
	APPROVED:		
THIRD ANGLE PROJECTION		DATE:	

**GEOTEK**  
A Whole New World of Composites

1421 SECOND AVE NW  
STEWARTVILLE, MN 55976  
(800) 533-1680  
www.geotekinc.com

DESCRIPTION:  
**TRANSMISSION SYSTEM**

CUSTOMER SIGNATURE:	DATE:	SIZE: DWG. NO. <b>B S100288</b>	BEAM COLOR: REV: <b>GRAY 0.0</b>
		SCALE: 1:96   WEIGHT: 1475.98 LBS.	SHEET 1 OF 1