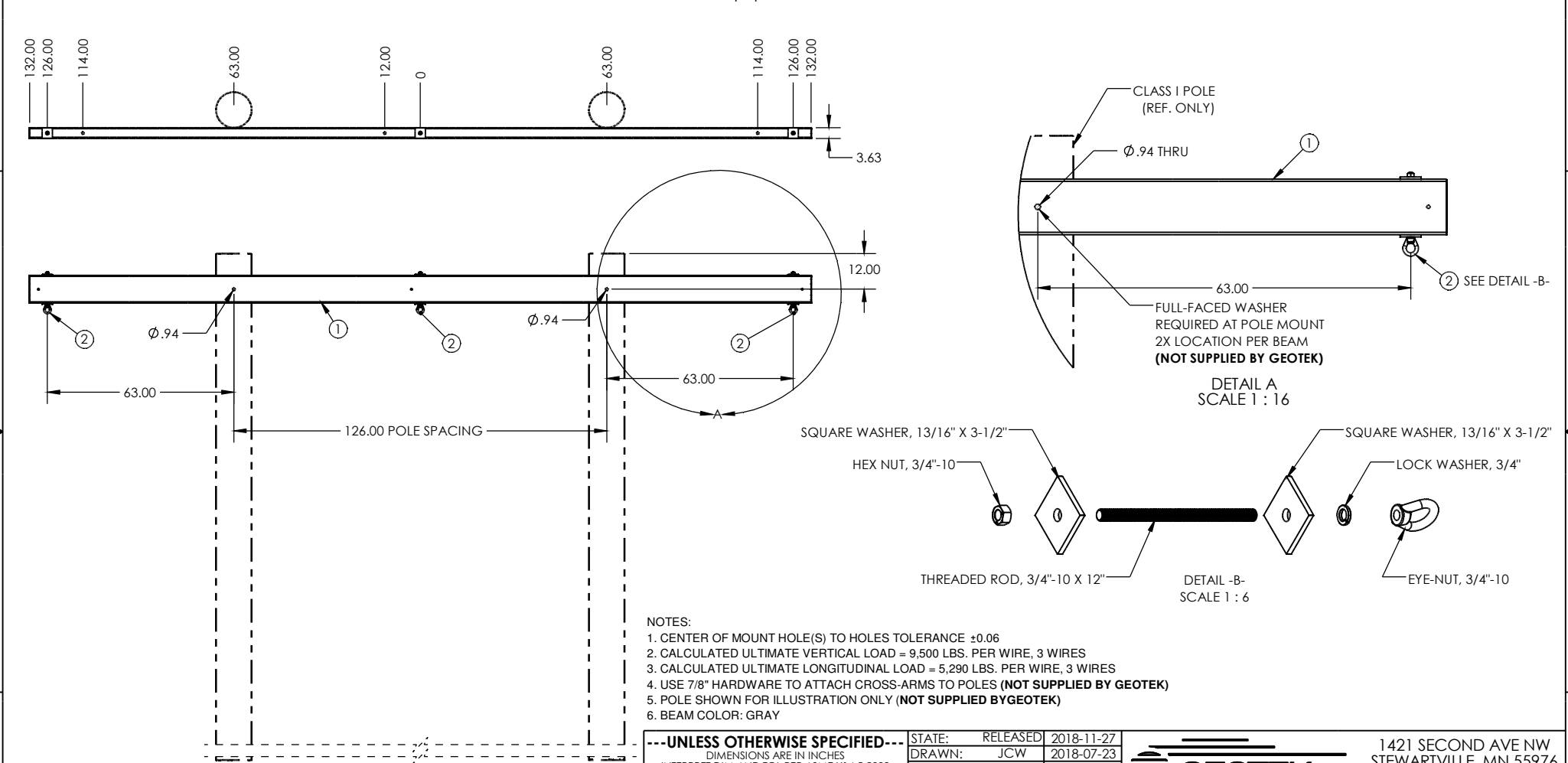


ITEM NO.	PART NUMBER	DESCRIPTION	Description2	QTY.
1	TX500026441H2	TANGENT ASSEMBLY, SERIES 5000	264 in, RUS 41	1
2	HDWR-BAEV	HARDWARE KIT, TANGENT	EYE BOLT, 5K	3



REVISIONS				
ECO	REV.	DESCRIPTION	DATE	INITIALS



- NOTES:
- CENTER OF MOUNT HOLE(S) TO HOLES TOLERANCE  $\pm 0.06$
  - CALCULATED ULTIMATE VERTICAL LOAD = 9,500 LBS. PER WIRE, 3 WIRES
  - CALCULATED ULTIMATE LONGITUDINAL LOAD = 5,290 LBS. PER WIRE, 3 WIRES
  - USE 7/8" HARDWARE TO ATTACH CROSS-ARMS TO POLES (NOT SUPPLIED BY GEOTEK)
  - POLE SHOWN FOR ILLUSTRATION ONLY (NOT SUPPLIED BY GEOTEK)
  - BEAM COLOR: GRAY

<p>---UNLESS OTHERWISE SPECIFIED---</p> <p>DIMENSIONS ARE IN INCHES          INTERPRET DIM AND TOL PER ASME Y14.5-2009          ANGULAR: MACH <math>\pm 2^\circ</math>          BEND <math>\pm 2^\circ</math>          ONE PLACE DECIMAL <math>\pm 0.1</math>          TWO PLACE DECIMAL <math>\pm 0.02</math></p>	STATE: RELEASED 2018-11-27	<p>1421 SECOND AVE NW          STEWARTVILLE, MN 55976          (800) 533-1680          www.geotekinc.com</p>
	DRAWN: JCW 2018-07-23 CHECKED: JCW 2018-07-23 APPROVED: NDH 2018-11-27 REPLACES: -	
<p>PROPRIETARY AND CONFIDENTIAL</p> <p>THE INFORMATION CONTAINED IN THIS DRAWING IS THE SOLE PROPERTY OF GEOTEK. ANY REPRODUCTION IN PART OR AS A WHOLE WITHOUT THE WRITTEN PERMISSION OF GEOTEK IS PROHIBITED.</p>	THIRD ANGLE PROJECTION 	DESCRIPTION: <b>TRANSMISSION SYSTEM</b>
CUSTOMER SIGNATURE:	DATE:	SIZE: DWG. NO. <b>B S100285</b> SCALE: 1:32   WEIGHT:
		BEAM COLOR: REV: <b>GRAY 0.0</b> SHEET 1 OF 1