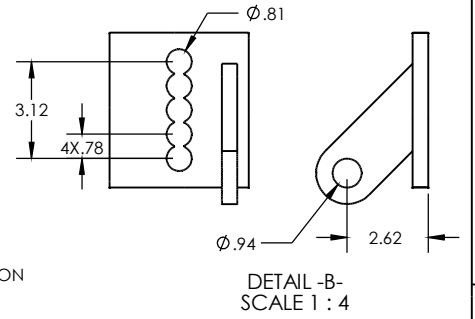
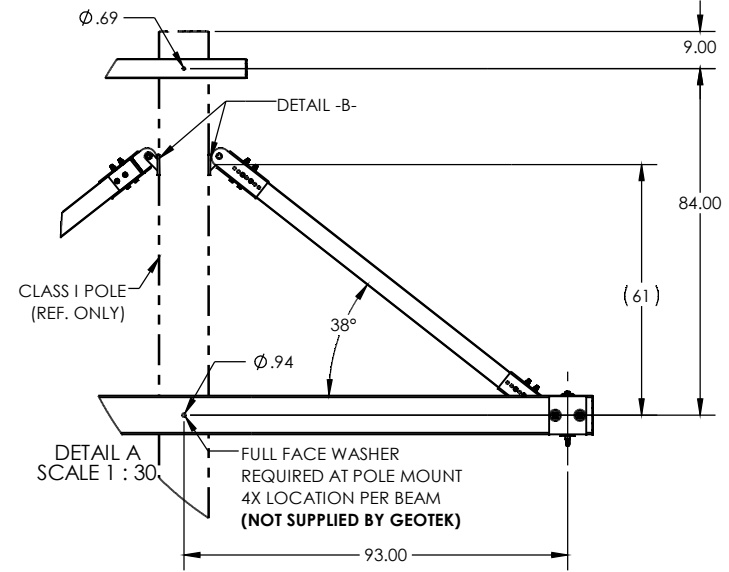
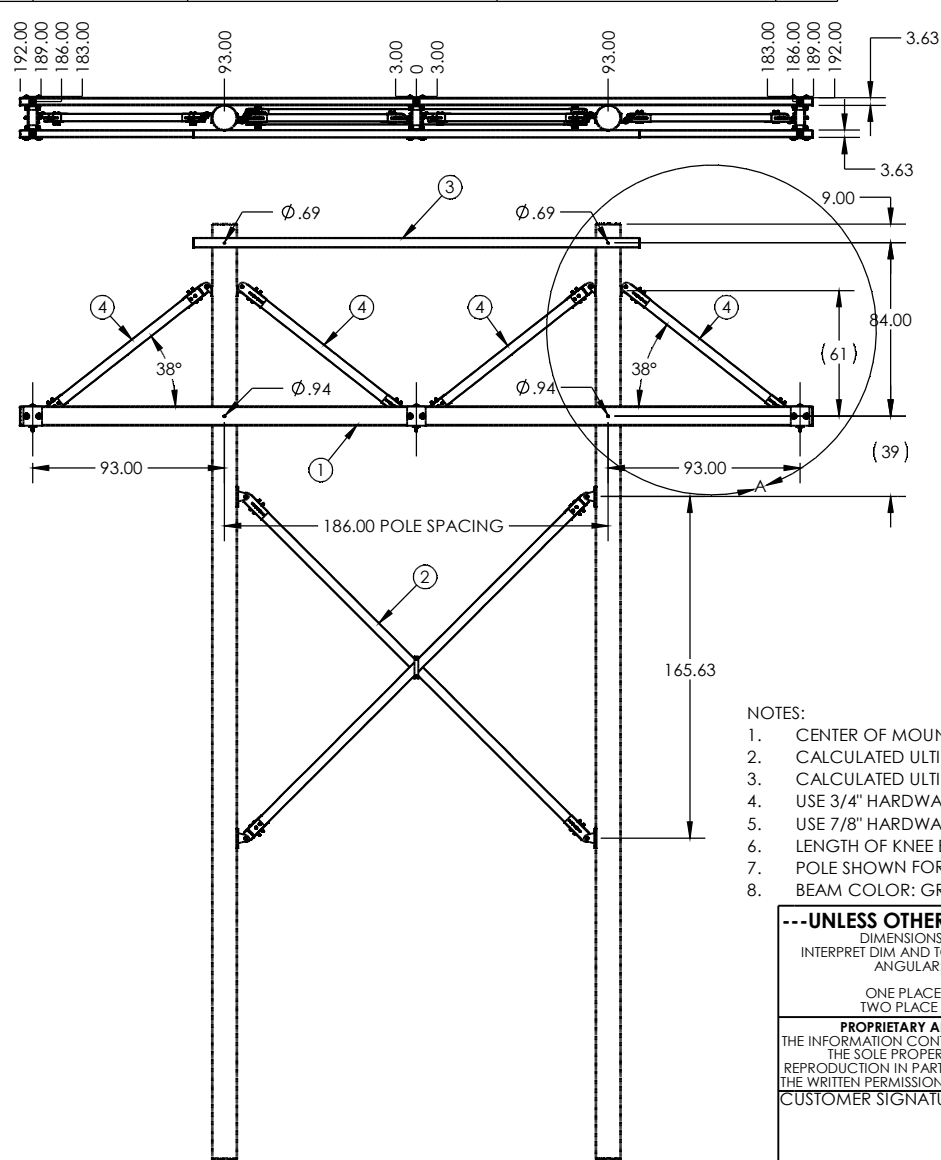


ITEM NO.	PART NUMBER	DESCRIPTION	Description2	QTY.
1	TX502038471H2	TANGENT ASSEMBLY, SERIES 5000	384 in, RUS 71	1
2	XBR3020186SPX2	X-BRACE SYSTEM, SERIES 3000	186 in	1
3	BX20002162872	BEAM ASSEMBLY, SERIES 2000	216 in, CUSTOM SPECIFICATION	1
4	KO105TM42062	KNEE BRACE ASSEMBLY, SERIES 3000	104.94	4



REVISIONS				
ECO	REV.	DESCRIPTION	DATE	INITIALS



- NOTES:
- CENTER OF MOUNT HOLE(S) TO HOLES TOLERANCE  $\pm 0.06$
  - CALCULATED ULTIMATE VERTICAL LOAD = 29,230 LBS. PER WIRE, 3 WIRES
  - CALCULATED ULTIMATE LONGITUDINAL LOAD = 8,530 LBS. PER WIRE, 3 WIRES
  - USE 3/4" HARDWARE TO ATTACH KNEE BRACES TO POLES (NOT SUPPLIED BY GEOTEK)
  - USE 7/8" HARDWARE TO ATTACH CROSS-ARMS TO POLES (NOT SUPPLIED BY GEOTEK)
  - LENGTH OF KNEE BRACES DETERMINED BY FINAL POLE DESIGN AND MOUNTING LOCATION
  - POLE SHOWN FOR ILLUSTRATION ONLY (NOT SUPPLIED BY GEOTEK)
  - BEAM COLOR: GRAY

<b>---UNLESS OTHERWISE SPECIFIED---</b> DIMENSIONS ARE IN INCHES INTERPRET DIM AND TOL PER ASME Y14.5-2009 ANGULAR: MACH $\pm 2^\circ$ BEND $\pm 2^\circ$ ONE PLACE DECIMAL $\pm 0.1$ TWO PLACE DECIMAL $\pm 0.02$	STATE: RELEASED 2018-09-24		1421 SECOND AVE NW STEWARTVILLE, MN 55976 (800) 533-1680 www.geotekinc.com
	DRAWN: JCW 2018-07-16 CHECKED: JCW 2018-07-16 APPROVED: CJD 2018-09-24 REPLACES: -		DESCRIPTION: <b>TRANSMISSION SYSTEM</b>
PROPRIETARY AND CONFIDENTIAL THE INFORMATION CONTAINED IN THIS DRAWING IS THE SOLE PROPERTY OF GEOTEK. ANY REPRODUCTION IN PART OR AS A WHOLE WITHOUT THE WRITTEN PERMISSION OF GEOTEK IS PROHIBITED.	THIRD ANGLE PROJECTION 	SIZE: DWG. NO. <b>B S100284</b>	BEAM COLOR: REV: <b>GRAY 0.0</b>
CUSTOMER SIGNATURE:	DATE:	SCALE: 1:60   WEIGHT: 1177.60 LBS.	SHEET 1 OF 1