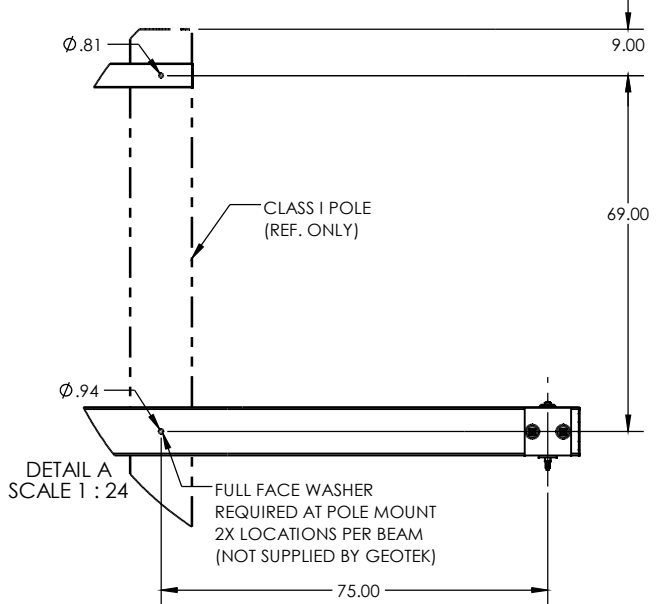
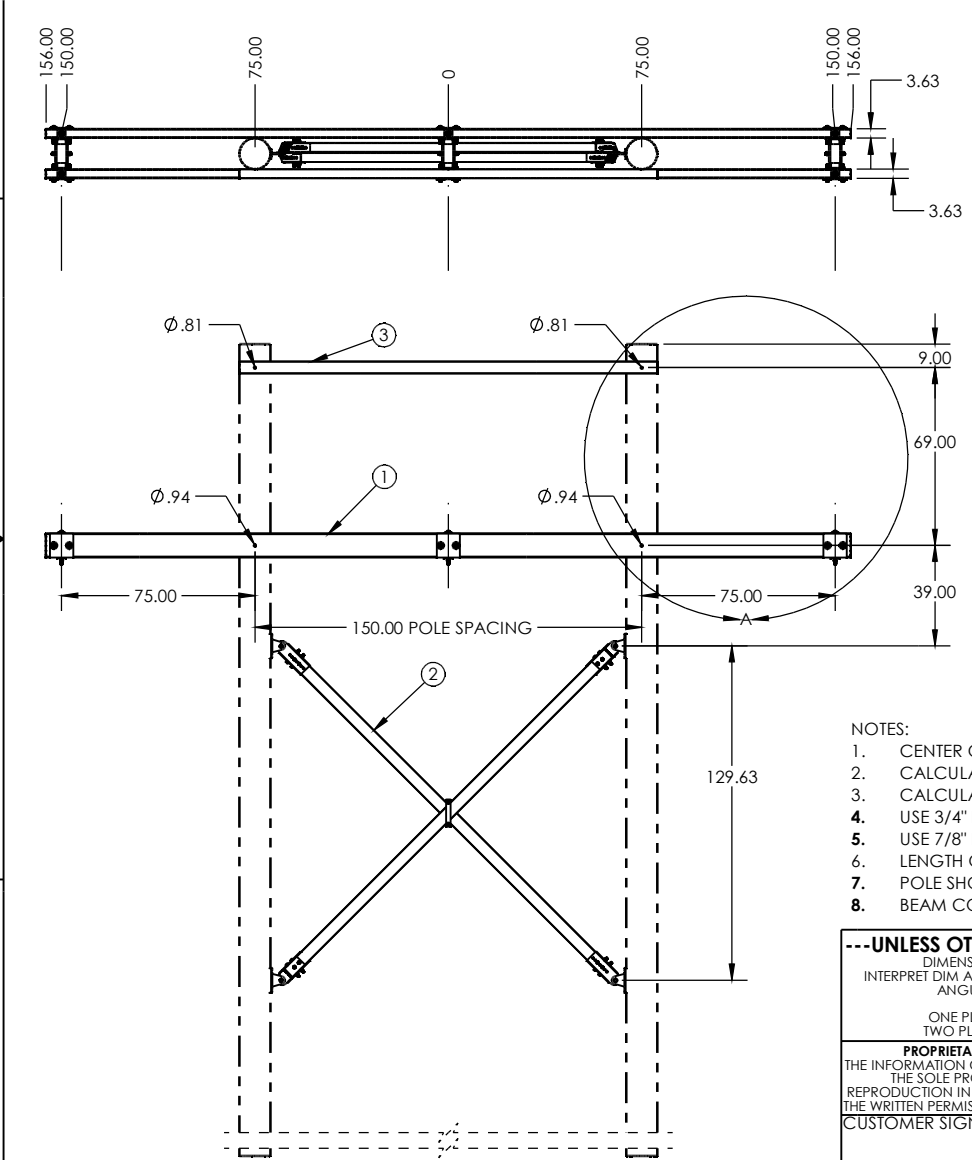


ITEM NO.	PART NUMBER	DESCRIPTION	Description2	QTY.
1	TX502031254H2	TANGENT ASSEMBLY, SERIES 5000	312 in, 54H	1
2	XBR3020150SPX2	X-BRACE SYSTEM, SERIES 3000	150 in	1
3	BX2000162SPX2	BEAM ASSEMBLY, SERIES 2000	162 in, CUSTOM SPECIFICATION	1



REVISIONS				
ECO	REV.	DESCRIPTION	DATE	INITIALS
	0.1	CORRECTED LONGITUDINAL LOAD RATING	2018-06-21	JCW



- NOTES:
- CENTER OF MOUNT HOLE(S) TO HOLES TOLERANCE ± 0.06
 - CALCULATED ULTIMATE VERTICAL LOAD = 21,300 LBS. PER WIRE, 3 WIRES
 - CALCULATED ULTIMATE LONGITUDINAL LOAD = 10,580 LBS. PER WIRE, 3 WIRES
 - USE 3/4" HARDWARE TO ATTACH KNEE BRACES TO POLES (**NOT SUPPLIED BY GEOTEK**)
 - USE 7/8" HARDWARE TO ATTACH CROSS-ARMS TO POLES (**NOT SUPPLIED BY GEOTEK**)
 - LENGTH OF KNEE BRACES DETERMINED BY FINAL POLE DESIGN AND MOUNTING LOCATION
 - POLE SHOWN FOR ILLUSTRATION ONLY (**NOT SUPPLIED BY GEOTEK**)
 - BEAM COLOR: **GRAY**

---UNLESS OTHERWISE SPECIFIED--- DIMENSIONS ARE IN INCHES INTERPRET DIM AND TOL PER ASME Y14.5-2009 ANGULAR: MACH $\pm 2^\circ$ BEND $\pm 2^\circ$ ONE PLACE DECIMAL ± 0.1 TWO PLACE DECIMAL ± 0.02	STATE:	REVIEW	2018-06-21
	DRAWN:	JCW	2018-05-03
	CHECKED:	JCW	2018-06-21
	APPROVED:		
PROPRIETARY AND CONFIDENTIAL THE INFORMATION CONTAINED IN THIS DRAWING IS THE SOLE PROPERTY OF GEOTEK. ANY REPRODUCTION IN PART OR AS A WHOLE WITHOUT THE WRITTEN PERMISSION OF GEOTEK IS PROHIBITED.		THIRD ANGLE PROJECTION 	

A Whole New World of Composites

1421 SECOND AVE NW
STEWARTVILLE, MN 55976
(800) 533-1680
www.geotekinc.com

DESCRIPTION:
TRANSMISSION SYSTEM

CUSTOMER SIGNATURE:	DATE:	SIZE: DWG. NO. B S100264	BEAM COLOR: REV: GRAY 0.1
		SCALE: 1:48 WEIGHT: 762.37 LBS.	SHEET 1 OF 1