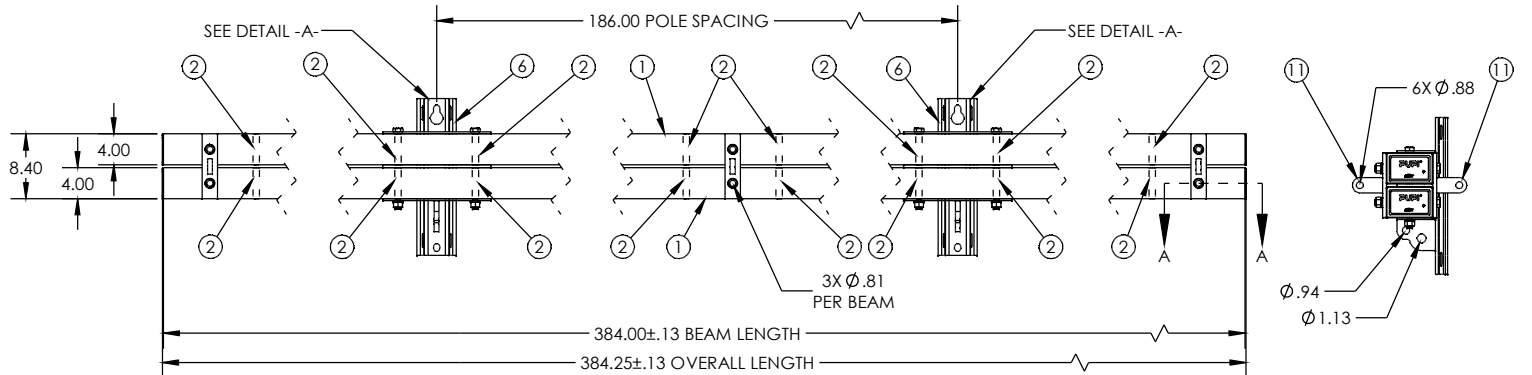
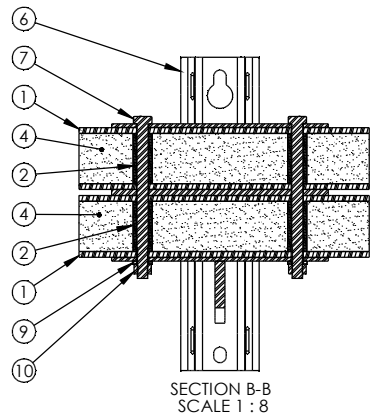
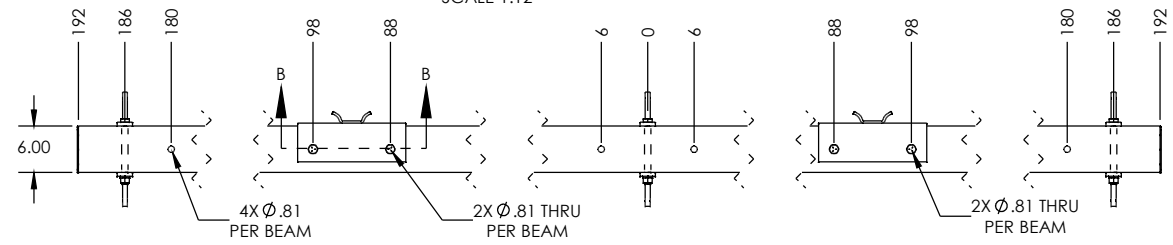
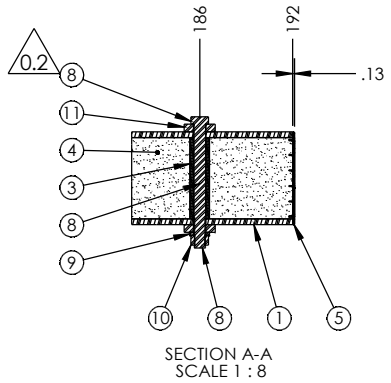
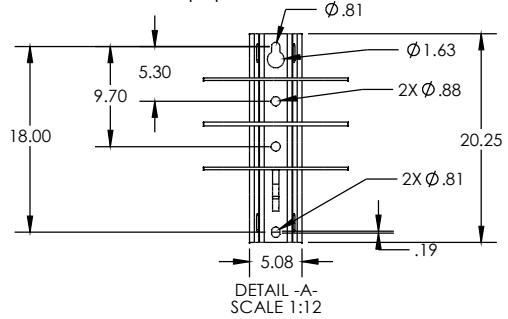


ITEM NO.	PART NUMBER	DESCRIPTION	DESCRIPTION 2	QTY
1	FB-384-4000-2	BEAM, PULTRUDED STOCK	SERIES 4000 x 384 in, GRAY	2
2	TG0813-0054	BUSHING	13/16 in x 3-1/4 in	16
3	TG0813-0053	BUSHING	13/16 in x 5-1/4 in	6
4	FOAM	-	-	2
5	EC40-0006-2	END CAP	SERIES 4000, GRAY	4
6	DM-0038	MOUNT ASSEMBLY, DEADEND	DE2NS, SPECIAL	2
7	HB0750-0007	HEX BOLT	3/4 in - 10 x 10 in	4
8	HB0750-0006	HEX BOLT	3/4 in - 10 x 8 in	6
9	LW0750-0001	LOCK WASHER	3/4 in	10
10	HN0750-0001	HEX NUT	3/4 in - 10	10
11	BK-0020	BRACKET ASSEMBLY, DE2		6

PUPI[®]
www.pupicrossarms.com

REV.	DESCRIPTION	DATE	INITIALS
0.1	FIX QUANTITY USAGE WITH ITEM 8 THRU 11	2013-09-25	RAF
0.2	REPLACE HB0750-0016 WITH HB0750-0006	2015-04-07	RAF
0.3	UPDATE DRAWING FORMAT	2017-02-07	RAF
0.4	ADD LOAD RATINGS	2017-08-21	AJH



NOTES:
 1. CENTER OF MOUNT HOLE(S) TO HOLES TOLERANCE ±0.06
 2. CALCULATED ULTIMATE LONGITUDINAL LOAD = 22,400 LBS. PER WIRE, 3 WIRES
 3. CALCULATED ULTIMATE VERTICAL LOAD = 16,000 LBS. PER WIRE, 3 WIRES
 4. GEOTEK RECOMMENDS THAT MAXIMUM WORKING LOAD NOT TO EXCEED 50% OF CALCULATED ULTIMATE LOADS

---UNLESS OTHERWISE SPECIFIED---
 DIMENSIONS ARE IN INCHES
 INTERPRET DIM AND TOL PER ASME Y14.5-2009
 ANGULAR: MACH ±2°
 BEND ±2°
 ONE PLACE DECIMAL ±0.1
 TWO PLACE DECIMAL ±0.02

PROPRIETARY AND CONFIDENTIAL
 THE INFORMATION CONTAINED IN THIS DRAWING IS THE SOLE PROPERTY OF GEOTEK. ANY REPRODUCTION IN PART OR AS A WHOLE WITHOUT THE WRITTEN PERMISSION OF GEOTEK IS PROHIBITED.

CUSTOMER SIGNATURE: _____ DATE: _____

THIRD ANGLE PROJECTION

STATE: RELEASED 2017-08-21
 DRAWN: RAF 2013-09-24
 CHECKED: JCW 2017-08-21
 APPROVED: JCW 2017-08-21
 REPLACES: _____

GEOTEK
 A Whole New World of Composites

1421 SECOND AVE NW
 STEWARTVILLE, MN 55976
 (800) 533-1680
 www.geotekinc.com

DESCRIPTION:
DEADEND ASSEMBLY, SERIES 4000
384 in, CUSTOM SPECIFICATION

SIZE: DWG. NO. **B DD4020384E30622**
 SCALE: 1:16 | WEIGHT: 468 LBS

BEAM COLOR: **GRAY**
 REV: **0.4**

SHEET 1 OF 1