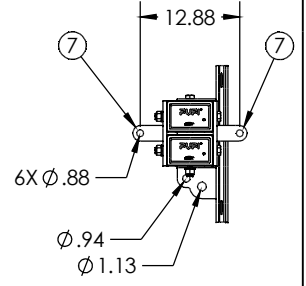
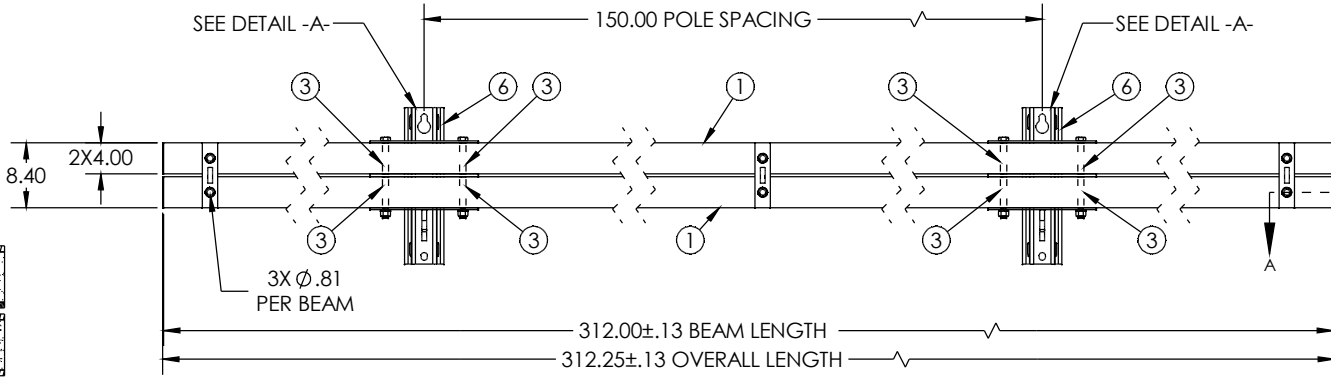
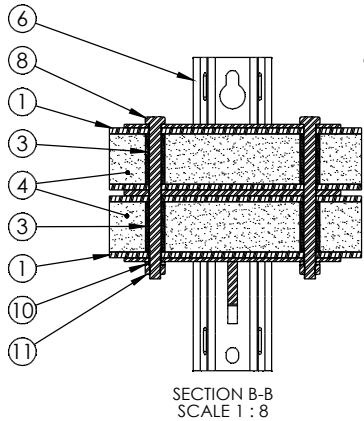
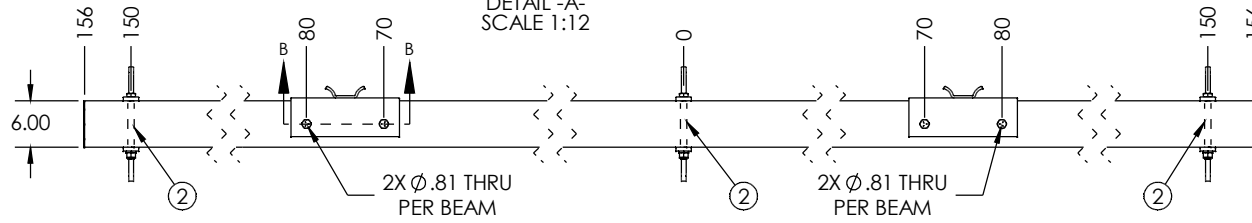
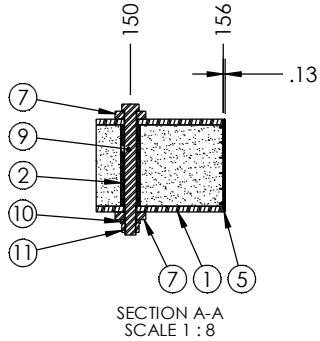
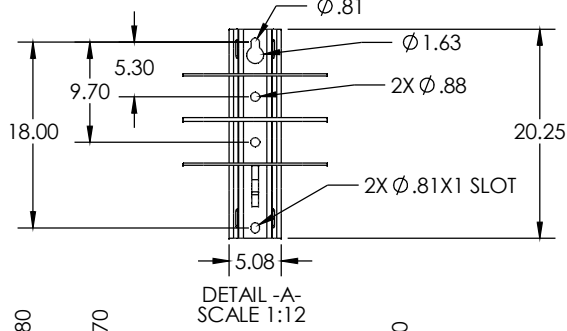


ITEM NO.	PART NUMBER	DESCRIPTION	DESCRIPTION 2	QTY
1	FB-312-4000-2	BEAM, PULTRUDED STOCK	SERIES 4000 x 312 in, GRAY	2
2	TG0813-0053	BUSHING	13/16 in x 5-1/4 in	6
3	TG0813-0054	BUSHING	13/16 in x 3-1/4 in	8
4	FOAM	-	-	2
5	EC40-0006-2	END CAP	SERIES 4000, GRAY	4
6	DM-0038	MOUNT ASSEMBLY, DEADEND	DE2NS, SPECIAL	2
7	BK-0020	BRACKET ASSEMBLY, DE2	-	6
8	HB0750-0007	HEX BOLT	3/4 in - 10 x 10 in	4
9	HB0750-0006	HEX BOLT	3/4 in - 10 x 8 in	6
10	LW0750-0001	LOCK WASHER	3/4 in	10
11	HN0750-0001	HEX NUT	3/4 in - 10	10

PUPI[®]
www.pupicrossarms.com

REVISIONS				
ECO	REV.	DESCRIPTION	DATE	INITIALS
1396	0.1	UPDATE DRAWING FORMAT	2016-02-02	RAF



NOTES:
1. CENTER OF MOUNT HOLE(S) TO HOLES TOLERANCE ±0.06

<p>---UNLESS OTHERWISE SPECIFIED---</p> <p>DIMENSIONS ARE IN INCHES</p> <p>INTERPRET DIM AND TOL PER ASME Y14.5-2009</p> <p>ANGULAR: MACH ±2°</p> <p>BEND ±2°</p> <p>ONE PLACE DECIMAL ±0.1</p> <p>TWO PLACE DECIMAL ±0.02</p> <p>PROPRIETARY AND CONFIDENTIAL</p> <p>THE INFORMATION CONTAINED IN THIS DRAWING IS THE SOLE PROPERTY OF GEOTEK. ANY REPRODUCTION IN PART OR AS A WHOLE WITHOUT THE WRITTEN PERMISSION OF GEOTEK IS PROHIBITED.</p> <p>CUSTOMER SIGNATURE:</p>	STATE: RELEASED	2016-02-05
	DRAWN: TRB	2015-05-12
	CHECKED: TRB	2016-02-05
	APPROVED: TRB	2016-02-05
	THIRD ANGLE PROJECTION	
	DATE:	

GEOTEK
A Whole New World of Composites

1421 SECOND AVE NW
STEWARTVILLE, MN 55976
(800) 533-1680
www.geotekinc.com

DESCRIPTION:
DEADEND ASSEMBLY, SERIES 4000
312 in, RUS 56

SIZE: DWG. NO. **B DD4020312E356H2**

SCALE: 1:16 | WEIGHT: 397 LBS

BEAM COLOR: **GRAY** | REV: **0.1**

SHEET 1 OF 1