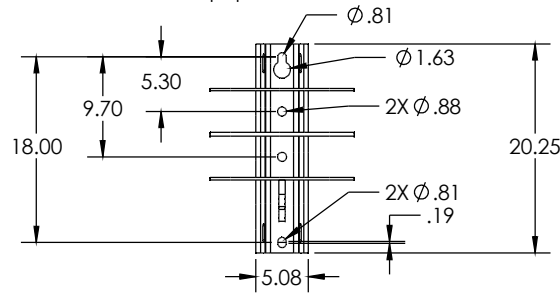


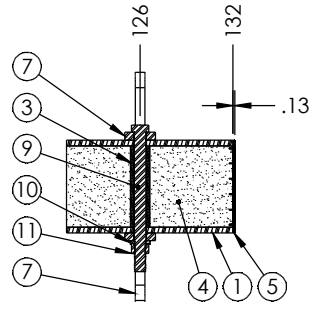
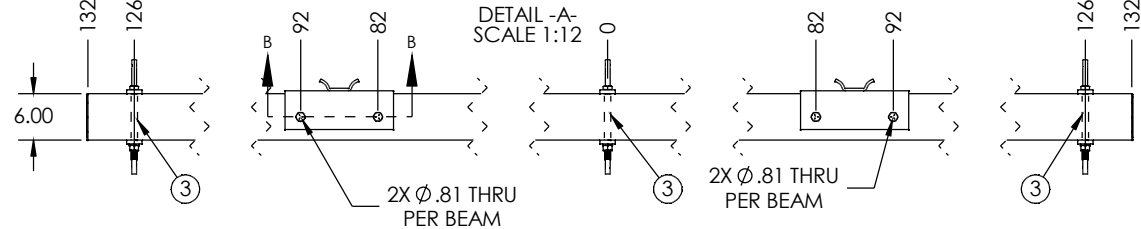
ITEM NO.	PART NUMBER	DESCRIPTION	DESCRIPTION 2	QTY
1	FB-264-4000-2	BEAM, PULTRUDED STOCK	SERIES 4000 x 264 in, GRAY	2
2	TG0813-0054	BUSHING	13/16 in x 3-1/4 in	8
3	TG0813-0053	BUSHING	13/16 in x 5-1/4 in	6
4	FOAM	-	-	2
5	EC40-0006-2	END CAP	SERIES 4000, GRAY	4
6	DM-0038	MOUNT ASSEMBLY, DEADEND	DE2NS, SPECIAL	2
7	BK-0020	BRACKET ASSEMBLY, DE2	-	6
8	HB0750-0007	HEX BOLT	3/4 in - 10 x 10 in	4
9	HB0750-0016	HEX BOLT	3/4 in - 10 x 9 in	6
10	LW0750-0001	LOCK WASHER	3/4 in	10
11	HN0750-0001	HEX NUT	3/4 in - 10	10

**PUPI**<sup>®</sup>  
www.pupicrossarms.com

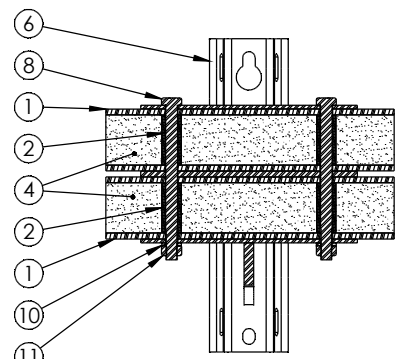
REV.	DESCRIPTION	DATE	INITIALS



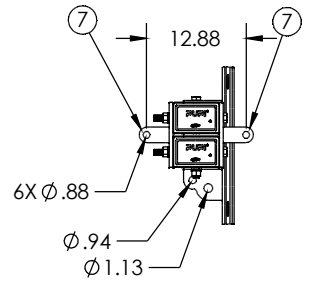
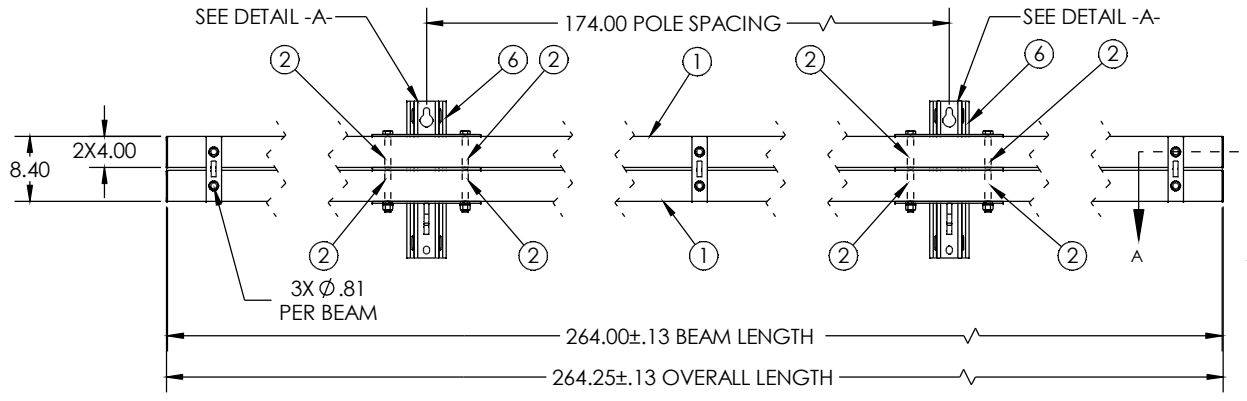
DETAIL -A-  
SCALE 1:12



SECTION A-A  
SCALE 1:8



SECTION B-B  
SCALE 1:8



- NOTES:  
 1. CENTER OF MOUNT HOLE(S) TO HOLES TOLERANCE ±0.06  
 2. CALCULATED ULTIMATE LONGITUDINAL LOAD = 29,670 LBS. PER WIRE, 3 WIRES  
 3. CALCULATED ULTIMATE VERTICAL LOAD = 23,030 LBS. PER WIRE, 3 WIRES  
 4. USE 3/4" HARDWARE TO ATTACH DEAD-END MOUNTS TO POLES (NOT SUPPLIED BY GEOTEK)

<b>---UNLESS OTHERWISE SPECIFIED---</b> DIMENSIONS ARE IN INCHES INTERPRET DIM AND TOL PER ASME Y14.5-2009 ANGULAR: MACH ±2° BEND ±2° ONE PLACE DECIMAL ±0.1 TWO PLACE DECIMAL ±0.02	STATE:	REVIEW	2018-06-22
	DRAWN:	JCW	2018-06-22
	CHECKED:	JCW	2018-06-22
	APPROVED:		
REPLACES:	-		
<b>PROPRIETARY AND CONFIDENTIAL</b> THE INFORMATION CONTAINED IN THIS DRAWING IS THE SOLE PROPERTY OF GEOTEK. ANY REPRODUCTION IN PART OR AS A WHOLE WITHOUT THE WRITTEN PERMISSION OF GEOTEK IS PROHIBITED.	THIRD ANGLE PROJECTION		
CUSTOMER SIGNATURE:	DATE:		

**GEOTEK**  
A Whole New World of Composites

1421 SECOND AVE NW  
STEWARTVILLE, MN 55976  
(800) 533-1680  
www.geotekinc.com

DESCRIPTION:  
**DEADEND ASSEMBLY, SERIES 4000**  
**264 in, RUS 42**

SIZE: DWG. NO.	BEAM COLOR:	REV:
<b>B DD4020264E342H2</b>	GRAY	0.0
SCALE: 1:16   WEIGHT: 352 LBS	SHEET 1 OF 1	