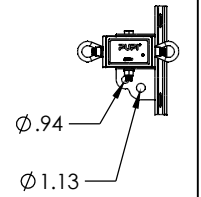
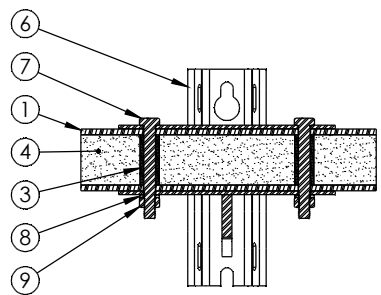
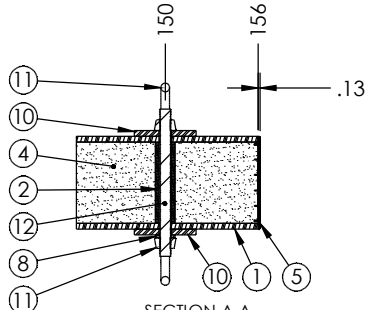
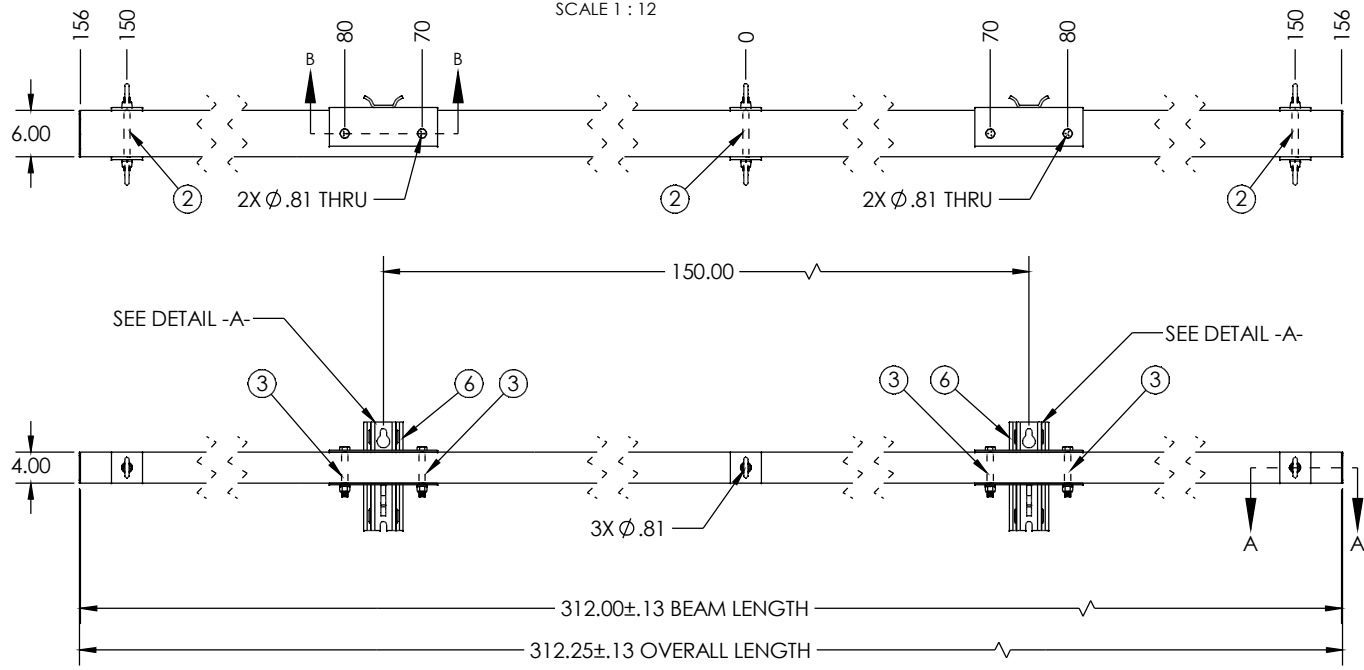
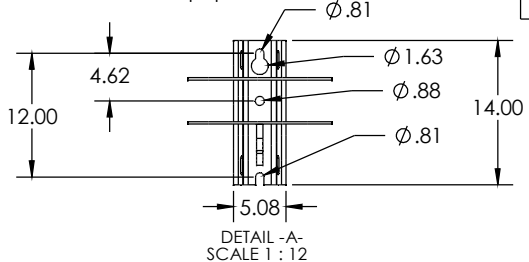


ITEM NO.	PART NUMBER	DESCRIPTION	DESCRIPTION 2	QTY
1	FB-312-4000-2	BEAM, PULTRUDED STOCK	SERIES 4000 x 312 in, GRAY	1
2	TG0813-0053	BUSHING	13/16 in x 5-1/4 in	3
3	TG0813-0054	BUSHING	13/16 in x 3-1/4 in	4
4	FOAM	-	-	1
5	EC40-0006-2	END CAP	SERIES 4000, GRAY	2
6	DM-0006	MOUNT ASSEMBLY, DEADEND	4KLH	2
7	HB0750-0003	HEX BOLT	3/4 in - 10 x 6 in	4
8	LW0750-0001	LOCK WASHER	3/4 in	7
9	HN0750-0001	HEX NUT	3/4 in - 10	4
10	SW0813-0005	SQUARE WASHER	13/16 in, 4 in x 3/8 in	6
11	EN0750-0002	EYE NUT	3/4 in - 10	6
12	TR0750-0003	THREADED ROD	3/4 in - 10 x 9-1/2 in	3

PUPI[®]
www.pupicrossarms.com

REVISIONS				
ECO	REV.	DESCRIPTION	DATE	INITIALS
	1.0	CHANGE BEAM DESIGN TO COMPLY WITH PUPI 56H STANDARD	2016-03-08	RAF
1884	1.1	UPDATE DRAWING FORMAT	2016-08-25	RAF
3619	1.2	ADD LOAD RATINGS	2017-09-20	AJH



- NOTES:
- CENTER OF MOUNT HOLE(S) TO HOLES TOLERANCE ± 0.06
 - CALCULATED ULTIMATE LONGITUDINAL LOAD = 8,600 LBS. PER WIRE, 3 WIRES
 - CALCULATED ULTIMATE VERTICAL LOAD = 6,700 LBS. PER WIRE, 3 WIRES
 - GEOTEK RECOMMENDS THAT MAXIMUM WORKING LOAD NOT TO EXCEED 50% OF CALCULATED ULTIMATE LOAD

---UNLESS OTHERWISE SPECIFIED---
DIMENSIONS ARE IN INCHES
INTERPRET DIM AND TOL PER ASME Y14.5-2009
ANGULAR: MACH $\pm 2^\circ$
BEND $\pm 2^\circ$
ONE PLACE DECIMAL ± 0.1
TWO PLACE DECIMAL ± 0.02

STATE: RELEASED 2017-09-20
DRAWN: RAF 2016-08-25
CHECKED: JCW 2017-09-20
APPROVED: JCW 2017-09-20
REPLACES: -

THIRD ANGLE PROJECTION

PROPRIETARY AND CONFIDENTIAL
THE INFORMATION CONTAINED IN THIS DRAWING IS THE SOLE PROPERTY OF GEOTEK. ANY REPRODUCTION IN PART OR AS A WHOLE WITHOUT THE WRITTEN PERMISSION OF GEOTEK IS PROHIBITED.

CUSTOMER SIGNATURE: _____ DATE: _____

GEOTEK
A Whole New World of Composites

1421 SECOND AVE NW
STEWARTVILLE, MN 55976
(800) 533-1680
www.geotekinc.com

DESCRIPTION:
DEADEND ASSEMBLY, SERIES 4000
312 in, RUS 56

SIZE: DWG. NO. **B DD4000312E356H2** BEAM COLOR: REV: **GRAY 1.2**

SCALE: 1:16 | WEIGHT: 210 LBS SHEET 1 OF 1