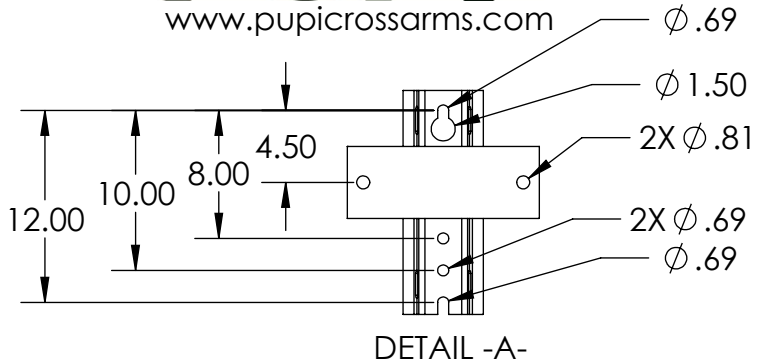


ITEM NO.	PART NUMBER	DESCRIPTION	DESCRIPTION 2	QTY
1	FB-120-1000-2	BEAM, PULTRUDED STOCK	SERIES 1000 x 120 in, GRAY	1
2	TG0563-0013	BUSHING	9/16 in x 3-11/16 in	3
3	TG0813-0018	BUSHING	13/16 in x 1-11/16 in	2
4	FOAM	-	-	1
5	EC10-0007-2	END CAP	SERIES 1000, GRAY	2
6	TM-0044	MOUNT ASSEMBLY, TANGENT	SD	1
7	PL-0003	PLATE, FRONT		1
8	HB0750-0005	HEX BOLT	3/4 in - 10 x 4 in	2
9	LW0750-0001	LOCK WASHER	3/4 in	2
10	HN0750-0001	HEX NUT	3/4 in - 10	2
11	BK-0118	ANGLE BRACKET		2
12	BK-0124	T-BRACKET		1
13	HB0500-0029	HEX BOLT	1/2 in - 13 x 5-1/2 in	3
14	CB0500-0008	CARRIAGE BOLT	1/2 in - 13 x 1-1/2 in	6
15	SW0563-0009	SQUARE WASHER	9/16 in, 2 in x 1/4 in	3
16	TW0500-0008	TOOTH LOCK WASHER	1/2 in	6
17	LW0500-0007	LOCK WASHER	1/2 in	9
18	HN0500-0005	HEX NUT	1/2 in - 13	9

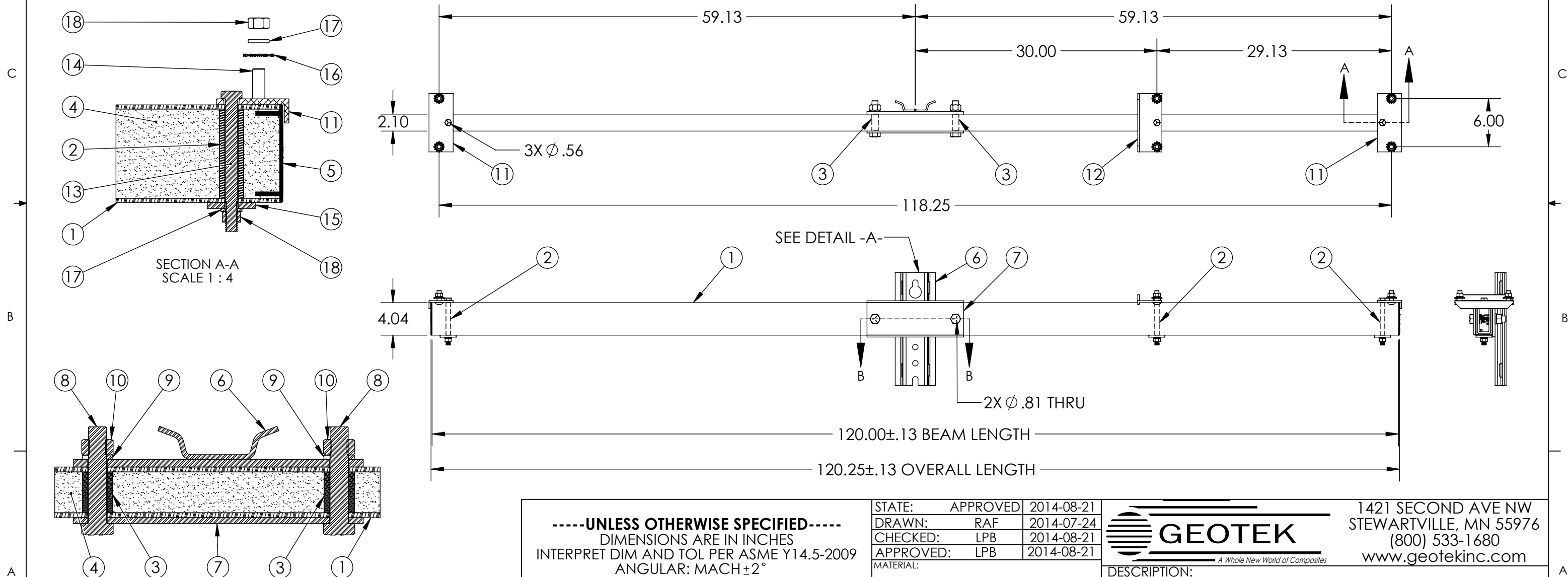
PUPI[®]

www.pupicrossarms.com

REVISIONS			
REV.	DESCRIPTION	DATE	INITIALS



DETAIL -A-



SECTION A-A
SCALE 1 : 4

SECTION B-B
SCALE 1 : 4

NOTES:
1. CENTER OF MOUNT HOLE(S) TO HOLES TOLERANCE ±0.06

-----UNLESS OTHERWISE SPECIFIED-----
 DIMENSIONS ARE IN INCHES
 INTERPRET DIM AND TOL PER ASME Y14.5-2009
 ANGULAR: MACH ±2°
 BEND ±2°
 TWO PLACE DECIMAL ±0.02
 THREE PLACE DECIMAL ±0.005

PROPRIETARY AND CONFIDENTIAL
 THE INFORMATION CONTAINED IN THIS DRAWING IS
 THE SOLE PROPERTY OF GEOTEK. ANY REPRODUCTION
 IN PART OR AS A WHOLE WITHOUT THE WRITTEN
 PERMISSION OF GEOTEK IS PROHIBITED.

STATE: APPROVED 2014-08-21
 DRAWN: RAF 2014-07-24
 CHECKED: LPB 2014-08-21
 APPROVED: LPB 2014-08-21
 MATERIAL:
 FINISH:
 REPLACES:

THIRD ANGLE PROJECTION

GEOTEK
A Whole New World of Composites

1421 SECOND AVE NW
 STEWARTVILLE, MN 55976
 (800) 533-1680
 www.geotekinc.com

DESCRIPTION:
EQUIPMENT ARM ASSEMBLY
SERIES 1000, 120 in

SIZE: DWG. NO. **B EB10001200012** REV: **0.0**
 SCALE: 1:12 WEIGHT: 37.53 LBS SHEET 1 OF 1