

ITEM NO.	PART NUMBER	DESCRIPTION	DESCRIPTION 2	QTY
1	FB-384-4000-2	BEAM, PULTRUDED STOCK	SERIES 4000 x 384 in, GRAY	2
2	TG0938-0056	BUSHING	15/16 in x 3-1/4 in	4
3	TG0813-0053	BUSHING	13/16 in x 5-1/4 in	12
4	FOAM	-	-	2
5	EC40-0006-2	END CAP	SERIES 4000, GRAY	4
6	BK-0059	BRACKET, SPACER	H-FRAME	3
7	SW0813-0005	SQUARE WASHER	13/16 in, 4 in x 3/8 in	12
8	HB0750-0006	HEX BOLT	3/4 in - 10 x 8 in	12
9	LW0750-0001	LOCK WASHER	3/4 in	12
10	HN0750-0001	HEX NUT	3/4 in - 10	12

**PUPI**<sup>®</sup>  
www.pupicrossarms.com

REVISIONS			
REV.	DESCRIPTION	DATE	INITIALS
0.1	REDESIGN MODEL TO FIT MULTIPLE POLE DIAMETERS	2013-10-25	RAF
0.2	CHANGE SHEET SIZE TO "B" WAS "C" SIZE, CLEARER ILLUSTRATION	2014-03-26	RAF

D

D

C

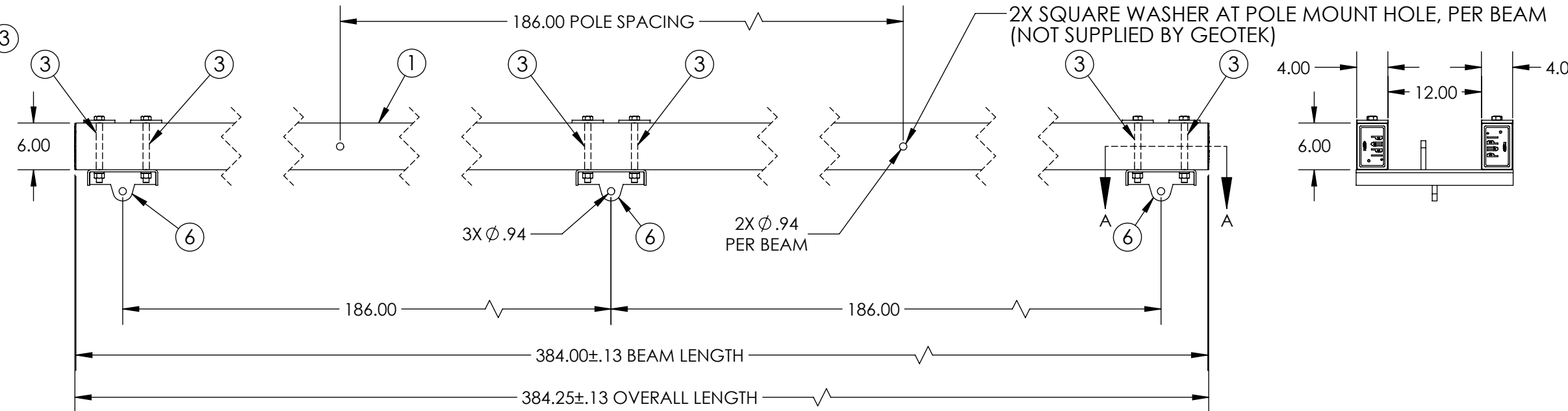
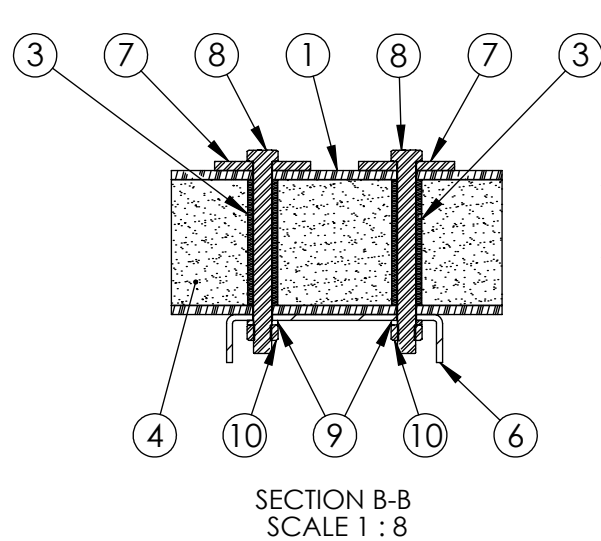
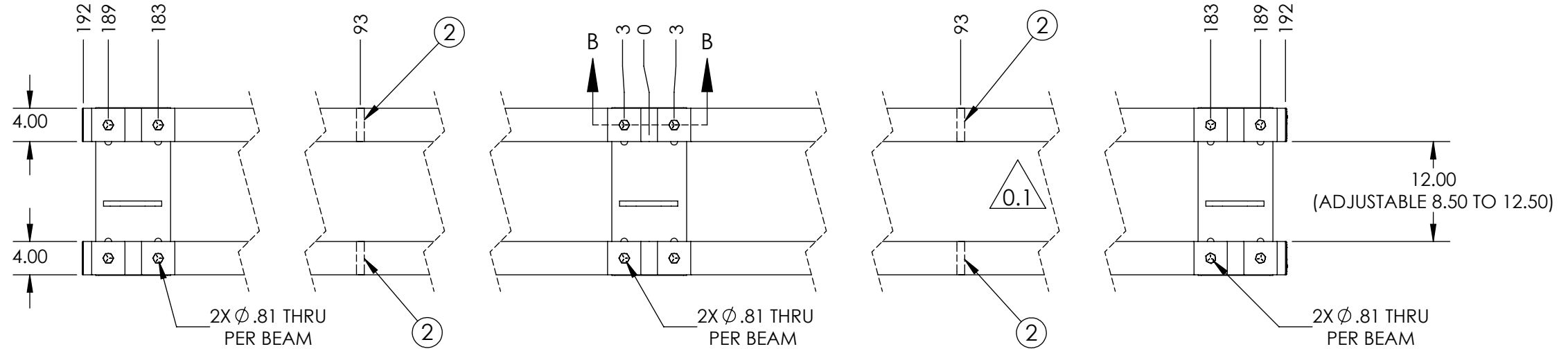
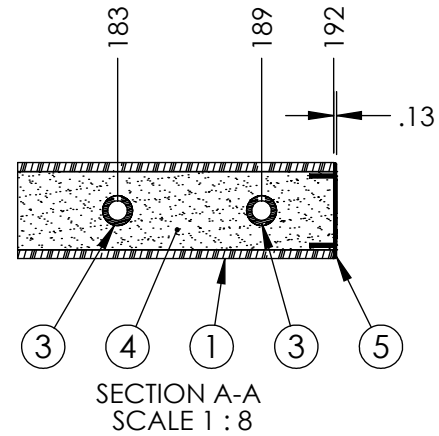
C

B

B

A

A



NOTES:  
1. CENTER OF MOUNT HOLE(S) TO HOLES TOLERANCE ±0.06

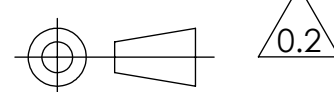
-----UNLESS OTHERWISE SPECIFIED-----  
DIMENSIONS ARE IN INCHES  
INTERPRET DIM AND TOL PER ASME Y14.5-2009  
ANGULAR: MACH ±2°  
BEND ±2°  
TWO PLACE DECIMAL ±0.02  
THREE PLACE DECIMAL ±0.005

**PROPRIETARY AND CONFIDENTIAL**  
THE INFORMATION CONTAINED IN THIS DRAWING IS THE SOLE PROPERTY OF GEOTEK. ANY REPRODUCTION IN PART OR AS A WHOLE WITHOUT THE WRITTEN PERMISSION OF GEOTEK IS PROHIBITED.

STATE: RELEASED 2014-03-28  
DRAWN: RAF 2013-07-18  
CHECKED: ENG 2014-03-28  
APPROVED: ENG 2014-03-28

MATERIAL:  
FINISH:  
REPLACES:

THIRD ANGLE PROJECTION



**GEOTEK**  
A Whole New World of Composites  
1421 SECOND AVE NW  
STEWARTVILLE, MN 55976  
(800) 533-1680  
www.geotekinc.com

DESCRIPTION:  
**TANGENT ASSEMBLY, SERIES 4000**  
**384 IN, RUS 71**

SIZE: DWG. NO. **B TX402038471H2** REV: **0.2**  
SCALE: 1:16 WEIGHT: 480.51 LBS SHEET 1 OF 1