

ITEM NO.	PART NUMBER	DESCRIPTION	DESCRIPTION 2	QTY
1	FB-312-4000-2	BEAM, PULTRUDED STOCK	SERIES 4000 x 312 in, GRAY	2
2	TG0938-0056	BUSHING	15/16 in x 3-1/4 in	4
3	TG0813-0053	BUSHING	13/16 in x 5-1/4 in	12
4	FOAM	-	-	2
5	EC40-0006-2	END CAP	SERIES 4000, GRAY	4
6	BK-0059	BRACKET, SPACER	H-FRAME	3
7	SW0813-0005	SQUARE WASHER	13/16 in, 4 in x 3/8 in	12
8	HB0750-0006	HEX BOLT	3/4 in - 10 x 8 in	12
9	LW0750-0001	LOCK WASHER	3/4 in	12
10	HN0750-0001	HEX NUT	3/4 in - 10	12

PUPI[®]
www.pupicrossarms.com

REVISIONS			
REV.	DESCRIPTION	DATE	INITIALS
0.1	REDESIGN MODEL TO BE ADJUSTABLE TO FIT ON CUSTOMER SPECIFIC POLES. CHANGE PRINT SIZE TO "B", WAS "C" FOR CLEARER ILLUSTRATION	2014-03-26	RAF

D

D

C

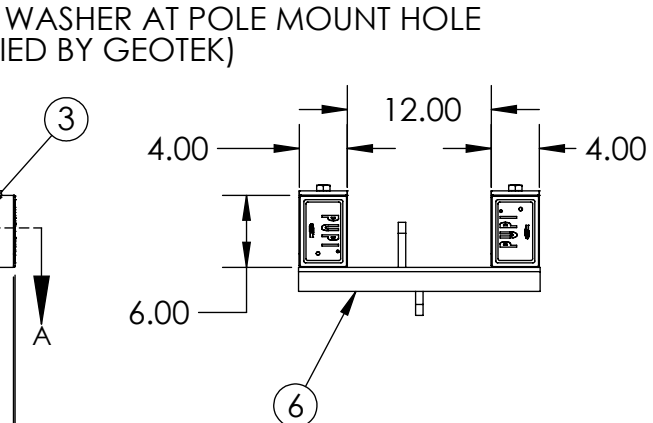
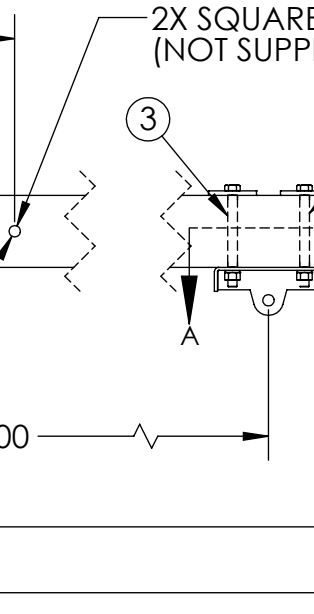
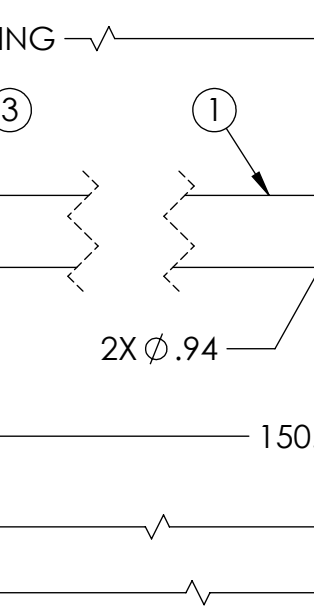
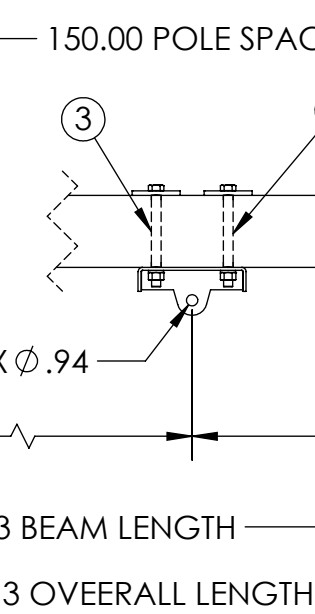
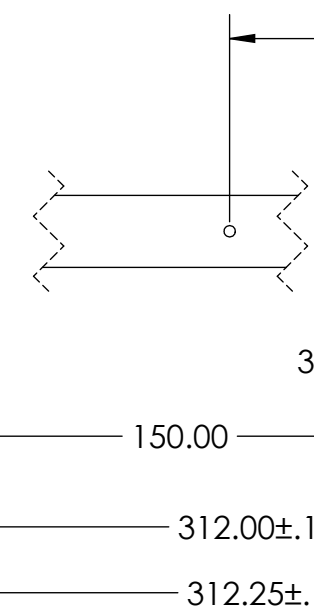
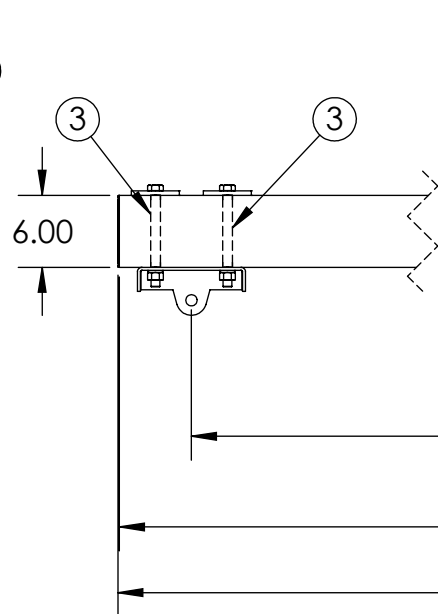
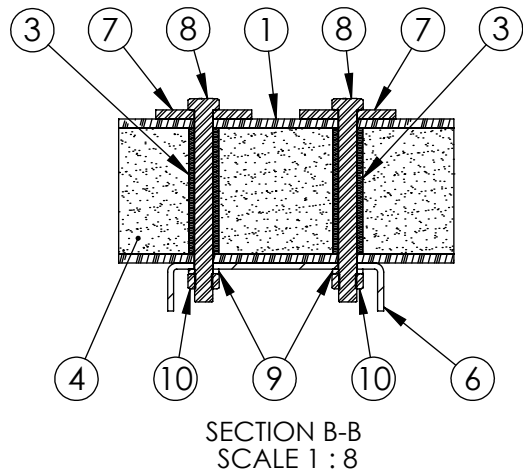
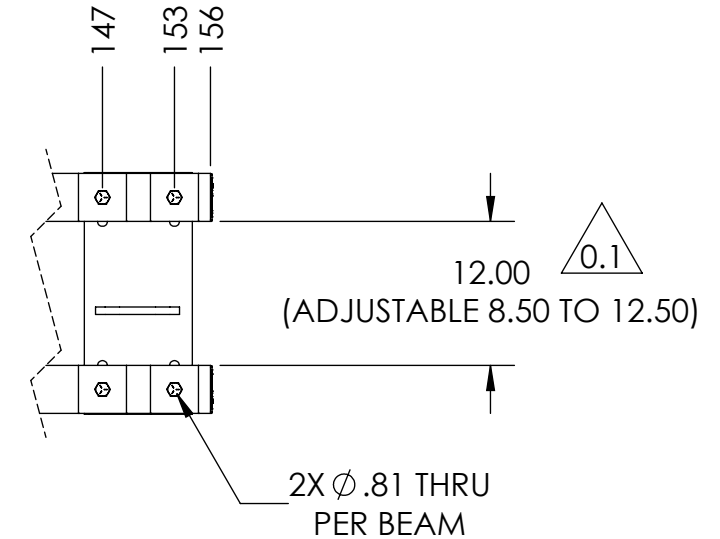
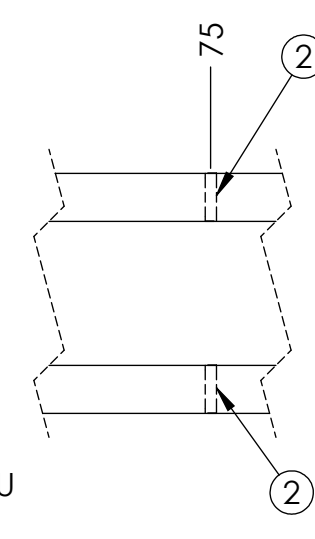
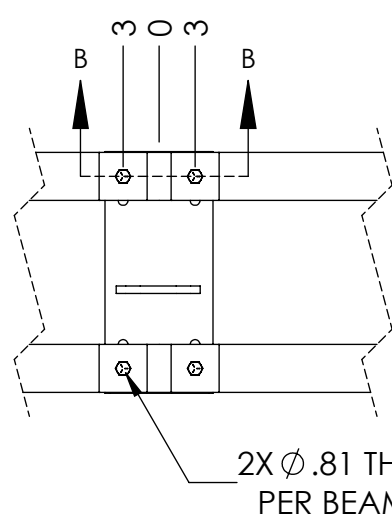
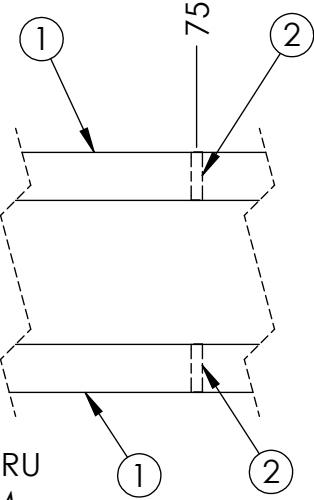
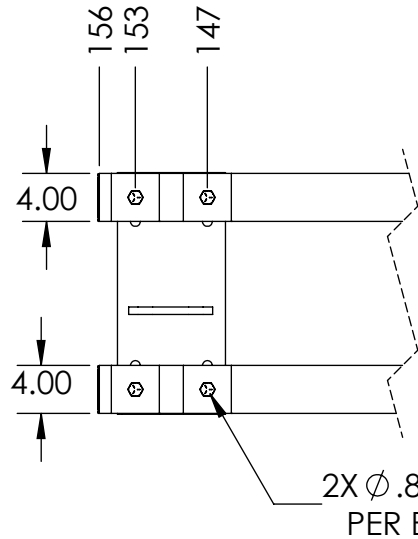
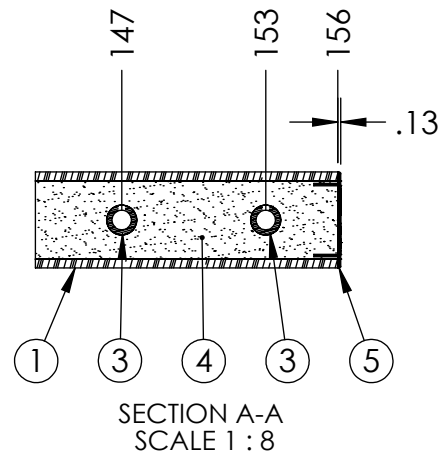
C

B

B

A

A



NOTES:
1. CENTER OF MOUNT HOLE(S) TO HOLES TOLERANCE ±0.06

-----UNLESS OTHERWISE SPECIFIED-----
DIMENSIONS ARE IN INCHES
INTERPRET DIM AND TOL PER ASME Y14.5-2009
ANGULAR: MACH ±2°
BEND ±2°
TWO PLACE DECIMAL ±0.02
THREE PLACE DECIMAL ±0.005

PROPRIETARY AND CONFIDENTIAL
THE INFORMATION CONTAINED IN THIS DRAWING IS THE SOLE PROPERTY OF GEOTEK. ANY REPRODUCTION IN PART OR AS A WHOLE WITHOUT THE WRITTEN PERMISSION OF GEOTEK IS PROHIBITED.

STATE: RELEASED 2014-03-28
DRAWN: RAF 2013-07-18
CHECKED: ENG 2014-03-28
APPROVED: ENG 2014-03-28
MATERIAL:
FINISH:
REPLACES: -

THIRD ANGLE PROJECTION

GEOTEK
A Whole New World of Composites

1421 SECOND AVE NW
STEWARTVILLE, MN 55976
(800) 533-1680
www.geotekinc.com

DESCRIPTION:
TANGENT ASSEMBLY, SERIES 4000
312 in, RUS 54

SIZE: DWG. NO. **B TX402031254H2** REV: **0.1**

SCALE: 1:16 WEIGHT: 411.13 LBS SHEET 1 OF 1