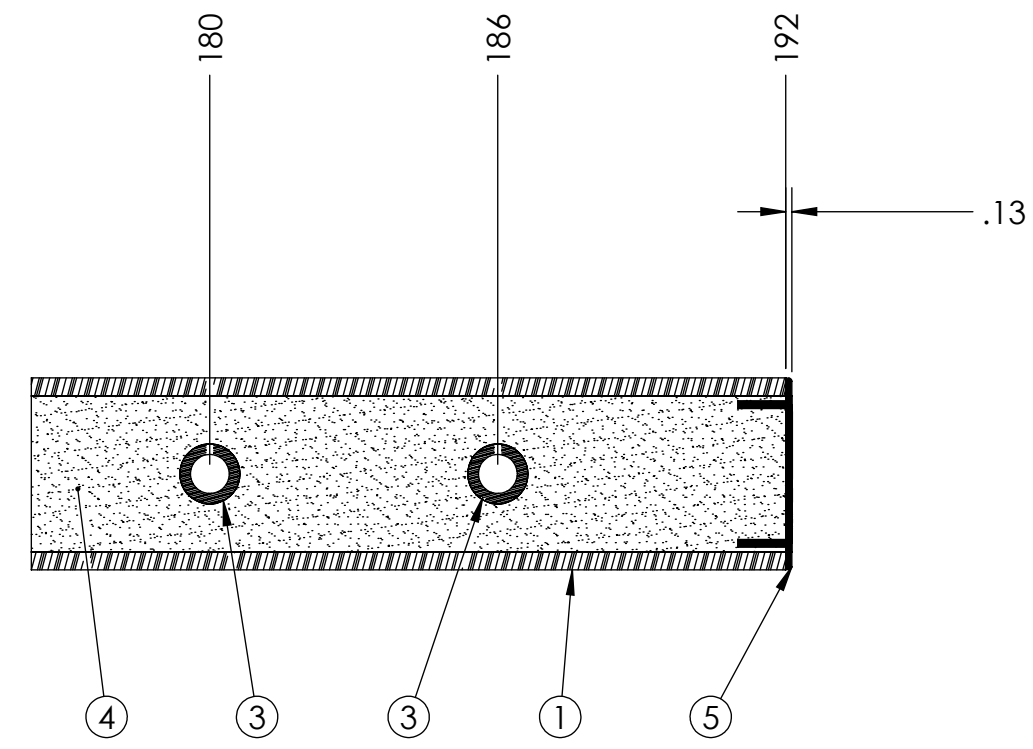


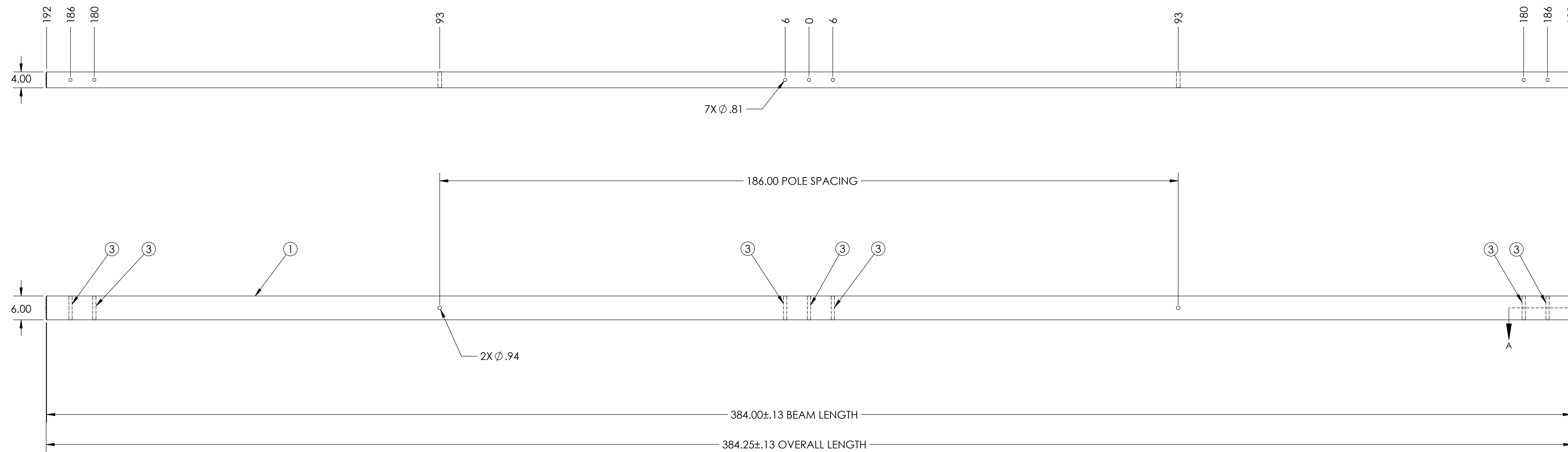
ITEM NO.	PART NUMBER	DESCRIPTION	DESCRIPTION 2	QTY
1	FB-384-4000-2	BEAM, PULTRUDED STOCK	SERIES 4000 x 384 in, GRAY	1
2	TG0938-0056	BUSHING	15/16 in x 3-1/4 in	2
3	TG0813-0053	BUSHING	13/16 in x 5-1/4 in	7
4	FOAM	-	-	1
5	EC40-0006-2	END CAP	SERIES 4000, GRAY	2



REVISIONS			
REV.	DESCRIPTION	DATE	INITIALS



SECTION A-A
SCALE 1 : 4



NOTES:
1. CENTER OF MOUNT HOLE(S) TO HOLES TOLERANCE ± 0.06

<p>-----UNLESS OTHERWISE SPECIFIED----- DIMENSIONS ARE IN INCHES INTERPRET DIM AND TOL PER ASME Y14.5-2009 ANGULAR: MACH $\pm 2^\circ$ BEND $\pm 2^\circ$ TWO PLACE DECIMAL ± 0.02 THREE PLACE DECIMAL ± 0.005</p>	STATE: RELEASED 2013-07-19	<p>1421 SECOND AVE NW STEWARTVILLE, MN 55976 (800)-533-1680 www.geotekinc.com</p>
	DRAWN: RAF 2013-07-18	
	CHECKED: CAS 2013-07-19	
	APPROVED: CAS 2013-07-19	
<p>PROPRIETARY AND CONFIDENTIAL THE INFORMATION CONTAINED IN THIS DRAWING IS THE SOLE PROPERTY OF GEOTEK. ANY REPRODUCTION IN PART OR AS A WHOLE WITHOUT THE WRITTEN PERMISSION OF GEOTEK IS PROHIBITED.</p>	<p>THIRD ANGLE PROJECTION</p>	<p>DESCRIPTION: TANGENT ASSEMBLY, SERIES 4000 384 in, RUS 71</p>
<p>SCALE: 1:16 WEIGHT: 187.12 LBS</p>	<p>SIZE DWG. NO. D TX400038471H2</p>	<p>REV 0.0</p>