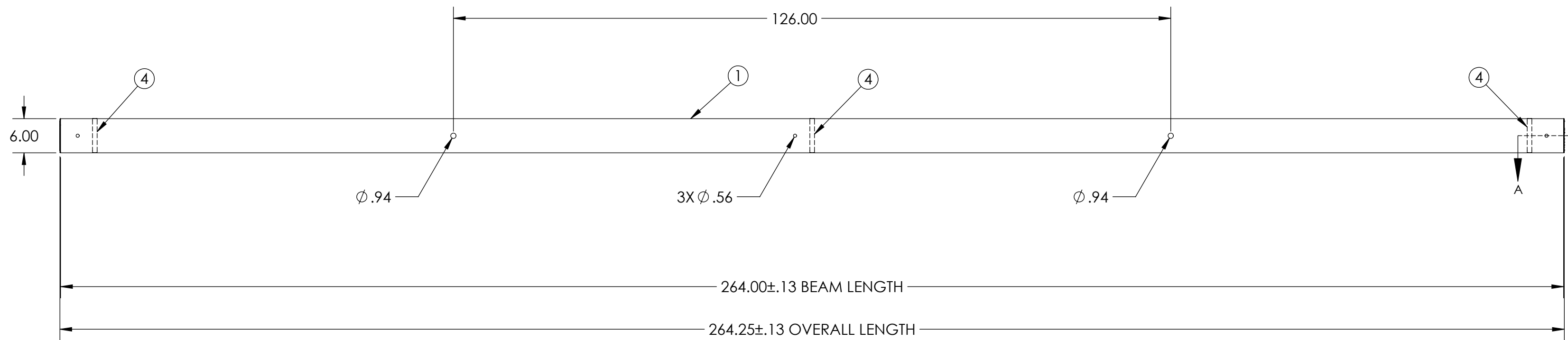
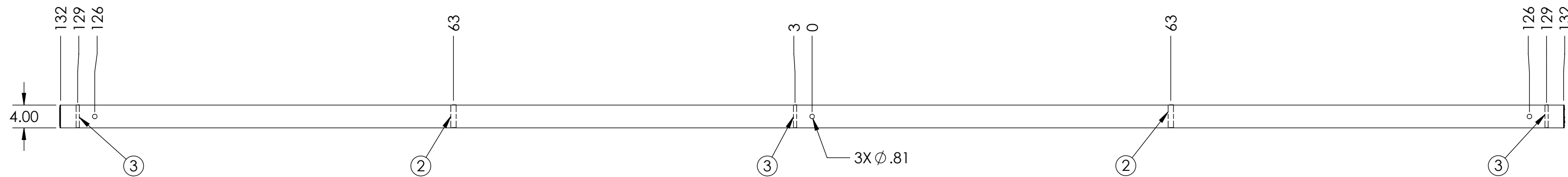
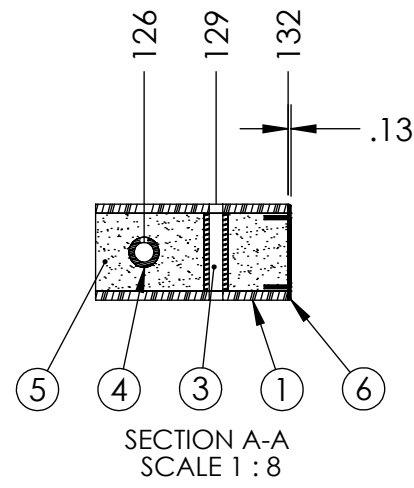


ITEM NO.	PART NUMBER	DESCRIPTION	DESCRIPTION 2	QTY
1	FB-264-4000-2	BEAM, PULTRUDED STOCK	SERIES 4000 x 264 in, GRAY	1
2	TG0938-0056	BUSHING	15/16 in x 3-1/4 in	2
3	TG0563-0050	BUSHING	9/16 in x 3-1/4 in	3
4	TG0813-0053	BUSHING	13/16 in x 5-1/4 in	3
5	FOAM	-	-	1
6	EC40-0006-2	END CAP	SERIES 4000, GRAY	2



REVISIONS			
REV.	DESCRIPTION	DATE	INITIALS
1.0	ADD NOTES 1, 2, & 3. ADD 10'-6" DIM, SHOW HOLE IN DETAIL A	2012-01-26	EFH
2.0	REMOVE HOLES TO MAKE DRAWING TH-1 STRUCTURE	2013-01-13	CAS
2.1	UPDATED LOAD RATINGS	2013-03-27	CAS
2.2	REDRAWN IN SOLIDWORKS	2013-03-28	RAF



- NOTES:
- CENTER OF MOUNT HOLE(S) TO HOLES TOLERANCE  $\pm 0.06$
  - ULTIMATE VERTICAL LOAD = 9,000 LBS PER WIRE, 3 WIRES
  - 6X6 WASHER RECOMMENDED AT EACH POLE MOUNT, WASHERS NOT SHOWN

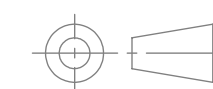
-----UNLESS OTHERWISE SPECIFIED-----  
 DIMENSIONS ARE IN INCHES  
 INTERPRET DIM AND TOL PER ASME Y14.5-2009  
 ANGULAR: MACH  $\pm 2^\circ$   
 BEND  $\pm 2^\circ$   
 TWO PLACE DECIMAL  $\pm 0.02$   
 THREE PLACE DECIMAL  $\pm 0.005$

**PROPRIETARY AND CONFIDENTIAL**  
 THE INFORMATION CONTAINED IN THIS DRAWING IS  
 THE SOLE PROPERTY OF GEOTEK. ANY  
 REPRODUCTION IN PART OR AS A WHOLE WITHOUT  
 THE WRITTEN PERMISSION OF GEOTEK IS PROHIBITED.

STATE:	RELEASED	2013-03-28
DRAWN:	RAF	2013-03-28
CHECKED:	CAS	2013-03-28
APPROVED:	CAS	2013-03-28

MATERIAL:  
 FINISH:  
 REPLACES:

THIRD ANGLE PROJECTION



**GEOTEK**  
*A Whole New World of Composites*  
 1421 SECOND AVE NW  
 STEWARTVILLE, MN 55976  
 (800)-533-1680  
 www.geotekinc.com

DESCRIPTION:  
**TANGENT ASSEMBLY, SERIES 4000**  
**264 in, RUS 41H**

SIZE	DWG. NO.	REV
<b>C</b>	<b>TX400026441H2</b>	<b>2.2</b>
SCALE: 1:16	WEIGHT: 128.76 LBS	SHEET 1 OF 1