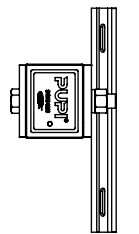
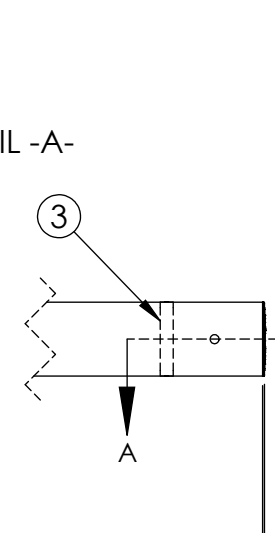
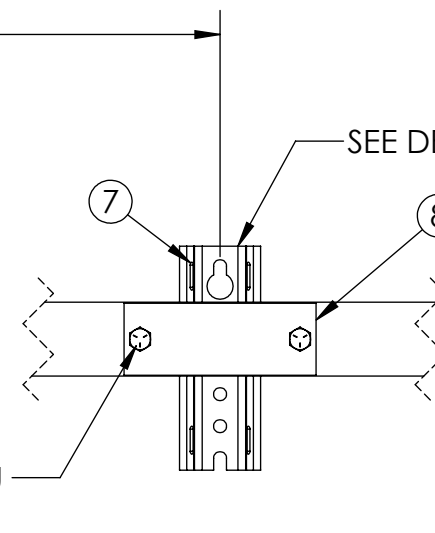
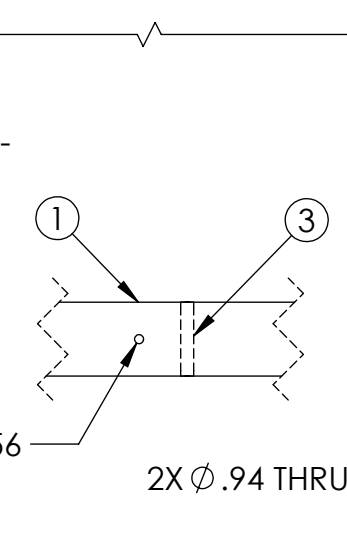
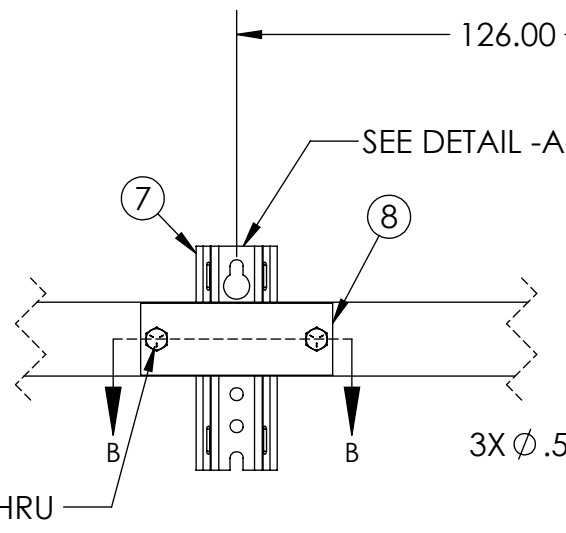
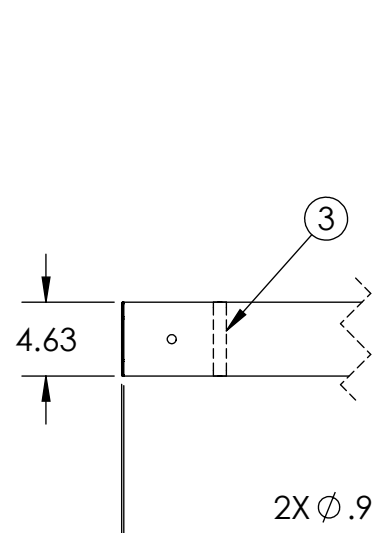
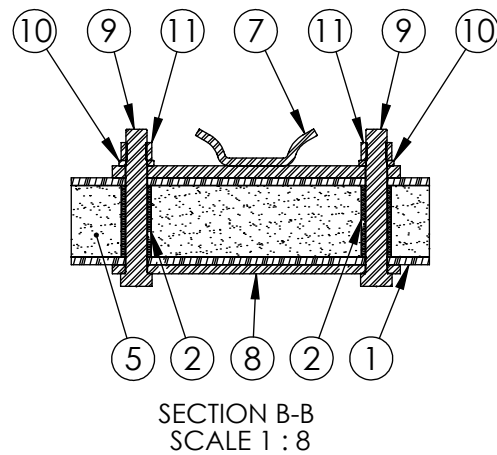
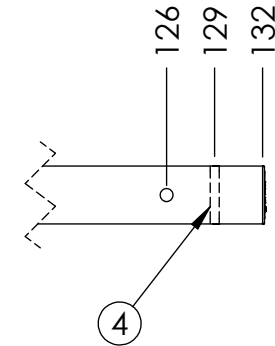
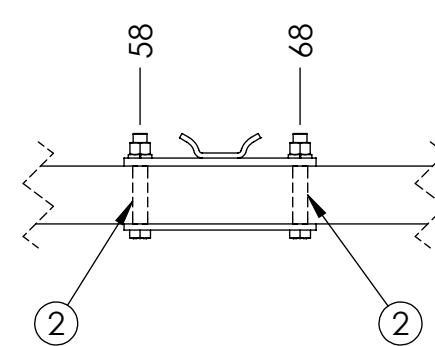
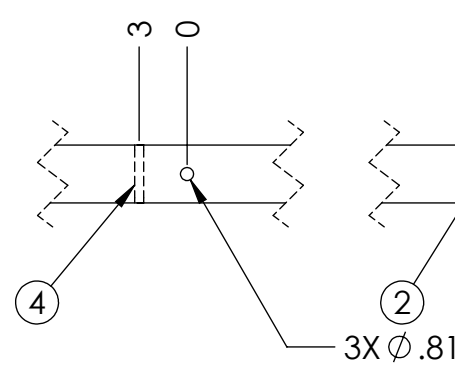
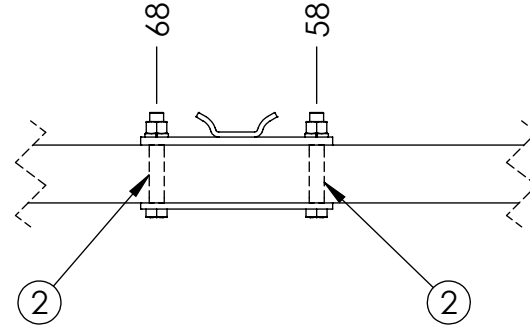
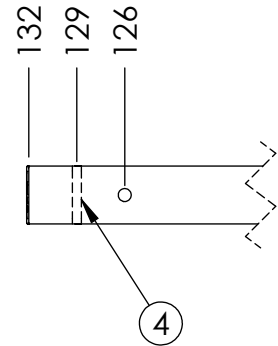
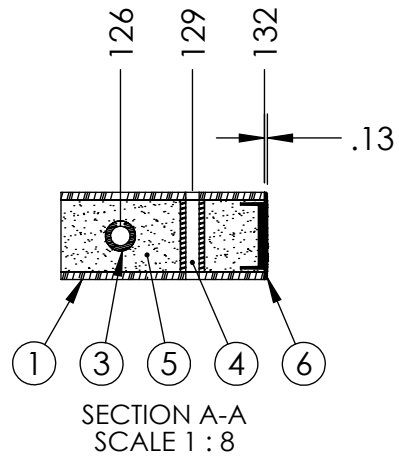
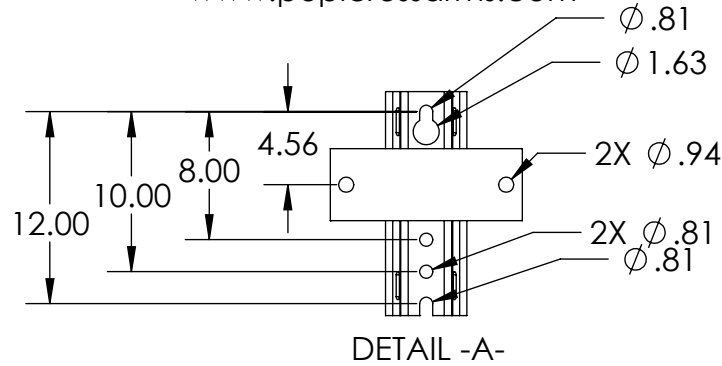


ITEM NO.	PART NUMBER	DESCRIPTION	DESCRIPTION 2	QTY
1	FB-264-3000-2	BEAM, PULTRUDED STOCK	SERIES 3000 x 264 in, GRAY	1
2	TG0938-0044	BUSHING	15/16 in x 3 in	4
3	TG0813-0041	BUSHING	13/16 in x 3-15/16 in	3
4	TG0563-0038	BUSHING	9/16 in x 3 in	3
5	FOAM	-	-	1
6	EC30-0002-2	END CAP	SERIES 3000, GRAY	2
7	TM-0031	MOUNT ASSEMBLY, TANGENT	SPECIAL	2
8	PL-0012	PLATE, FRONT		2
9	HB0875-0015	HEX BOLT	7/8 in - 9 x 6 in	4
10	LW0875-0010	LOCK WASHER	7/8 in	4
11	HN0875-0006	HEX NUT	7/8 in - 9	4

PUPI[®]
www.pupicrossarms.com

REVISIONS			
REV.	DESCRIPTION	DATE	INITIALS
0.1	REDRAWN IN SOLIDWORKS	2013-03-27	RAF
0.2	CORRECT LOAD RATING, CHANGE DRAWING LAYOUT	2014-05-15	RAF



126.00
264.00±.13 BEAM LENGTH
264.25±.13 OVERALL LENGTH

- NOTES:
1. CENTER OF MOUNT HOLE(S) TO HOLES TOLERANCE ±0.06
2. CALCULATED ULTIMATE VERTICAL LOAD = 6,000 LBS PER WIRE, 3 WIRES
3. RECOMMENDED MAXIMUM WORKING LOAD OF 50% OF ULTIMATE STRENGTH

0.2

-----UNLESS OTHERWISE SPECIFIED-----
DIMENSIONS ARE IN INCHES
INTERPRET DIM AND TOL PER ASME Y14.5-2009
ANGULAR: MACH ±2°
BEND ±2°
TWO PLACE DECIMAL ±0.02
THREE PLACE DECIMAL ±0.005

STATE: RELEASED 2014-05-15
DRAWN: RAF 2013-03-27
CHECKED: ENG 2014-05-15
APPROVED: ENG 2014-05-15

FINISH:
REPLACES:

THIRD ANGLE PROJECTION

PROPRIETARY AND CONFIDENTIAL
THE INFORMATION CONTAINED IN THIS DRAWING IS THE SOLE PROPERTY OF GEOTEK. ANY REPRODUCTION IN PART OR AS A WHOLE WITHOUT THE WRITTEN PERMISSION OF GEOTEK IS PROHIBITED.

1421 SECOND AVE NW
STEWARTVILLE, MN 55976
(800) 533-1680
www.geotekinc.com

GEOTEK
A Whole New World of Composites

DESCRIPTION:
TANGENT ASSEMBLY, SERIES 3000
264 in, RUS 41H

SIZE: DWG. NO. **B** TD300026441H2
SCALE: 1:12 WEIGHT: 141.41 LBS

REV: 0.2
SHEET 1 OF 1