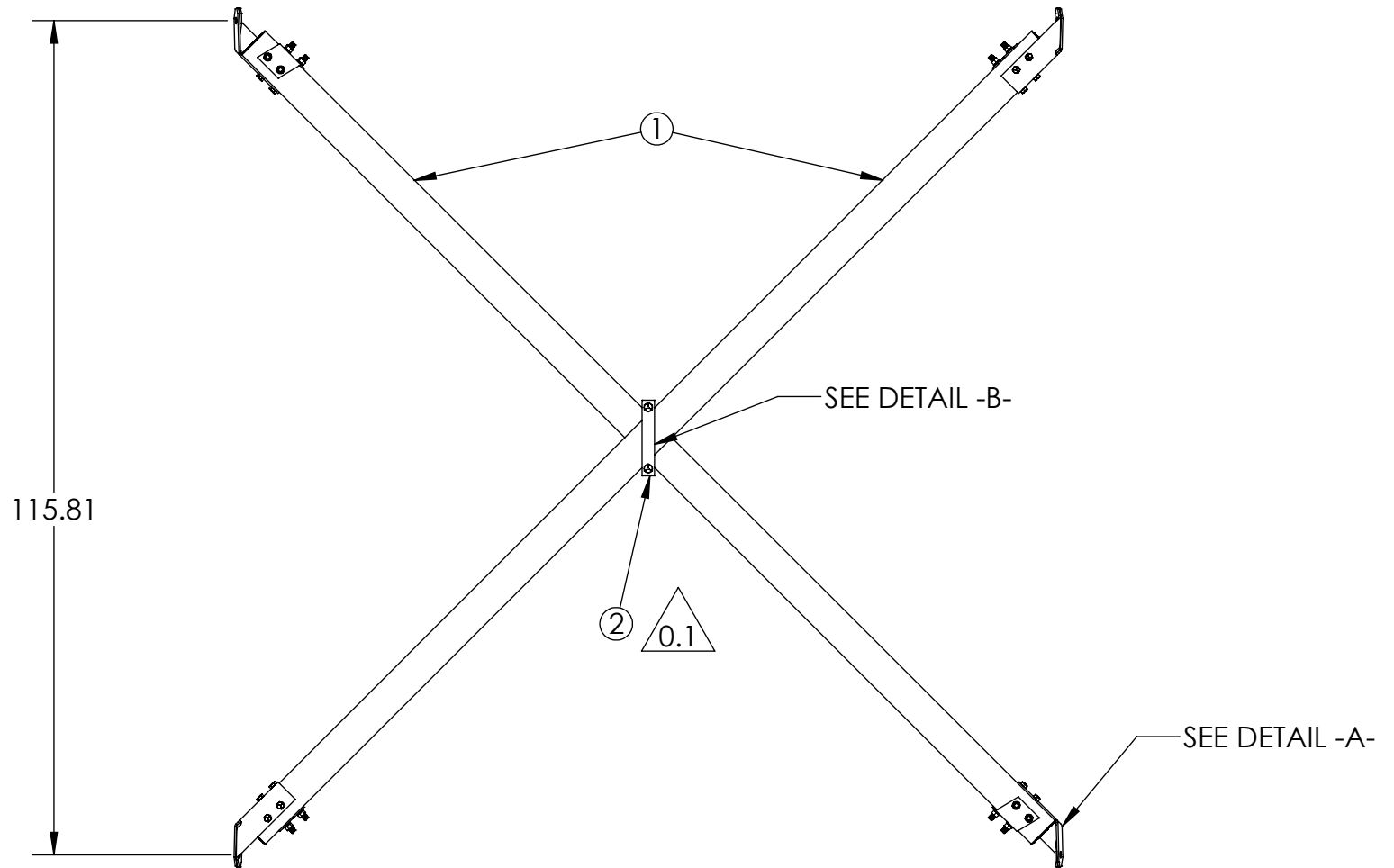
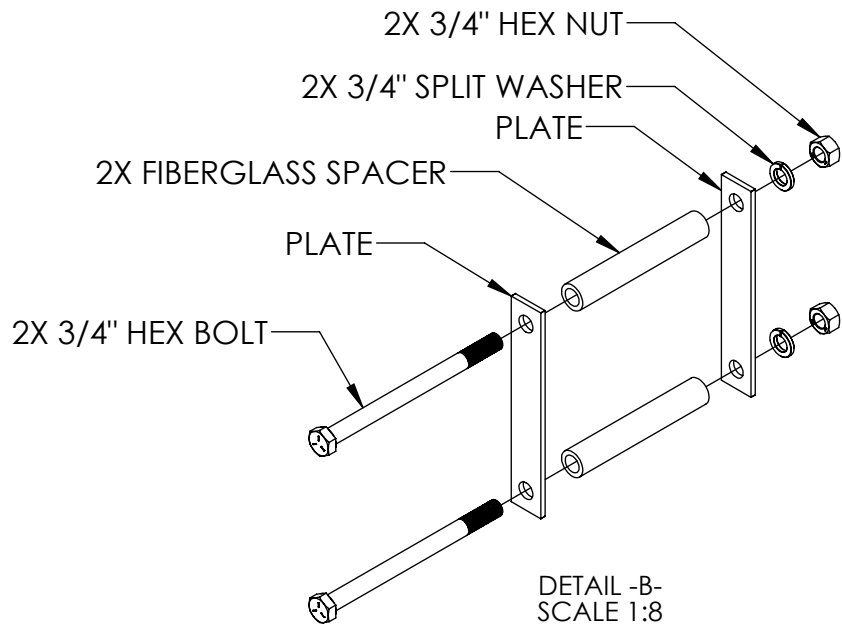
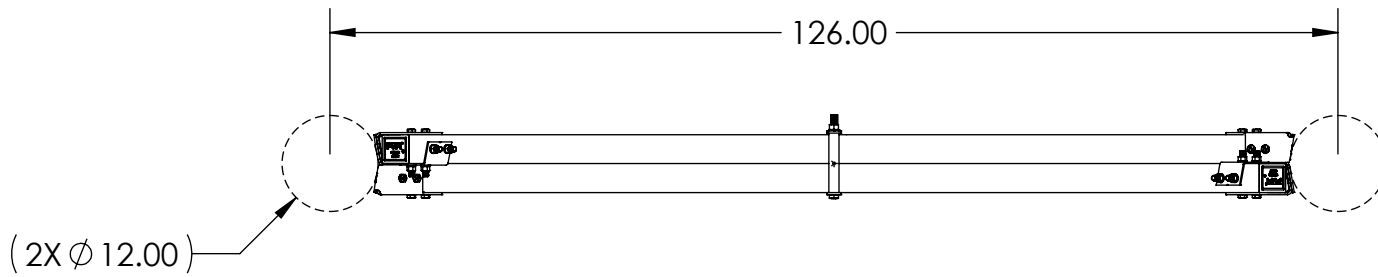
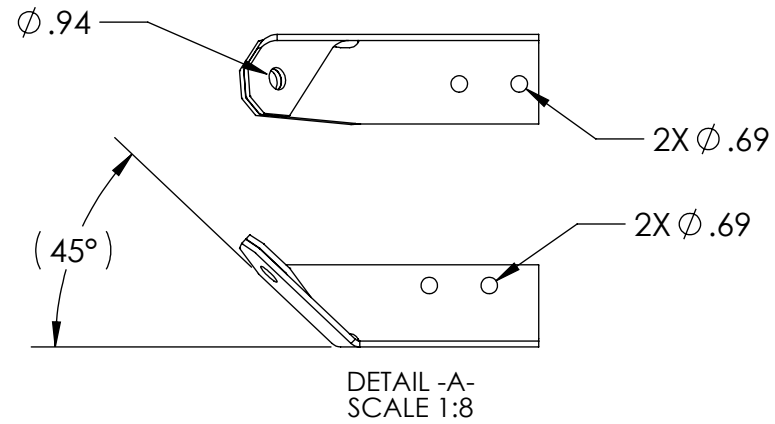


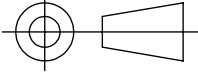
ITEM NO.	PART NUMBER	DESCRIPTION	DESCRIPTION 2	QTY
1	XBR30001260282	X-BRACE ASSEMBLY, SERIES 3000	162.80 in	2
2	BMB-037	HARDWARE KIT, CENTER CLAMP	SD	1

**PUPI**<sup>®</sup>  
www.pupicrossarms.com

REVISIONS				
ECO	REV.	DESCRIPTION	DATE	INITIALS
	0.1	PLACE CENTER CLAMP AND HARDWARE IN HARDWARE KIT	2013-12-27	RAF
	0.2	UPDATE DRAWING FORMAT	2015-12-22	RAF



- NOTES:
- X-BRACE IS DESIGN WITH 12 INCH DIAMETER STRAIGHT POLES
  - 7/8" HARDWARE TO FASTEN X-BRACE TO POLES **NOT SUPPLIED BY GEOTEK**
  - HARDWARE KIT BMB-037 SHIP SEPARATELY
  - BRACKETS GALVANIZED IN ACCORDANCE WITH ASTM A123/A123M OR ASTM A153/A153M
  - HARDWARE GALVANIZED PER ASTM A153/A153M OR ASTM F2329

<b>---UNLESS OTHERWISE SPECIFIED---</b> DIMENSIONS ARE IN INCHES INTERPRET DIM AND TOL PER ASME Y14.5-2009 ANGULAR: MACH ±2° BEND ±2° ONE PLACE DECIMAL ±0.1 TWO PLACE DECIMAL ±0.02	STATE: RELEASED	2016-01-06
	DRAWN: RAF	2013-05-08
	CHECKED: TRB	2016-01-06
	APPROVED: TRB	2016-01-06
<b>PROPRIETARY AND CONFIDENTIAL</b> THE INFORMATION CONTAINED IN THIS DRAWING IS THE SOLE PROPERTY OF GEOTEK. ANY REPRODUCTION IN PART OR AS A WHOLE WITHOUT THE WRITTEN PERMISSION OF GEOTEK IS PROHIBITED.	REPLACES: -	
CUSTOMER SIGNATURE:	THIRD ANGLE PROJECTION  DATE:	



**GEOTEK**  
*A Whole New World of Composites*

1421 SECOND AVE NW  
STEWARTVILLE, MN 55976  
(800) 533-1680  
www.geotekinc.com

DESCRIPTION:  
**X-BRACE SYSTEM, SERIES 3000**  
126 in

SIZE: DWG. NO. **B XBR30201260272** BEAM COLOR: **GRAY** REV: **0.2**

SCALE: 1:24 | WEIGHT: 159 LBS SHEET 1 OF 1