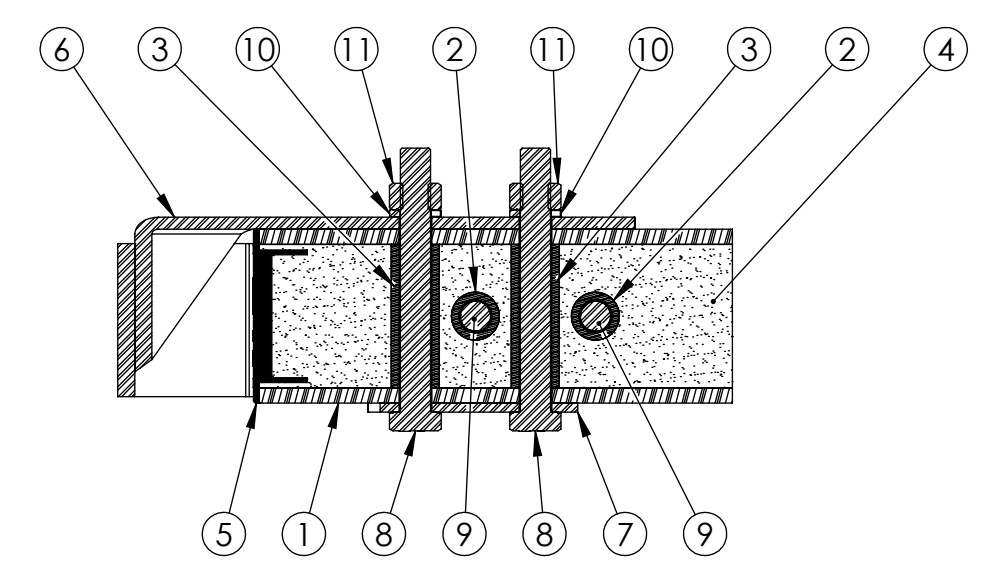
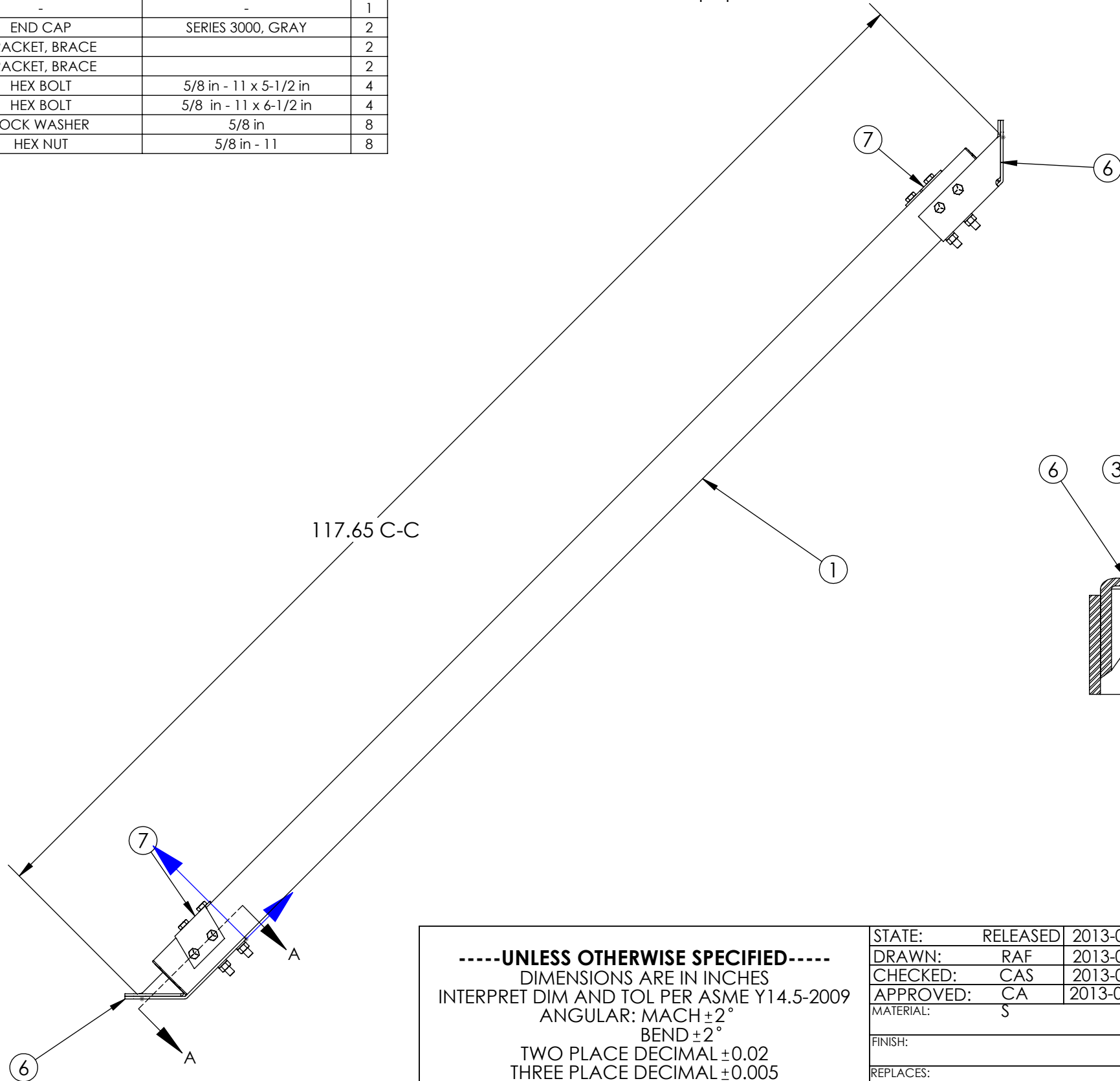


ITEM NO.	PART NUMBER	DESCRIPTION	DESCRIPTION 2	QTY
1	FB-110-9-3000-2	BEAM, PULTRUDED STOCK	SERIES 3000 x 110-7/8 in, GRAY	1
2	TG0688-0039	BUSHING	11/16 in x 3-15/16 in	4
3	TG0688-0040	BUSHING	11/16 in x 3 in	4
4	FOAM	-	-	1
5	EC30-0002-2	END CAP	SERIES 3000, GRAY	2
6	BK-0004	BRACKET, BRACE		2
7	BK-0005	BRACKET, BRACE		2
8	HB0625-0018	HEX BOLT	5/8 in - 11 x 5-1/2 in	4
9	HB0625-0002	HEX BOLT	5/8 in - 11 x 6-1/2 in	4
10	LW0625-0004	LOCK WASHER	5/8 in	8
11	HN0625-0004	HEX NUT	5/8 in - 11	8

PUPI[®]
www.pupicrossarms.com

REVISIONS			
REV.	DESCRIPTION	DATE	INITIALS



-----UNLESS OTHERWISE SPECIFIED-----
 DIMENSIONS ARE IN INCHES
 INTERPRET DIM AND TOL PER ASME Y14.5-2009
 ANGULAR: MACH ±2°
 BEND ±2°
 TWO PLACE DECIMAL ±0.02
 THREE PLACE DECIMAL ±0.005

PROPRIETARY AND CONFIDENTIAL
 THE INFORMATION CONTAINED IN THIS DRAWING IS
 THE SOLE PROPERTY OF GEOTEK. ANY REPRODUCTION
 IN PART OR AS A WHOLE WITHOUT THE WRITTEN
 PERMISSION OF GEOTEK IS PROHIBITED.

STATE:	RELEASED	2013-07-20
DRAWN:	RAF	2013-05-16
CHECKED:	CAS	2013-07-20
APPROVED:	CA	2013-07-20
MATERIAL:	S	
FINISH:		
REPLACES:	-	
THIRD ANGLE PROJECTION		

 A Whole New World of Composites	1421 SECOND AVE NW STEWARTVILLE, MN 55976 (800) 533-1680 www.geotekinc.com	
	DESCRIPTION: KNEE BRACE ASSEMBLY SERIES 3000, 118 in	
SIZE:	DWG. NO. B K0118TM03562	REV: 0.0
SCALE: 1:12	WEIGHT: 60.86 LBS	SHEET 1 OF 1