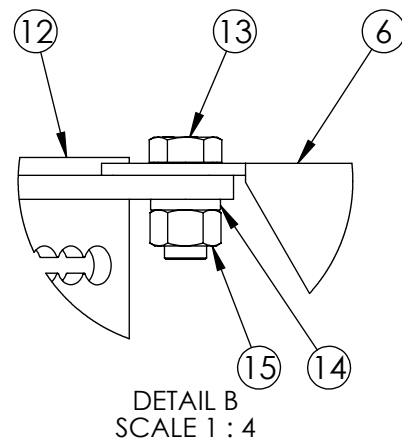
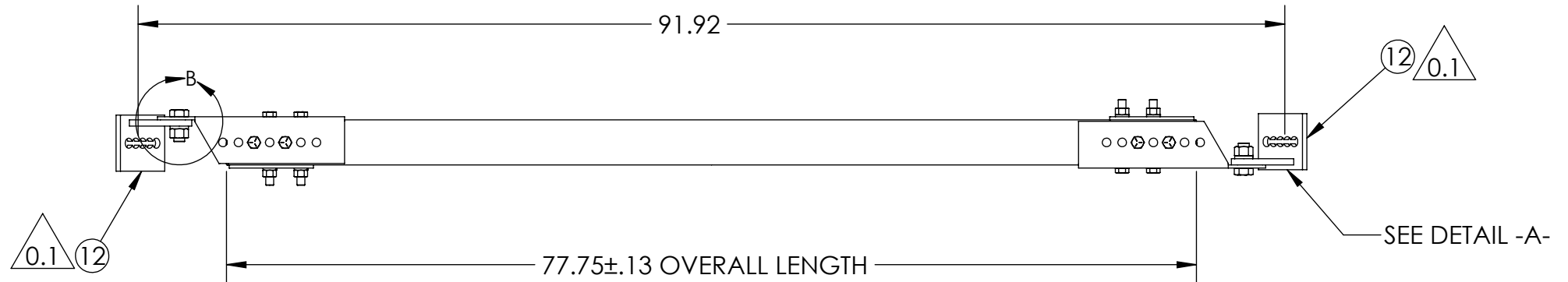
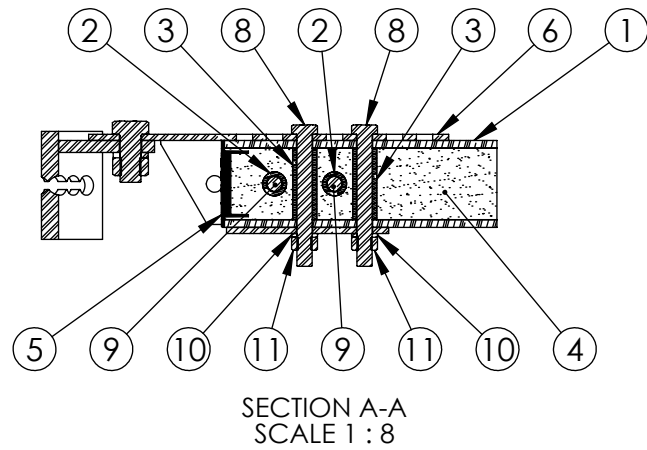
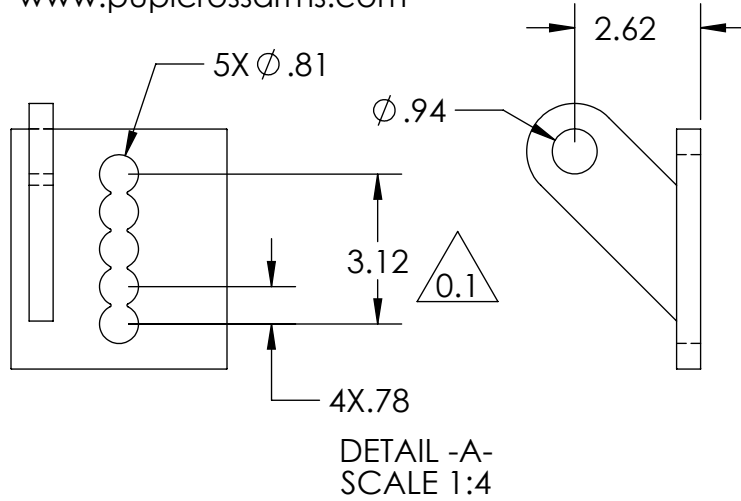


ITEM NO.	PART NUMBER	DESCRIPTION	DESCRIPTION 2	QTY
1	FB-077-5-3000-2	BEAM, PULTRUDED STOCK	SERIES 3000 x 77-1/2 in, GRAY	1
2	TG0688-0039	BUSHING	1 1/16 in x 3-15/16 in	4
3	TG0688-0040	BUSHING	1 1/16 in x 3 in	4
4	FOAM	-	-	1
5	EC30-0002-2	END CAP	SERIES 3000, GRAY	2
6	BK-0038	BRACKET, BRACE		2
7	PL-0033	PLATE, X-BRACE		2
8	HB0625-0018	HEX BOLT	5/8 in - 11 x 5-1/2 in	4
9	HB0625-0002	HEX BOLT	5/8 in - 11 x 6-1/2 in	4
10	LW0625-0004	LOCK WASHER	5/8 in	8
11	HN0625-0004	HEX NUT	5/8 in - 11	8
12	BK-0067	BRACKET ASSEMBLY, BRACE	HD, RIGHT	2
13	HB0875-0013	HEX BOLT	7/8 in - 9 x 2 in	2
14	LW0875-0010	LOCK WASHER	7/8 in	2
15	HN0875-0006	HEX NUT	7/8 in - 9	2

PUPI[®]
www.pupicrossarms.com

REVISIONS			
REV.	DESCRIPTION	DATE	INITIALS
0.1	REPLACE BK-0041 WITH BK-0067, REFORMAT DRAWING	2014-11-06	RAF



<p>-----UNLESS OTHERWISE SPECIFIED----- DIMENSIONS ARE IN INCHES INTERPRET DIM AND TOL PER ASME Y14.5-2009 ANGULAR: MACH ± 2° BEND ± 2° TWO PLACE DECIMAL ± 0.02 THREE PLACE DECIMAL ± 0.005</p>	<p>STATE: RELEASED 2014-11-07 DRAWN: RAF 2013-05-13 CHECKED: ENG 2014-11-07 APPROVED: ENG 2014-11-07</p>	<p>GEOTEK A Whole New World of Composites 1421 SECOND AVE NW STEWARTVILLE, MN 55976 (800) 533-1680 www.geotekinc.com</p>
	<p>FINISH: REPLACES:</p>	
<p>PROPRIETARY AND CONFIDENTIAL THE INFORMATION CONTAINED IN THIS DRAWING IS THE SOLE PROPERTY OF GEOTEK. ANY REPRODUCTION IN PART OR AS A WHOLE WITHOUT THE WRITTEN PERMISSION OF GEOTEK IS PROHIBITED.</p>	<p>THIRD ANGLE PROJECTION</p>	<p>SIZE: DWG. NO. B K0092TMSPX62 SCALE: 1:12 WEIGHT: 67.57 LBS</p>
		<p>REV: 0.1 SHEET 1 OF 1</p>