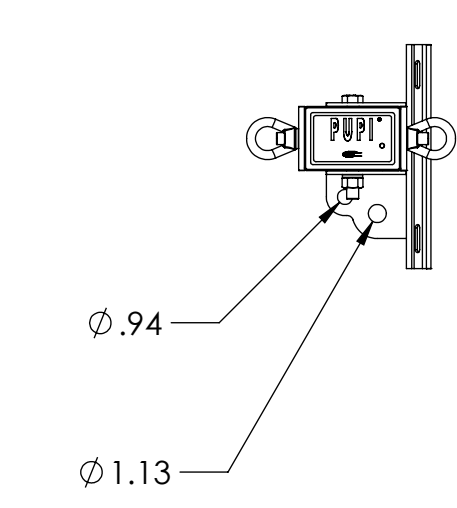
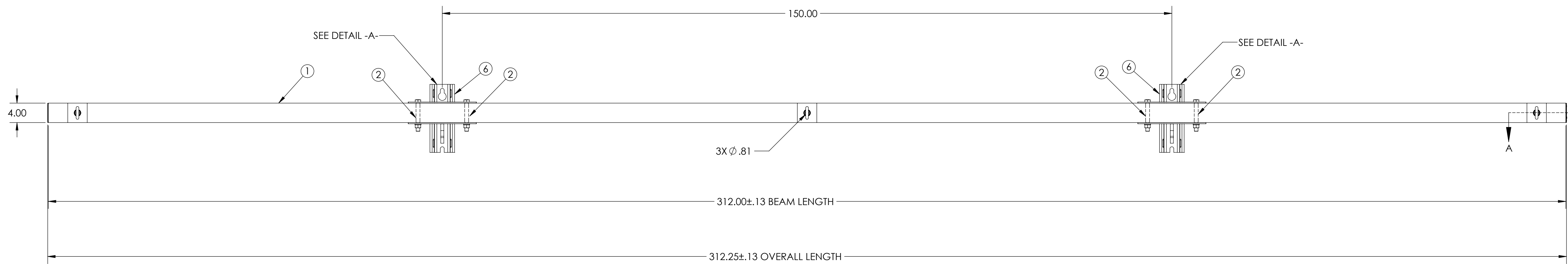
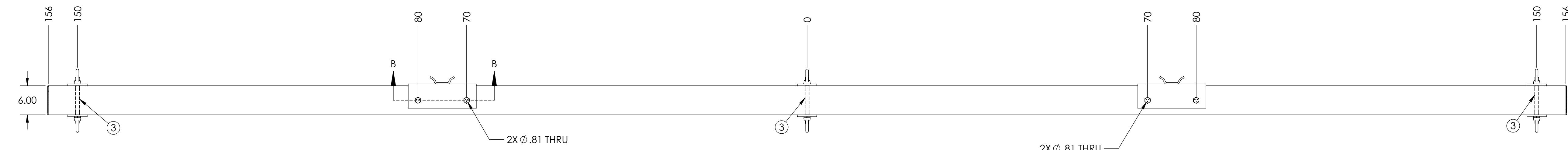
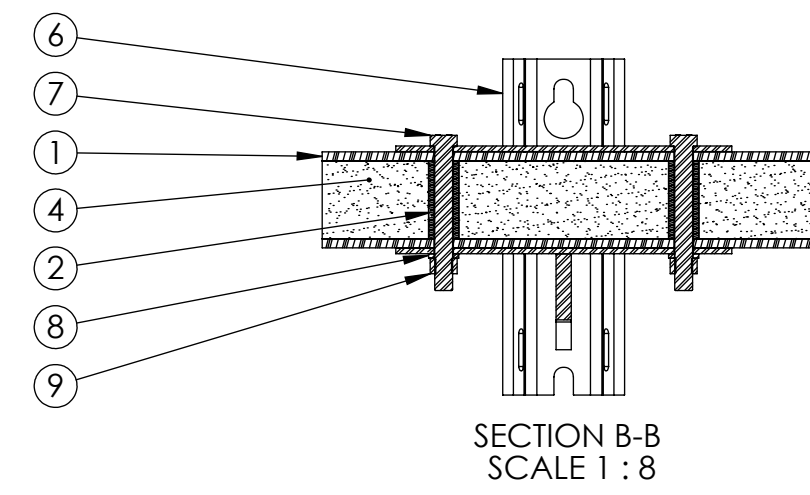
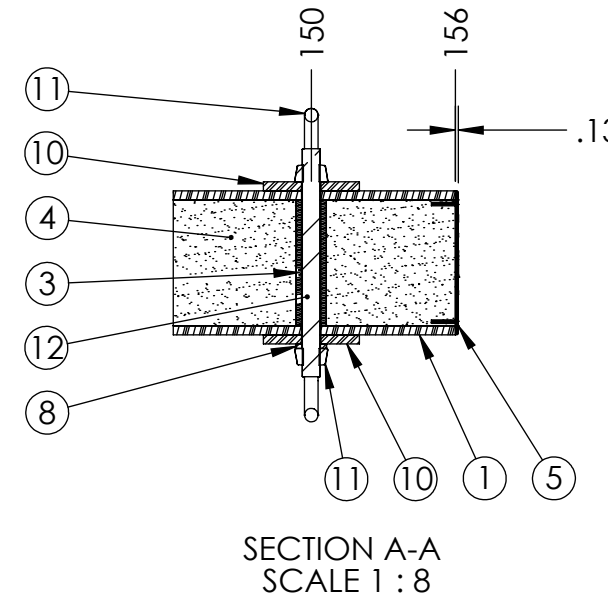
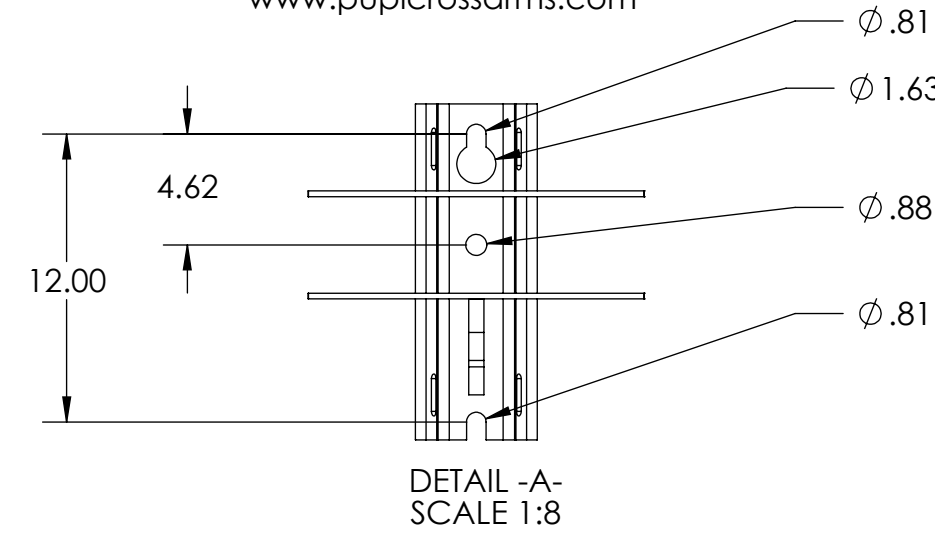


ITEM NO.	PART NUMBER	DESCRIPTION	DESCRIPTION 2	QTY
1	FB-312-4000-2	BEAM, PULTRUDED STOCK	SERIES 4000 x 312 in. GRAY	1
2	TG0813-0054	BUSHING	13/16 in x 3-1/4 in	4
3	TG0813-0053	BUSHING	13/16 in x 5-1/4 in	3
4	FOAM	-	-	1
5	EC40-0006-2	END CAP	SERIES 4000, GRAY	2
6	DM-0006	MOUNT ASSEMBLY, DEADEND	4KLH	2
7	HB0750-0003	HEX BOLT	3/4 in - 10 x 6 in	4
8	LW0750-0001	LOCK WASHER	3/4 in	7
9	HN0750-0001	HEX NUT	3/4 in - 10	4
10	SW0813-0005	SQUARE WASHER	13/16 in. 4 in x 3/8 in	6
11	EN0750-0002	EYE NUT	3/4 in - 10	6
12	TR0750-0003	THREADED ROD	3/4 in - 10 x 9-1/2 in	3

REVISIONS			
REV.	DESCRIPTION	DATE	INITIALS
1.0	CHANGE BEAM DESIGN TO COMPLY WITH PUPI 56H STANDARD	2013-04-25	RAF

PUPI
www.pupicrossarms.com



NOTES:
1. CENTER OF MOUNT HOLE(S) TO HOLES TOLERANCE ±0.06
2. ULTIMATE LONGITUDINAL LOAD = 8,400 LBS PER WIRE, 3 WIRES

<p>-----UNLESS OTHERWISE SPECIFIED----- DIMENSIONS ARE IN INCHES INTERPRET DIM AND TOL PER ASME Y14.5-2009 ANGULAR: MACH ±2° BEND ±2° TWO PLACE DECIMAL ±0.02 THREE PLACE DECIMAL ±0.005</p>		<p>STATE: RELEASED 2013-04-25 DRAWN: RAF 2013-03-20 CHECKED: CAS 2013-04-25 APPROVED: CAS 2013-04-25</p>	<p>1421 SECOND AVE NW STEWARTVILLE, MN 55976 (800)-533-1680 www.geotekinc.com</p>
<p>PROPRIETARY AND CONFIDENTIAL THE INFORMATION CONTAINED IN THIS DRAWING IS THE SOLE PROPERTY OF GEOTEK. ANY REPRODUCTION IN PART OR AS A WHOLE WITHOUT THE WRITTEN PERMISSION OF GEOTEK IS PROHIBITED.</p>		<p>THIRD ANGLE PROJECTION</p>	<p>DESCRIPTION: DEADEND ASSEMBLY, SERIES 4000 312 in. RUS 56</p>
<p>SCALE: 1:12 WEIGHT: 211.18 LBS</p>		<p>SIZE DWG. NO. D DD4000312E356H2</p>	<p>REV 1.0</p>