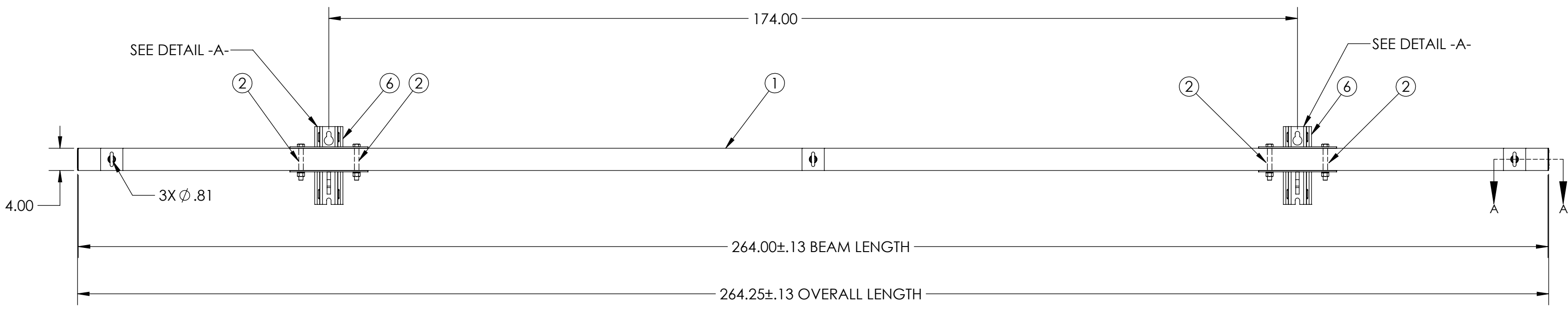
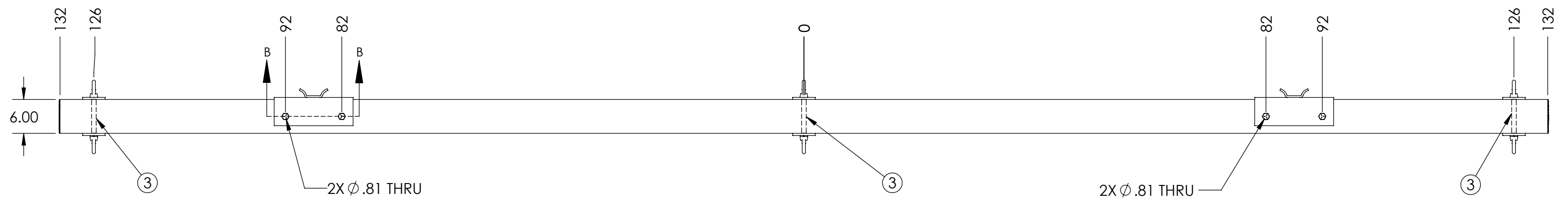
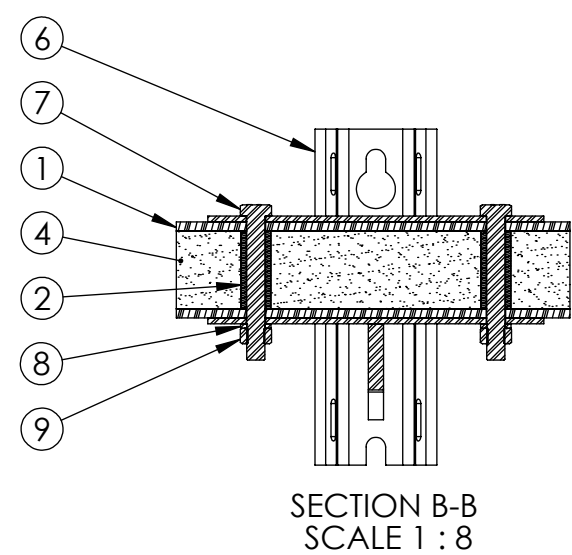
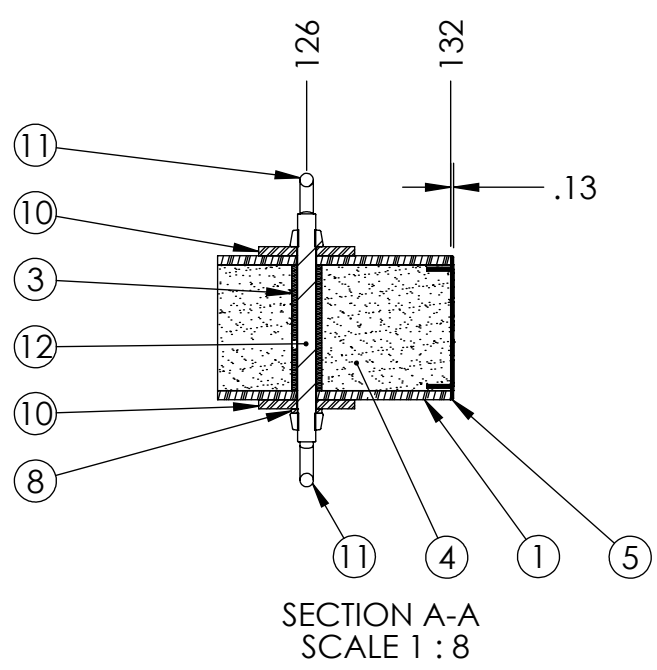
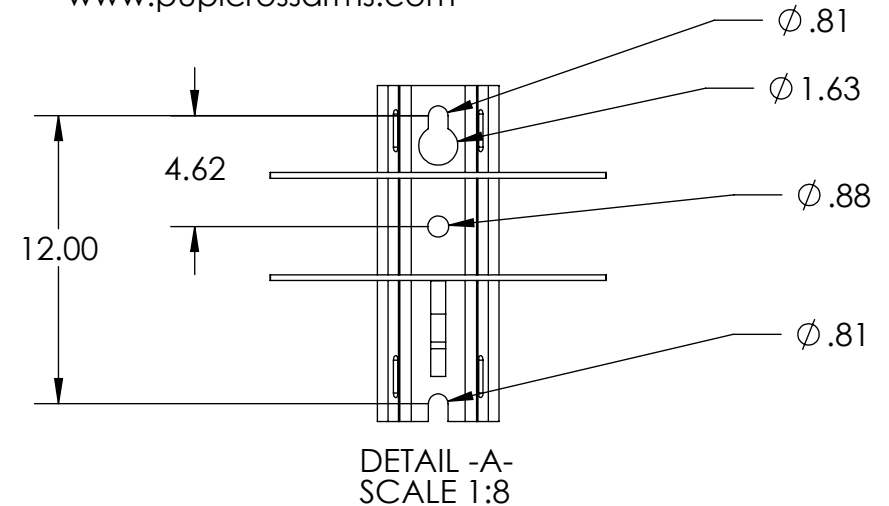


ITEM NO.	PART NUMBER	DESCRIPTION	DESCRIPTION 2	QTY
1	FB-264-4000-2	BEAM, PULTRUDED STOCK	SERIES 4000 x 264 in, GRAY	1
2	TG0813-0054	BUSHING	13/16 in x 3-1/4 in	4
3	TG0813-0053	BUSHING	13/16 in x 5-1/4 in	3
4	FOAM	-	-	1
5	EC40-0006-2	END CAP	SERIES 4000, GRAY	2
6	DM-0006	MOUNT ASSEMBLY, DEADEND	4KLH	2
7	HB0750-0003	HEX BOLT	3/4 in - 10 x 6 in	4
8	LW0750-0001	LOCK WASHER	3/4 in	7
9	HN0750-0001	HEX NUT	3/4 in - 10	4
10	SW0813-0005	SQUARE WASHER	13/16 in, 4 in x 3/8 in	6
11	EN0750-0002	EYE NUT	3/4 in - 10	6
12	TR0750-0003	THREADED ROD	3/4 in - 10 x 9-1/2 in	3

PUPI[®]
www.pupicrossarms.com

REVISIONS			
REV.	DESCRIPTION	DATE	INITIALS
0.1	REMOVE NOTE 2	2013-09-25	BRH



NOTES:
1. CENTER OF MOUNT HOLE(S) TO HOLES TOLERANCE ±0.06

-----UNLESS OTHERWISE SPECIFIED-----
DIMENSIONS ARE IN INCHES
INTERPRET DIM AND TOL PER ASME Y14.5-2009
ANGULAR: MACH ±2°
BEND ±2°
TWO PLACE DECIMAL ±0.02
THREE PLACE DECIMAL ±0.005

PROPRIETARY AND CONFIDENTIAL
THE INFORMATION CONTAINED IN THIS DRAWING IS THE SOLE PROPERTY OF GEOTEK. ANY REPRODUCTION IN PART OR AS A WHOLE WITHOUT THE WRITTEN PERMISSION OF GEOTEK IS PROHIBITED.

STATE:	RELEASED	2013-11-11
DRAWN:	RAF	2013-04-23
CHECKED:	BRH	2013-09-25
APPROVED:	BRH	2013-11-11
MATERIAL:		
FINISH:		
REPLACES:		

THIRD ANGLE PROJECTION

	1421 SECOND AVE NW STEWARTVILLE, MN 55976 (800)-533-1680 www.geotekinc.com	
	DESCRIPTION: DEADEND ASSEMBLY, SERIES 4000 264 in, RUS 42	
SIZE	DWG. NO.	REV
C	DD4000264E342H2	0.1
SCALE: 1:16	WEIGHT: 188.05 LBS	SHEET 1 OF 1