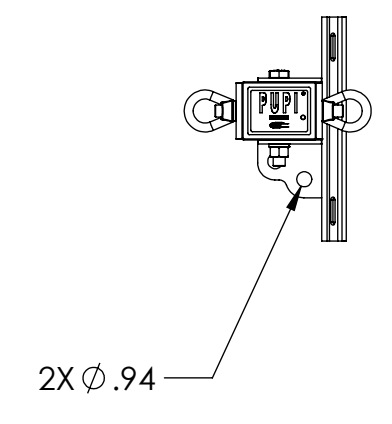
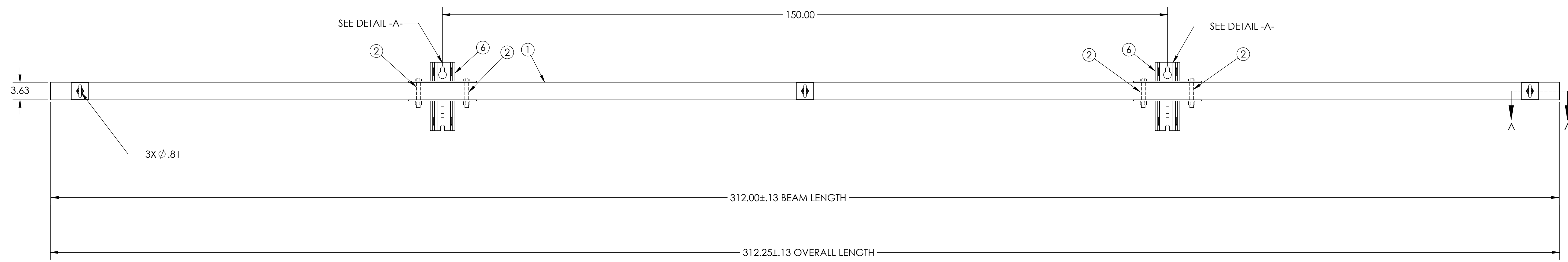
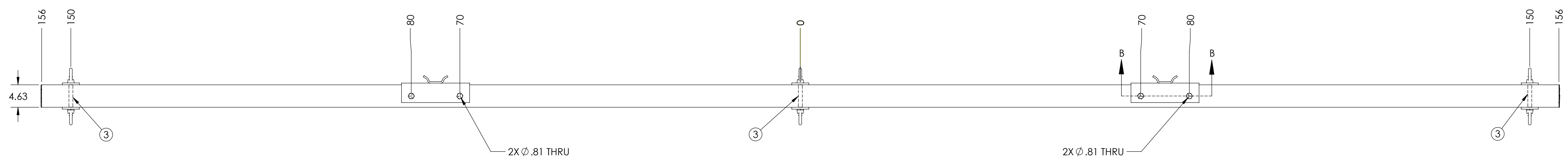
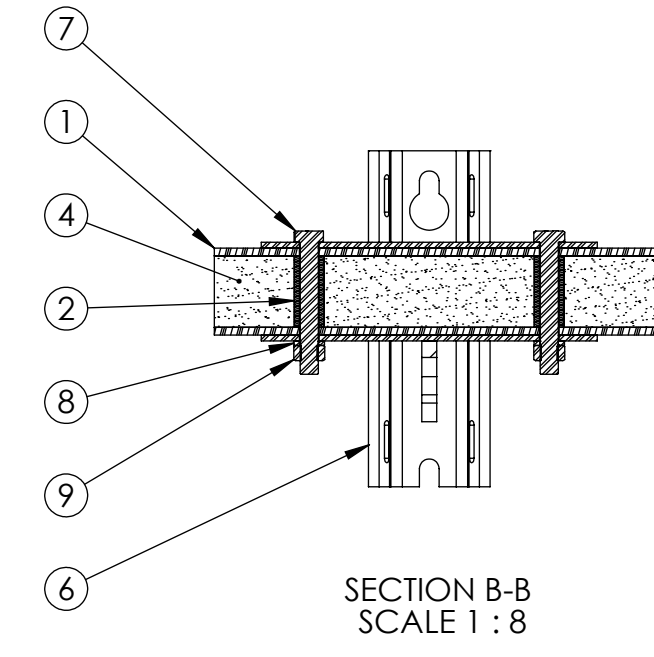
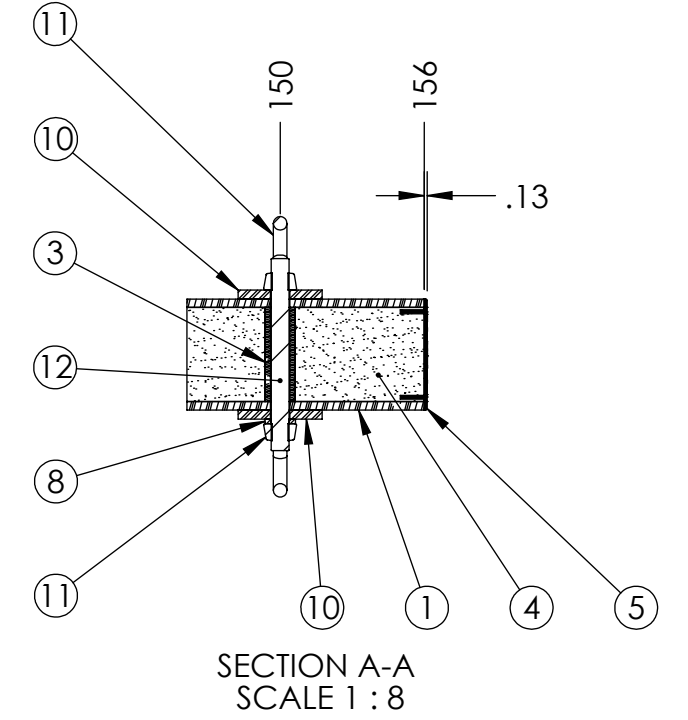
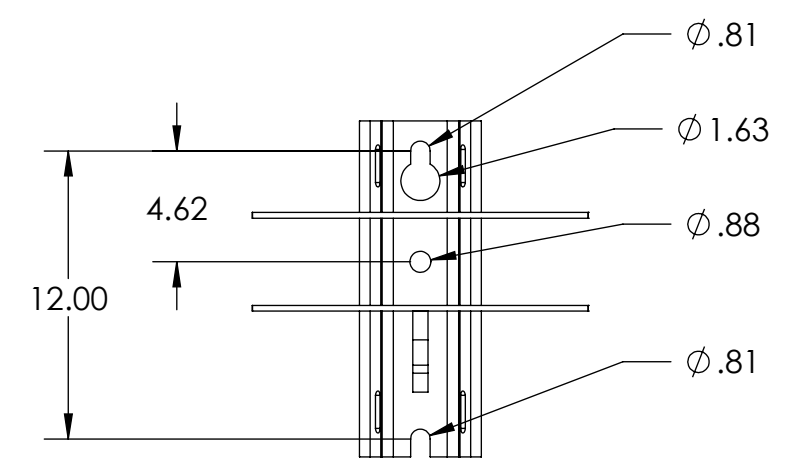


ITEM NO.	PART NUMBER	DESCRIPTION	DESCRIPTION 2	QTY
1	FB-312-3000-2	BEAM, PULTRUDED STOCK	SERIES 3000 x 312 in. GRAY	1
2	TG0813-0042	BUSHING	13/16 in x 3 in	4
3	TG0813-0041	BUSHING	13/16 in x 3-15/16 in	3
4	FOAM	-	-	1
5	EC30-0002-2	END CAP	SERIES 3000, GRAY	2
6	DM-0033	MOUNT ASSEMBLY, DEADEND	HDLH	2
7	HN0750-0001	HEX BOLT	3/4 in - 10 x 5-1/2 in	4
8	LW0750-0001	LOCK WASHER	3/4 in	7
9	HN0750-0001	HEX NUT	3/4 in - 10	4
10	SW0813-0003	SQUARE WASHER	13/16 in, 3-1/2 in x 3/8 in	6
11	EN0750-0002	EYE NUT	3/4 in - 10	6
12	TR0750-0002	THREADED ROD	3/4 in - 10 x 8 in	3



REVISIONS			
REV.	DESCRIPTION	DATE	INITIALS



NOTES:
 1. CENTER OF MOUNT HOLE(S) TO HOLES TOLERANCE ±0.04
 2. ULTIMATE LONGITUDINAL LOAD = 5,300 LBS PER WIRE, 3 WIRES

<p>-----UNLESS OTHERWISE SPECIFIED----- DIMENSIONS ARE IN INCHES INTERPRET DIM AND TOL PER ASME Y14.5-2009 ANGULAR: MACH ±2° BEND ±2° TWO PLACE DECIMAL ±0.02 THREE PLACE DECIMAL ±0.005</p>		STATE: RELEASED 2013-04-25 DRAWN: RAF 2013-04-24 CHECKED: CAS 2013-04-25 APPROVED: CAS 2013-04-25	<p>1421 SECOND AVE NW STEWARTVILLE, MN 55976 (800)-533-1680 www.geotekinc.com</p>
<p>PROPRIETARY AND CONFIDENTIAL THE INFORMATION CONTAINED IN THIS DRAWING IS THE SOLE PROPERTY OF GEOTEK. ANY REPRODUCTION IN PART OR AS A WHOLE WITHOUT THE WRITTEN PERMISSION OF GEOTEK IS PROHIBITED.</p>		THIRD ANGLE PROJECTION 	DESCRIPTION: DEADEND ASSEMBLY, SERIES 3000 312 in, RUS 56 SIZE DWG. NO. D DD3000312E356H2 SCALE: 1:12 WEIGHT: 162.61 LBS
			REV 0.0 SHEET 1 OF 1