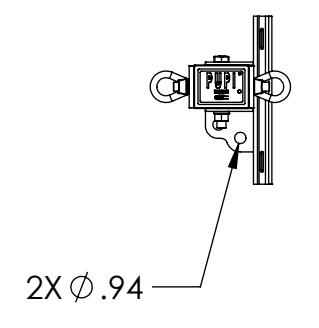
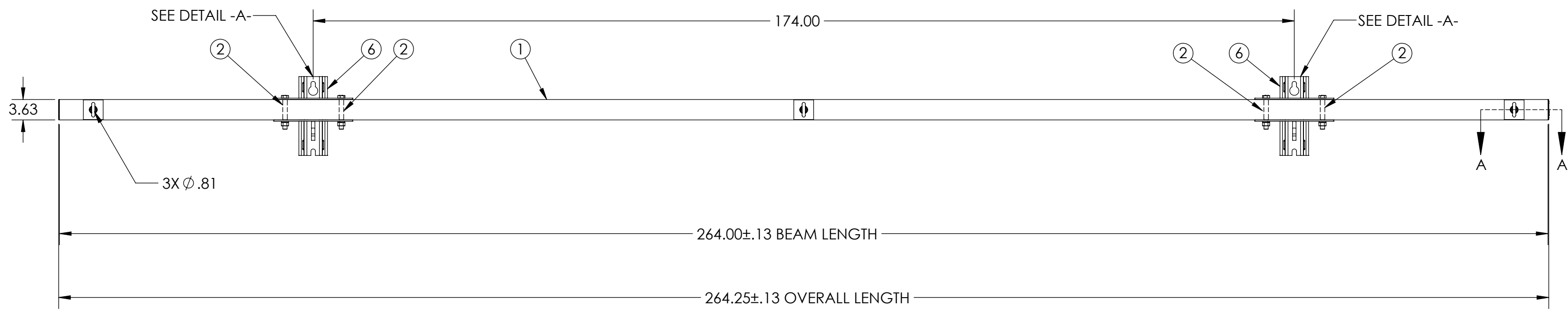
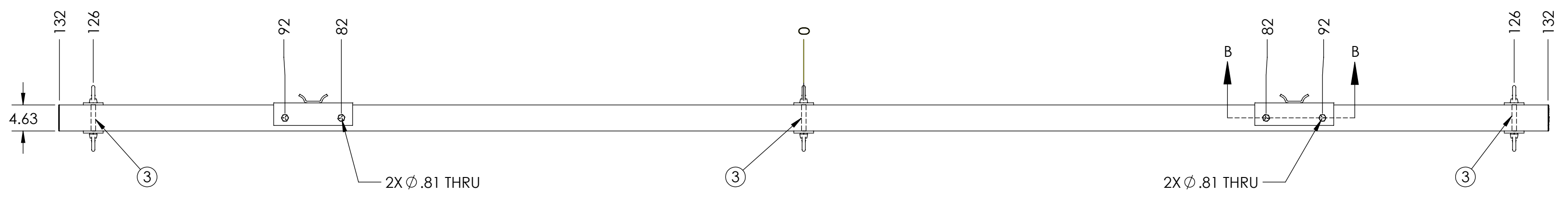
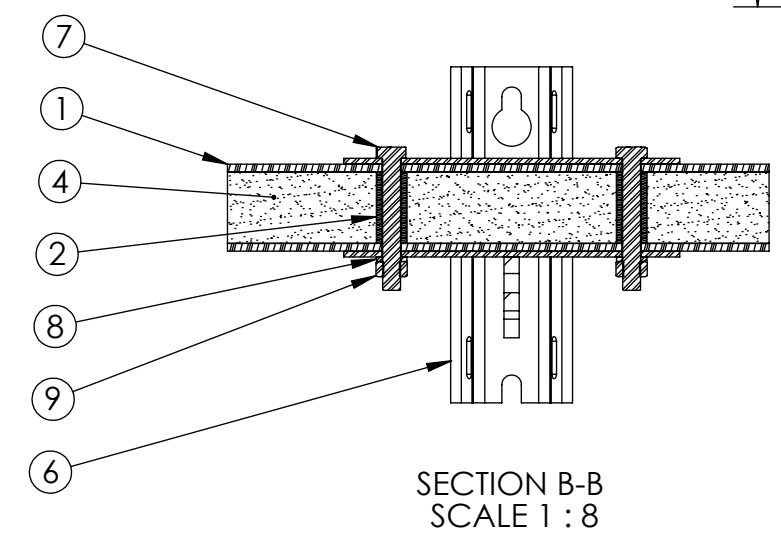
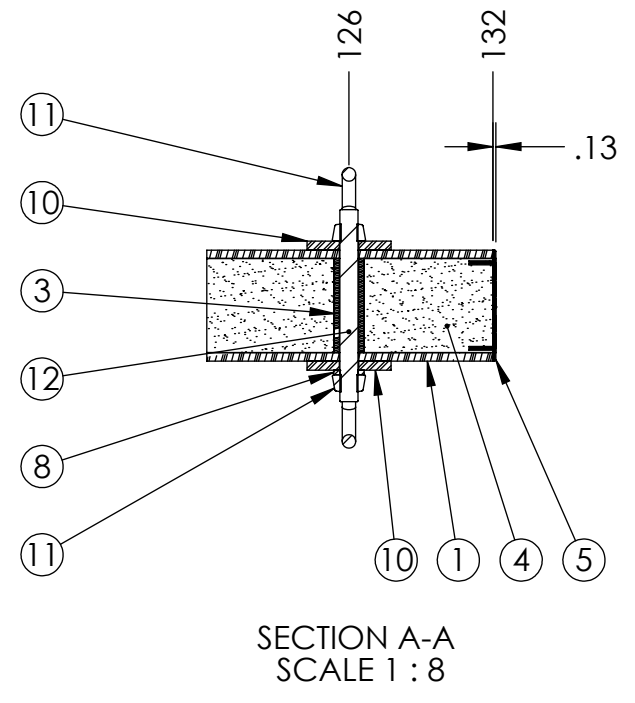
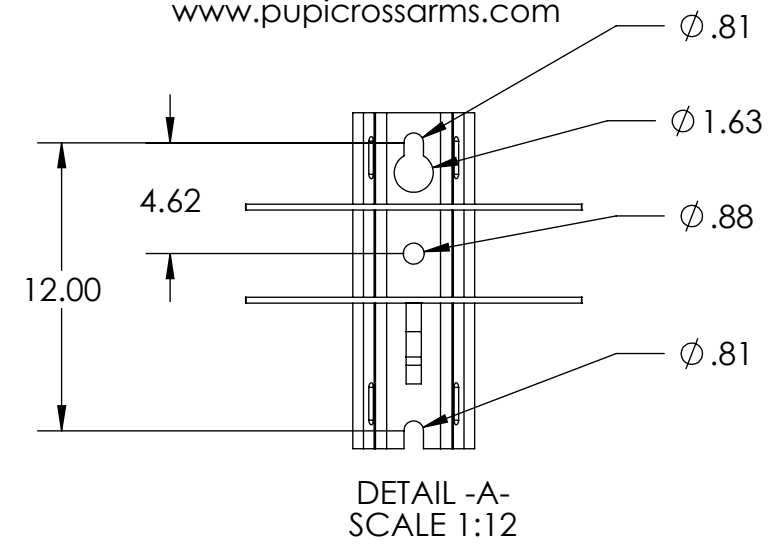


ITEM NO.	PART NUMBER	DESCRIPTION	DESCRIPTION 2	QTY
1	FB-264-3000-2	BEAM, PULTRUDED STOCK	SERIES 3000 x 264 in, GRAY	1
2	TG0813-0042	BUSHING	13/16 in x 3 in	4
3	TG0813-0041	BUSHING	13/16 in x 3-15/16 in	3
4	FOAM	-	-	1
5	EC30-0002-2	END CAP	SERIES 3000, GRAY	2
6	DM-0033	MOUNT ASSEMBLY, DEADEND	HDLH	2
7	HB0750-0001	HEX BOLT	3/4 in - 10 x 5-1/2 in	4
8	LW0750-0001	LOCK WASHER	3/4 in	7
9	HN0750-0001	HEX NUT	3/4 in - 10	4
10	SW0813-0003	SQUARE WASHER	13/16 in, 3-1/2 in x 3/8 in	6
11	EN0750-0002	EYE NUT	3/4 in - 10	6
12	TR0750-0002	THREADED ROD	3/4 in - 10 x 8 in	3



REVISIONS			
REV.	DESCRIPTION	DATE	INITIALS



NOTES:
 1. CENTER OF MOUNT HOLE(S) TO HOLES TOLERANCE ±0.06
 2. ULTIMATE LONGITUDINAL LOAD = 11,000 LBS PER WIRE, 3 WIRES

-----UNLESS OTHERWISE SPECIFIED-----
 DIMENSIONS ARE IN INCHES
 INTERPRET DIM AND TOL PER ASME Y14.5-2009
 ANGULAR: MACH ±2°
 BEND ±2°
 TWO PLACE DECIMAL ±0.02
 THREE PLACE DECIMAL ±0.005

PROPRIETARY AND CONFIDENTIAL
 THE INFORMATION CONTAINED IN THIS DRAWING IS THE SOLE PROPERTY OF GEOTEK. ANY REPRODUCTION IN PART OR AS A WHOLE WITHOUT THE WRITTEN PERMISSION OF GEOTEK IS PROHIBITED.

STATE:	RELEASED	2013-04-25
DRAWN:	RAF	2013-04-24
CHECKED:	CAS	2013-04-25
APPROVED:	CAS	2013-04-25
MATERIAL:		
FINISH:		
REPLACES:		

THIRD ANGLE PROJECTION

1421 SECOND AVE NW
 STEWARTVILLE, MN 55976
 (800)-533-1680
 www.geotekinc.com

DESCRIPTION:
 DEADEND ASSEMBLY, SERIES 3000
 264 in, RUS 42

SIZE	DWG. NO.	REV
C	DD3000264E342H2	0.0

SCALE: 1:16 WEIGHT: 145.53 LBS SHEET 1 OF 1