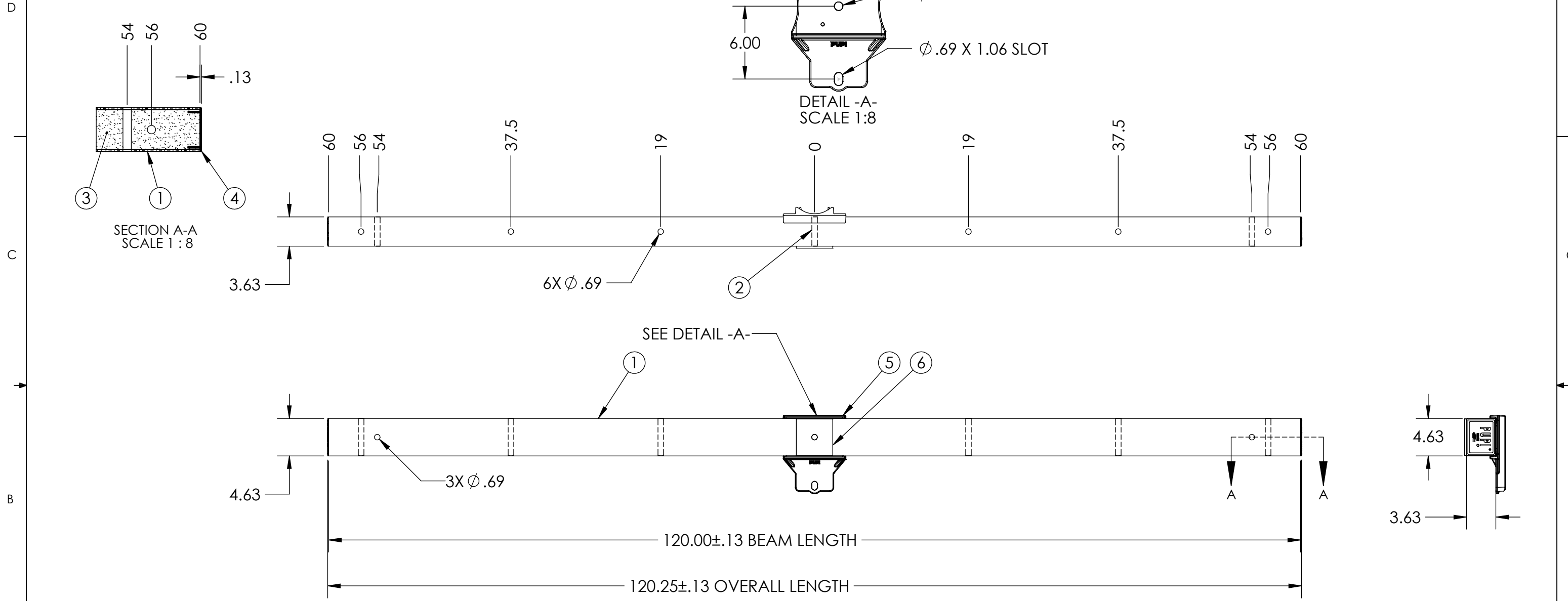


ITEM NO.	PART NUMBER	DESCRIPTION	DESCRIPTION 2	QTY
1	FB-120-22-2	BEAM, PULTRUDED STOCK	SERIES 22 x 120 in, GRAY	1
2	TG0688-0028	BUSHING	11/16 in x 3-1/4 in	1
3	FOAM	-	-	1
4	EC22-0004-2	END CAP	SERIES 22, GRAY	2
5	TM-0052	MOUNT, TANGENT	-	1
6	SW0688-0017	SQUARE WASHER	11/16 in, 4 -1/2 in x 1/4 in	1

PUPI[®]
www.pupicrossarms.com

REVISIONS			
REV.	DESCRIPTION	DATE	INITIALS
0.1	UPDATE BOM	2014-07-23	RAF



NOTES:
1. CENTER OF MOUNT HOLE(S) TO HOLES TOLERANCE ±0.06
2. MOUNT AND WASHER TO BE SHIPPED SEPARATELY

<p>-----UNLESS OTHERWISE SPECIFIED----- DIMENSIONS ARE IN INCHES INTERPRET DIM AND TOL PER ASME Y14.5-2009 ANGULAR: MACH ±2° BEND ±2° TWO PLACE DECIMAL ±0.02 THREE PLACE DECIMAL ±0.005</p>	STATE: RELEASED 2014-07-25	<p>GEOTEK A Whole New World of Composites 1421 SECOND AVE NW STEWARTVILLE, MN 55976 (800) 533-1680 www.geotekinc.com</p>
	<p>DRAWN: RAF 2014-07-23 CHECKED: ENG 2014-07-25 APPROVED: ENG 2014-07-25</p>	
<p>PROPRIETARY AND CONFIDENTIAL THE INFORMATION CONTAINED IN THIS DRAWING IS THE SOLE PROPERTY OF GEOTEK. ANY REPRODUCTION IN PART OR AS A WHOLE WITHOUT THE WRITTEN PERMISSION OF GEOTEK IS PROHIBITED.</p>	<p>MATERIAL: FINISH: REPLACES:</p>	<p>DESCRIPTION: TANGENT ASSEMBLY, SERIES 2200 120 in, RUS 05</p>
	<p>THIRD ANGLE PROJECTION</p>	<p>SIZE: DWG. NO. B T2220212005X2 REV: 0.0</p>
		<p>SCALE: 1:12 WEIGHT: 28.58 LBS SHEET 1 OF 1</p>