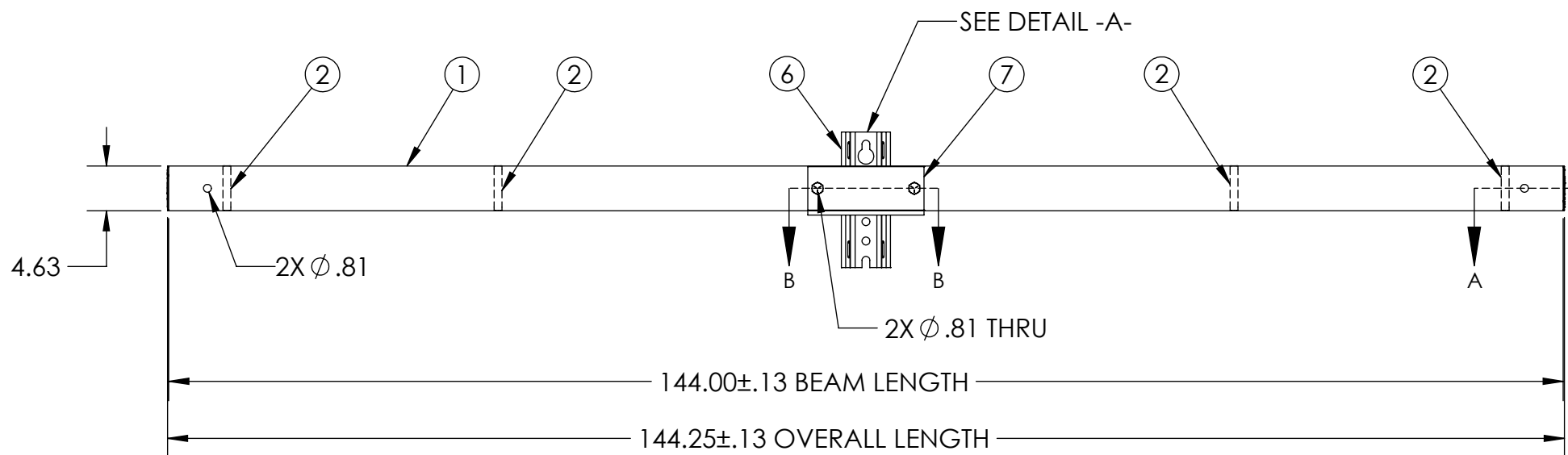
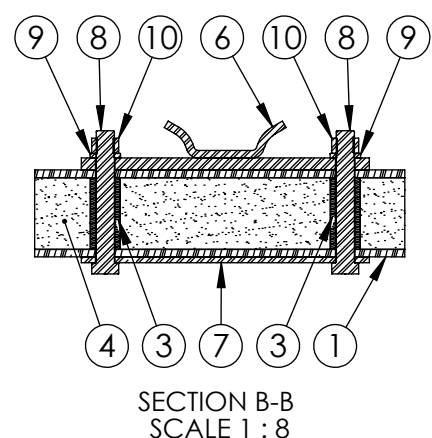
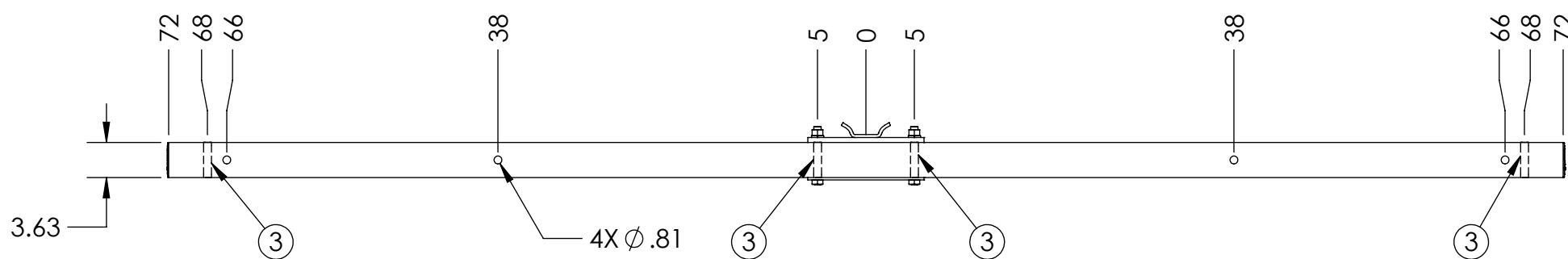
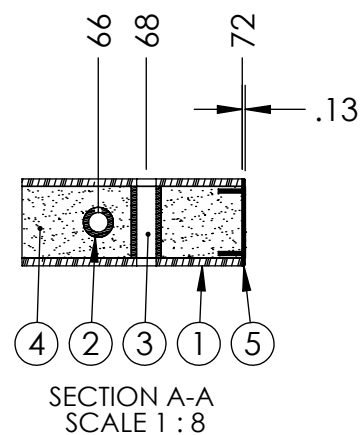
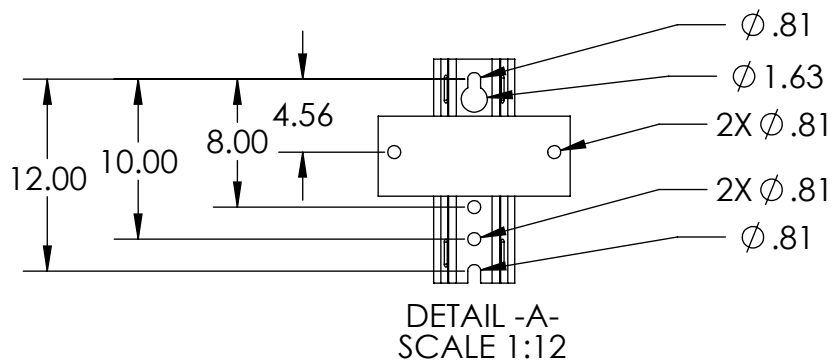


ITEM NO.	PART NUMBER	DESCRIPTION	DESCRIPTION 2	QTY
1	FB-144-3000-2	BEAM, PULTRUDED STOCK	SERIES 3000 x 144 in, GRAY	1
2	TG0813-0041	BUSHING	13/16 in x 3-15/16 in	4
3	TG0813-0042	BUSHING	13/16 in x 3 in	4
4	FOAM	-	-	1
5	EC30-0002-2	END CAP	SERIES 3000, GRAY	2
6	TM-0047	MOUNT ASSEMBLY, TANGENT	HDLH	1
7	PL-0001	PLATE, FRONT		1
8	HB0750-0001	HEX BOLT	3/4 in - 10 x 5-1/2 in	2
9	LW0750-0001	LOCK WASHER	3/4 in	2
10	HN0750-0001	HEX NUT	3/4 in - 10	2

**PUPI**<sup>®</sup>  
www.pupicrossarms.com

REVISIONS			
REV.	DESCRIPTION	DATE	INITIALS
1.0	ADDED REPLACES NOTE IN TITLE BLOCK	2011-10-26	CAS
2.0	ADDED PREVIOUS ITEM NOTE IN TITLE BLOCK	2011-11-29	EFH
2.1	REDRAWN IN SOLIDWORKS	2013-02-11	RAF



NOTES:  
1. CENTER OF MOUNT HOLE(S) TO HOLES TOLERANCE ±0.06

<p>-----UNLESS OTHERWISE SPECIFIED----- DIMENSIONS ARE IN INCHES INTERPRET DIM AND TOL PER ASME Y14.5-2009 ANGULAR: MACH ±2° BEND ±2° TWO PLACE DECIMAL ±0.02 THREE PLACE DECIMAL ±0.005</p> <p><b>PROPRIETARY AND CONFIDENTIAL</b> THE INFORMATION CONTAINED IN THIS DRAWING IS THE SOLE PROPERTY OF GEOTEK. ANY REPRODUCTION IN PART OR AS A WHOLE WITHOUT THE WRITTEN PERMISSION OF GEOTEK IS PROHIBITED.</p>	STATE: RELEASED 2013-03-07	<p><b>GEOTEK</b> A Whole New World of Composites</p> <p>1421 SECOND AVE NW STEWARTVILLE, MN 55976 (800) 533-1680 www.geotekinc.com</p>
	DRAWN: RAF 2013-02-11	
	CHECKED: BRH 2013-03-07	
	APPROVED: BRH 2013-03-07	
	MATERIAL:	
FINISH:	DESCRIPTION: TANGENT ASSEMBLY, SERIES 3000 144 in, PUPI SPX	
REPLACES: TB3000-144-SPX	SIZE: DWG. NO. <b>B</b> TB3000144SPX2	REV: <b>2.1</b>
THIRD ANGLE PROJECTION	SCALE: 1:16	WEIGHT: 73.50 LBS
	SHEET 1 OF 1	

