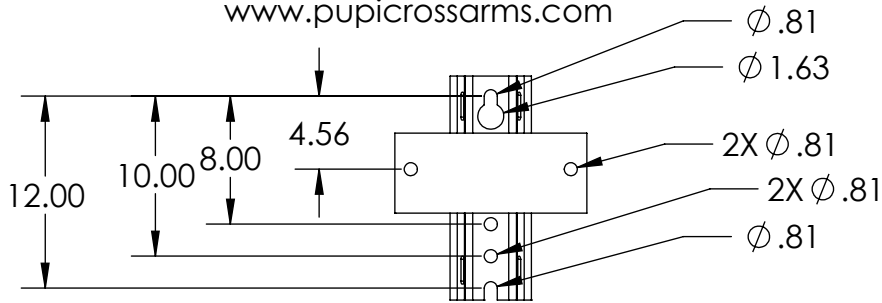


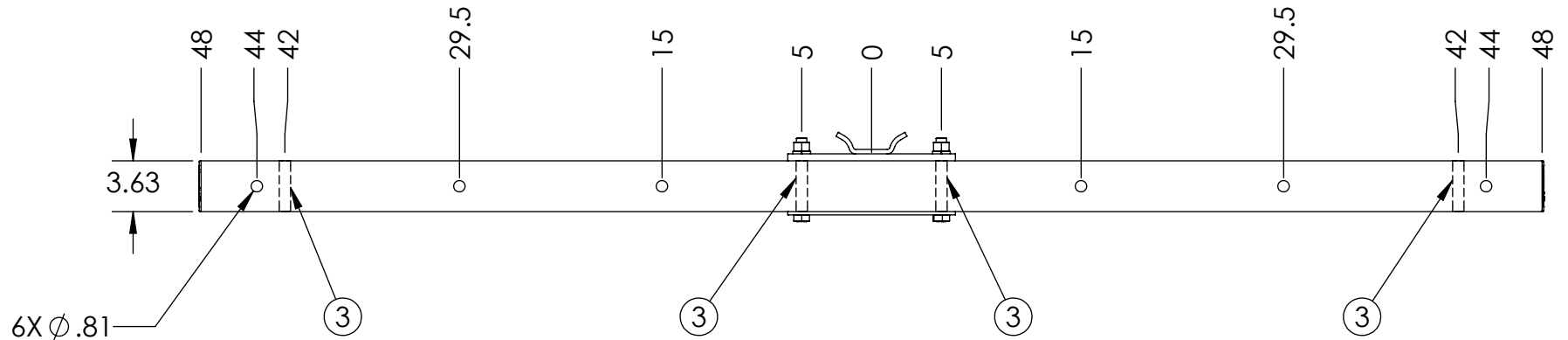
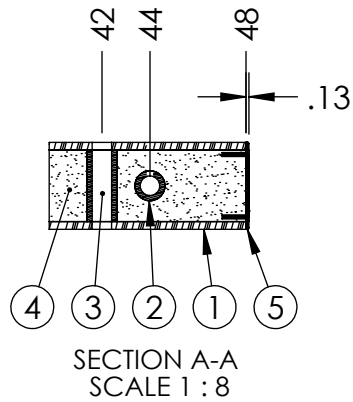
ITEM NO.	PART NUMBER	DESCRIPTION	DESCRIPTION 2	QTY
1	FB-096-3000-2	BEAM, PULTRUDED STOCK	SERIES 3000 x 96 in, GRAY	1
2	TG0813-0041	BUSHING	13/16 in x 3-15/16 in	6
3	TG0813-0042	BUSHING	13/16 in x 3 in	4
4	FOAM	-	-	1
5	EC30-0002-2	END CAP	SERIES 3000, GRAY	2
6	TM-0047	MOUNT ASSEMBLY, TANGENT	HDLH	1
7	PL-0001	PLATE, FRONT		1
8	HB0750-0001	HEX BOLT	3/4 in - 10 x 5-1/2 in	2
9	LW0750-0001	LOCK WASHER	3/4 in	2
10	HN0750-0001	HEX NUT	3/4 in - 10	2

PUPI[®]
www.pupicrossarms.com

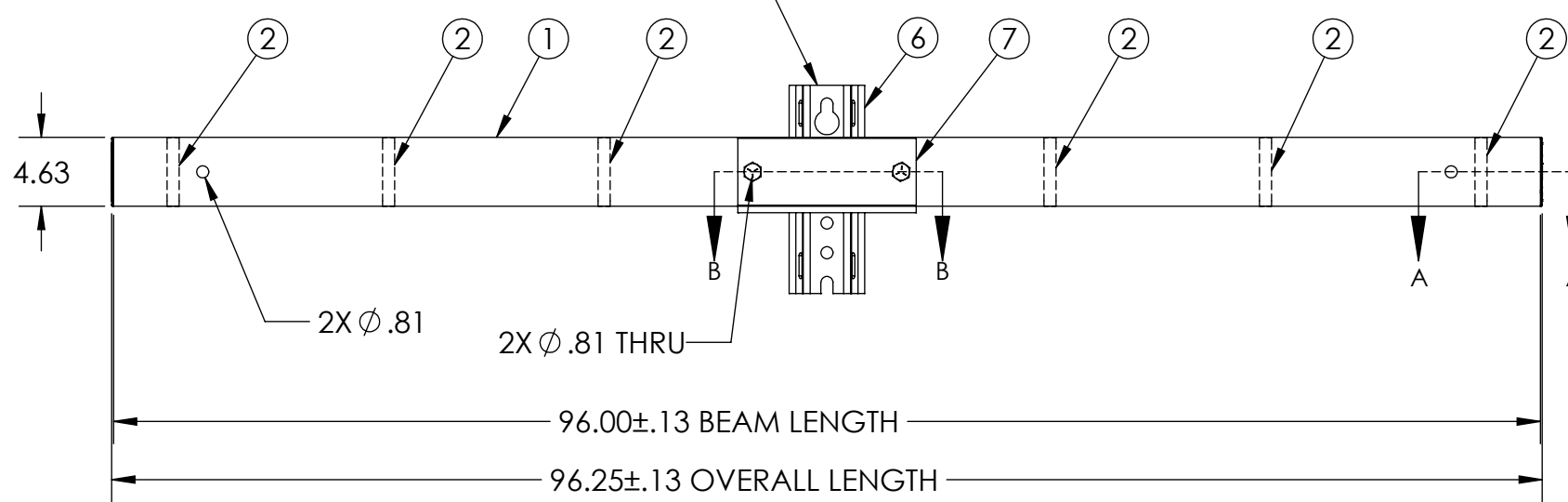
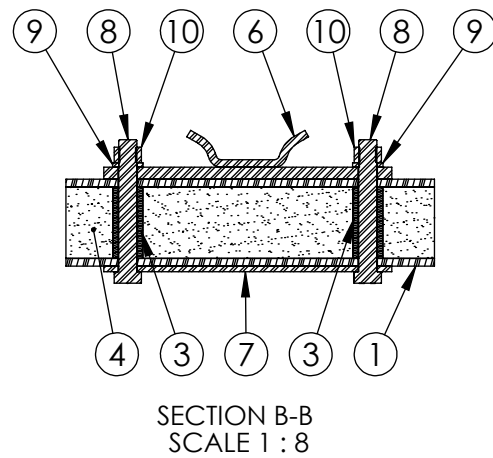
REVISIONS			
REV.	DESCRIPTION	DATE	INITIALS
0.1	REDRAWN IN SOLIDWORKS	2013-02-11	RAF



DETAIL -A-



SEE DETAIL -A-



NOTES:
1. CENTER OF MOUNT HOLE(S) TO HOLES TOLERANCE ±0.06

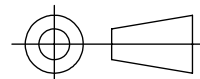
-----UNLESS OTHERWISE SPECIFIED-----
DIMENSIONS ARE IN INCHES
INTERPRET DIM AND TOL PER ASME Y14.5-2009
ANGULAR: MACH ±2°
BEND ±2°
TWO PLACE DECIMAL ±0.02
THREE PLACE DECIMAL ±0.005

PROPRIETARY AND CONFIDENTIAL
THE INFORMATION CONTAINED IN THIS DRAWING IS
THE SOLE PROPERTY OF GEOTEK. ANY REPRODUCTION
IN PART OR AS A WHOLE WITHOUT THE WRITTEN
PERMISSION OF GEOTEK IS PROHIBITED.

STATE:	RELEASED	2013-03-06
DRAWN:	RAF	2013-02-11
CHECKED:	BRH	2013-03-06
APPROVED:	BRH	2013-03-06
MATERIAL:		

FINISH:
REPLACES:
TB3000-96-04X

THIRD ANGLE PROJECTION



GEOTEK
A Whole New World of Composites
1421 SECOND AVE NW
STEWARTVILLE, MN 55976
(800) 533-1680
www.geotekinc.com

DESCRIPTION:
TANGENT ASSEMBLY, SERIES 3000
96 in, RUS 04

SIZE: DWG. NO.
B TB300009604X2

SCALE: 1:12 WEIGHT: 56.73 LBS SHEET 1 OF 1