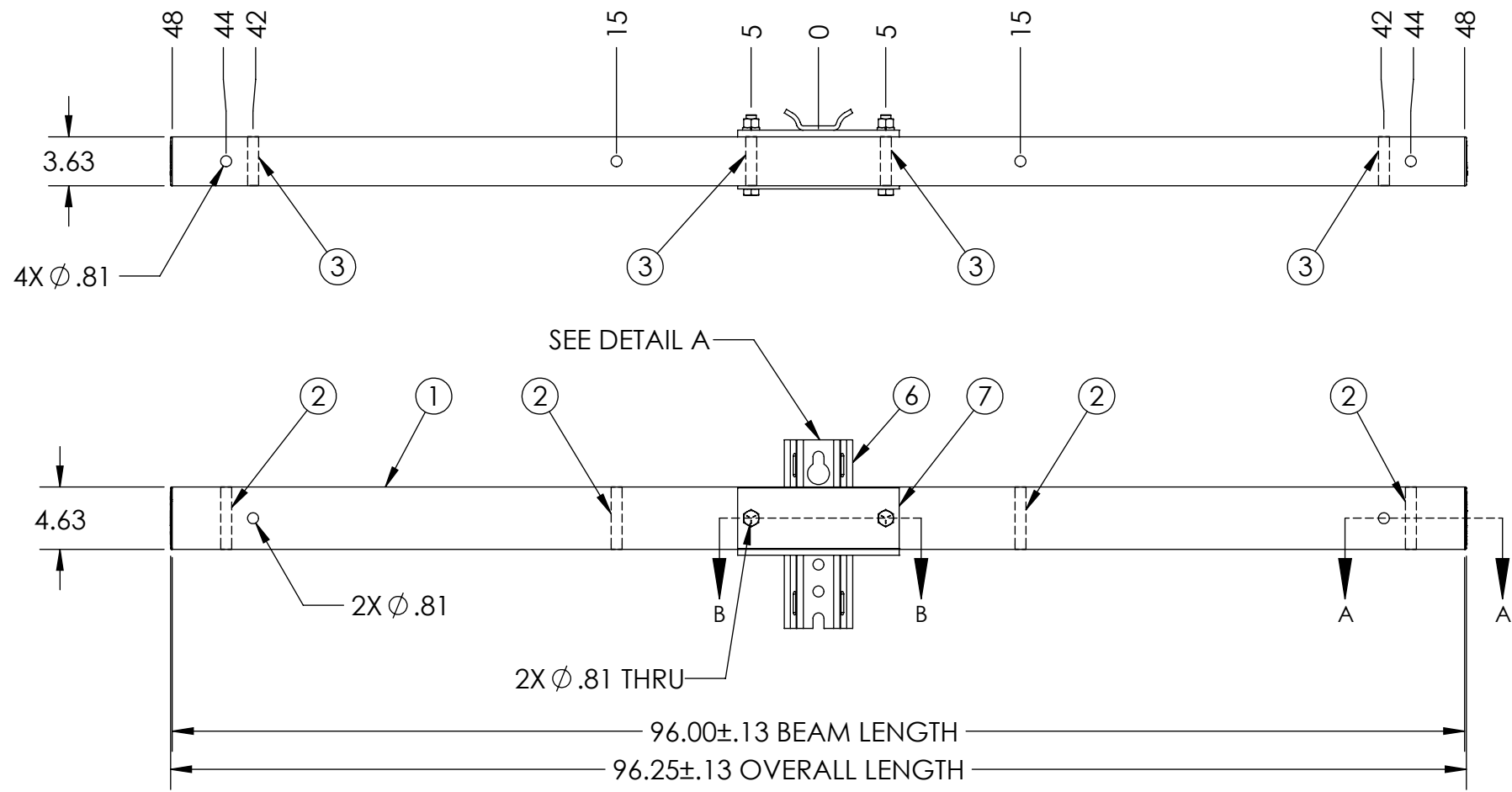
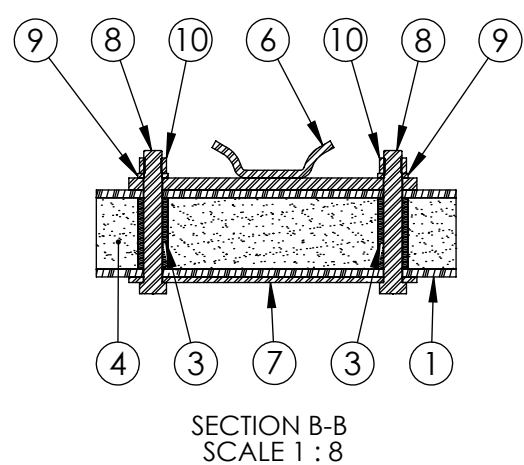
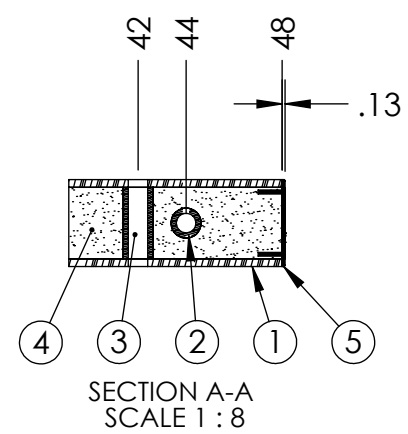
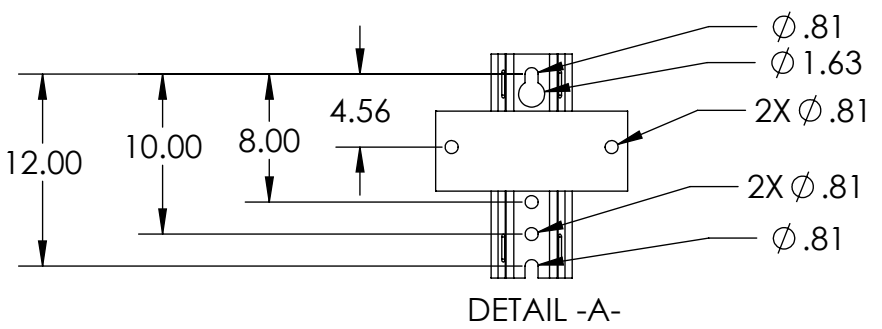


ITEM NO.	PART NUMBER	DESCRIPTION	DESCRIPTION 2	QTY
1	FB-096-3000-2	BEAM, PULTRUDED STOCK	SERIES 3000 x 96 in, GRAY	1
2	TG0813-0041	BUSHING	13/16 in x 3-15/16 in	4
3	TG0813-0042	BUSHING	13/16 in x 3 in	4
4	FOAM	-	-	1
5	EC30-0002-2	END CAP	SERIES 3000, GRAY	2
6	TM-0047	MOUNT ASSEMBLY, TANGENT	HDLH	1
7	PL-0001	PLATE, FRONT		1
8	HB0750-0001	HEX BOLT	3/4 in - 10 x 5-1/2 in	2
9	LW0750-0001	LOCK WASHER	3/4 in	2
10	HN0750-0001	HEX NUT	3/4 in - 10	2

PUPI[®]
www.pupicrossarms.com

REVISIONS			
REV.	DESCRIPTION	DATE	INITIALS
1.0	CORRECTED PIN HOLE SIZE, ADD REPLACES NOTE	2011-10-27	BRH
2.0	ADD REPLACES PREVIOUS ITEM NOTE IN TITLE BLOCK	2011-11-29	EFH
2.1	REDRAWN IN SOLIDWORKS	2013-02-11	RAF



NOTES:
1. CENTER OF MOUNT HOLE(S) TO HOLES TOLERANCE ±0.06

<p>-----UNLESS OTHERWISE SPECIFIED----- DIMENSIONS ARE IN INCHES INTERPRET DIM AND TOL PER ASME Y14.5-2009 ANGULAR: MACH ±2° BEND ±2° TWO PLACE DECIMAL ±0.02 THREE PLACE DECIMAL ±0.005</p>	STATE: RELEASED 2013-03-06	<p>1421 SECOND AVE NW STEWARTVILLE, MN 55976 (800) 533-1680 www.geotekinc.com</p>
	<p>DRAWN: RAF 2013-02-11 CHECKED: BRH 2013-03-06 APPROVED: BRH 2013-03-06</p>	
<p>PROPRIETARY AND CONFIDENTIAL THE INFORMATION CONTAINED IN THIS DRAWING IS THE SOLE PROPERTY OF GEOTEK. ANY REPRODUCTION IN PART OR AS A WHOLE WITHOUT THE WRITTEN PERMISSION OF GEOTEK IS PROHIBITED.</p>	<p>MATERIAL:</p> <p>FINISH:</p> <p>REPLACES: TB3000-96-03X</p>	<p>DESCRIPTION: TANGENT ASSEMBLY, SEREIS 3000 96 in, RUS 03</p>
<p>THIRD ANGLE PROJECTION</p>	<p>SIZE: DWG. NO. B TB300009603X2</p> <p>SCALE: 1:12 WEIGHT: 56.42 LBS</p>	<p>REV: 2.1</p> <p>SHEET 1 OF 1</p>