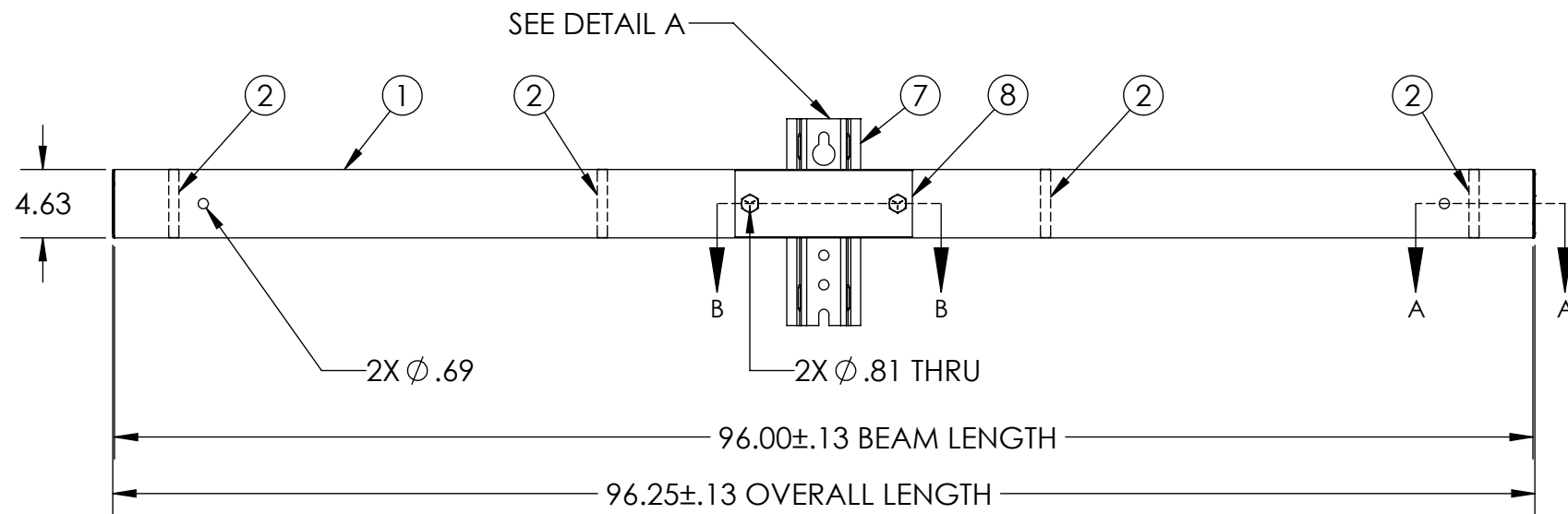
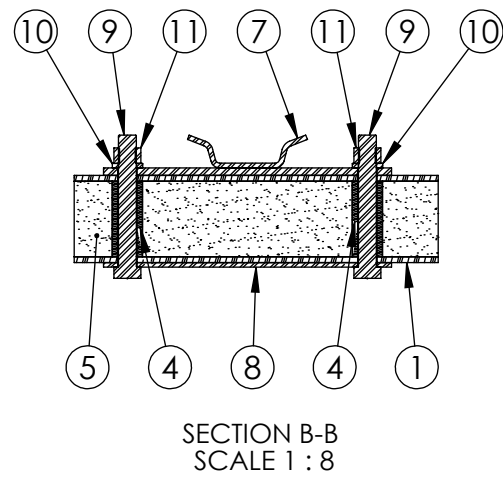
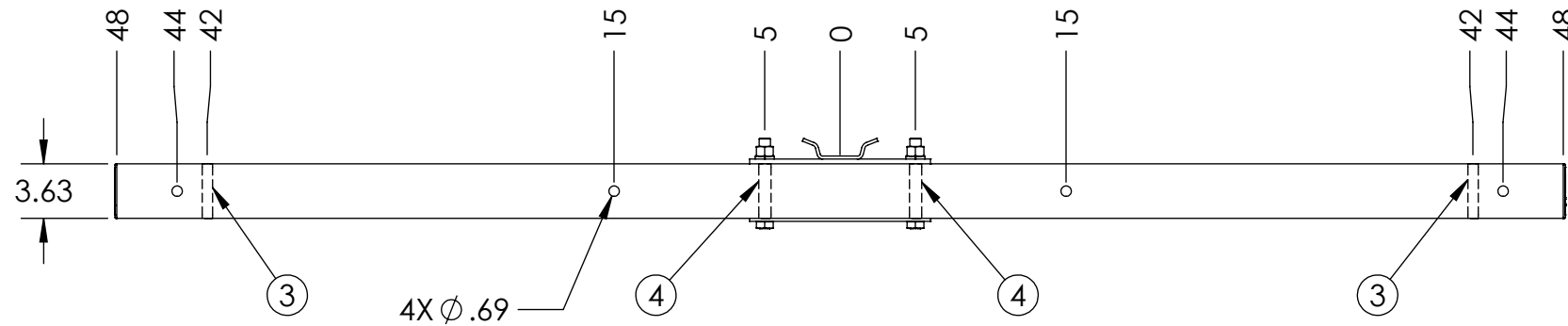
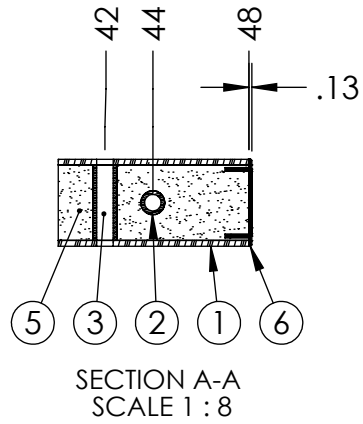
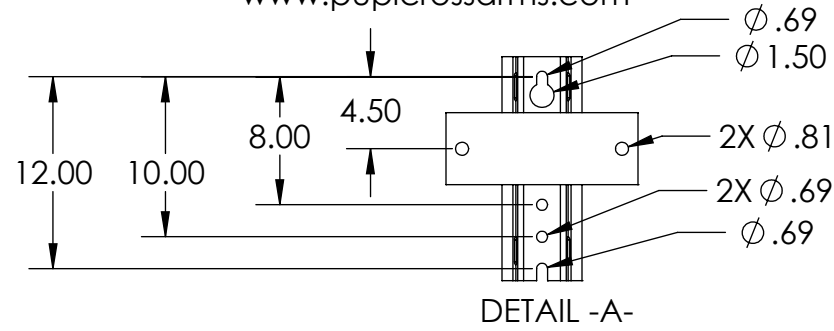


ITEM NO.	PART NUMBER	DESCRIPTION	DESCRIPTION 2	QTY
1	FB-096-2000-2	BEAM, PULTRUDED STOCK	SERIES 2000 x 96 in, GRAY	1
2	TG0688-0003	BUSHING	11/16 in x 4-1/16 in	4
3	TG0688-0004	BUSHING	11/16 in x 3-1/8 in	2
4	TG0813-0006	BUSHING	13/16 in x 3-1/8 in	2
5	FOAM	-	-	1
6	EC20-0001-2	END CAP	SERIES 2000, GRAY	2
7	TM-0044	MOUNT ASSEMBLY, TANGENT	SD	1
8	PL-0037	PLATE, FRONT		1
9	HB0750-0001	HEX BOLT	3/4 in - 10 x 5-1/2 in	2
10	LW0750-0001	LOCK WASHER	3/4 in	2
11	HN0750-0001	HEX NUT	3/4 in - 10	2

PUPI[®]
www.pupicrossarms.com

REVISIONS			
REV.	DESCRIPTION	DATE	INITIALS
1.0	ADDED REPLACES PREVIOUS ITEM NOTE IN TITLE BLOCK	2011-11-01	CAS
1.1	REDRAWN IN SOLIDWORKS	2013-02-06	RAF



NOTES:
1. CENTER OF MOUNT HOLE(S) TO HOLES TOLERANCE ±0.06

<p>-----UNLESS OTHERWISE SPECIFIED----- DIMENSIONS ARE IN INCHES INTERPRET DIM AND TOL PER ASME Y14.5-2009 ANGULAR: MACH ±2° BEND ±2° TWO PLACE DECIMAL ±0.02 THREE PLACE DECIMAL ±0.005</p> <p>PROPRIETARY AND CONFIDENTIAL THE INFORMATION CONTAINED IN THIS DRAWING IS THE SOLE PROPERTY OF GEOTEK. ANY REPRODUCTION IN PART OR AS A WHOLE WITHOUT THE WRITTEN PERMISSION OF GEOTEK IS PROHIBITED.</p>	<p>STATE: RELEASED 2013-03-06 DRAWN: RAF 2013-02-05 CHECKED: BRH 2013-03-06 APPROVED: BRH 2013-03-06</p>	<p>GEOTEK A Whole New World of Composites</p> <p>1421 SECOND AVE NW STEWARTVILLE, MN 55976 (800) 533-1680 www.geotekinc.com</p>
	<p>FINISH:</p> <p>REPLACES: TB2000-96-03X</p>	
<p>THIRD ANGLE PROJECTION</p>	<p>SIZE: DWG. NO. B TB200009603X2</p>	<p>REV: 1.1</p>
<p>SCALE: 1:12 WEIGHT: 41.07 LBS</p>		<p>SHEET 1 OF 1</p>