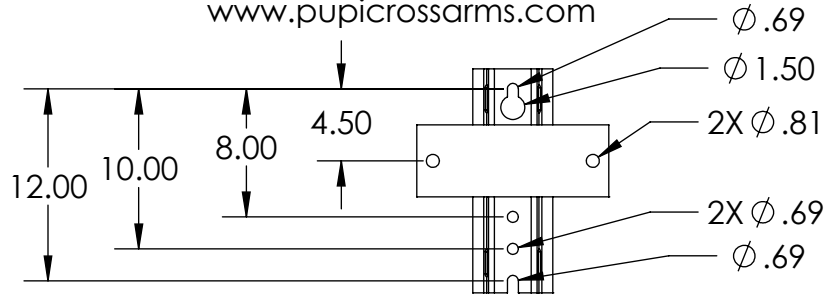


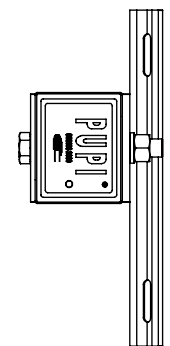
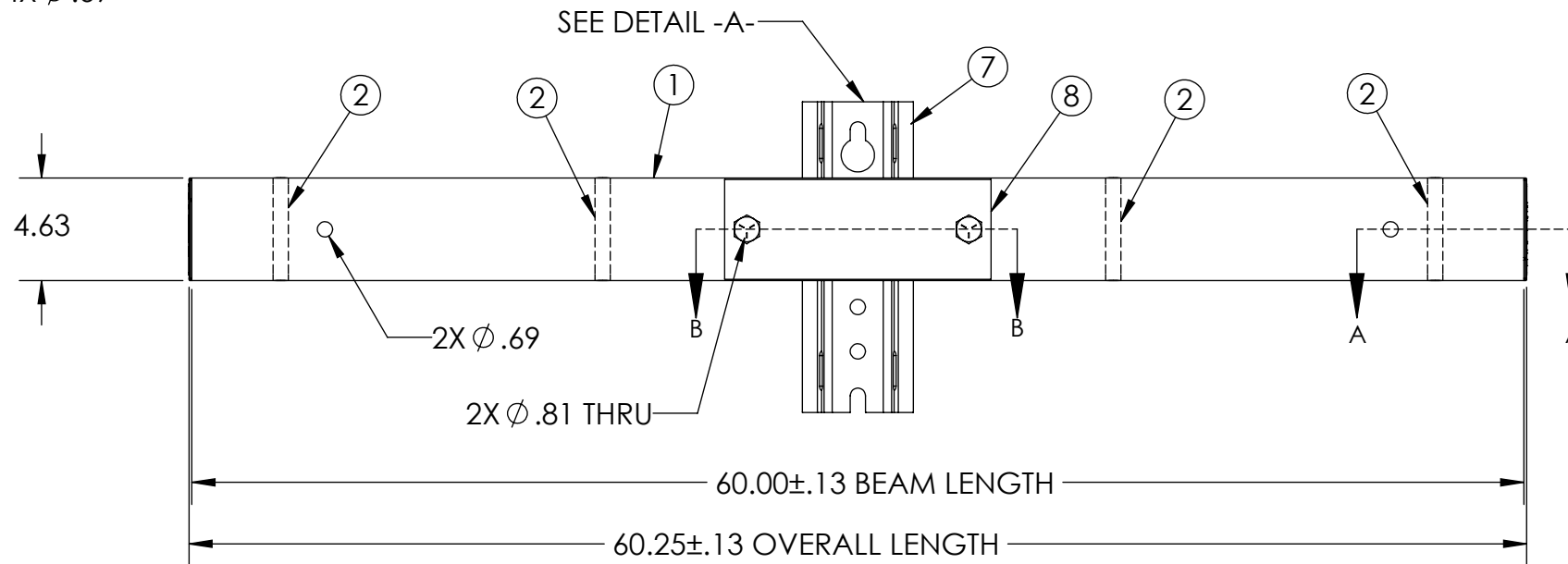
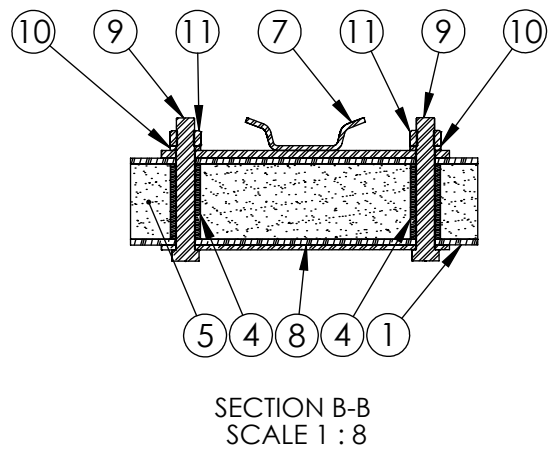
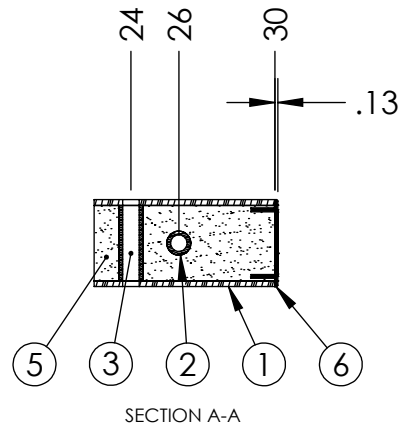
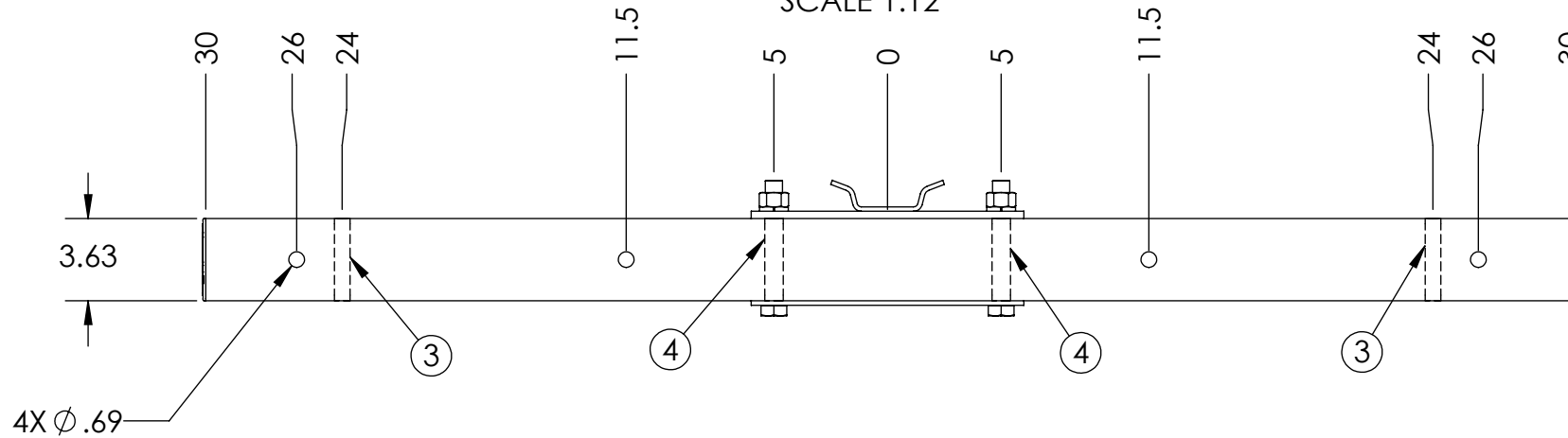
ITEM NO.	PART NUMBER	DESCRIPTION	DESCRIPTION 2	QTY
1	FB-060-2000-2	BEAM, PULTRUDED STOCK	SERIES 2000 x 60 in, GRAY	1
2	TG0688-0003	BUSHING	11/16 in x 4-1/16 in	4
3	TG0688-0004	BUSHING	11/16 in x 3-1/8 in	2
4	TG0813-0006	BUSHING	13/16 in x 3-1/8 in	2
5	FOAM	-	-	1
6	EC20-0001-2	END CAP	SERIES 2000, GRAY	2
7	TM-0044	MOUNT ASSEMBLY, TANGENT	SD	1
8	PL-0037	PLATE, FRONT		1
9	HB0750-0001	HEX BOLT	3/4 in - 10 x 5-1/2 in	2
10	LW0750-0001	LOCK WASHER	3/4 in	2
11	HN0750-0001	HEX NUT	3/4 in - 10	2

PUPI®
www.pupicrossarms.com

REVISIONS			
REV.	DESCRIPTION	DATE	INITIALS
1.0	ADDED REPLACES PREVIOUS ITEM IN TITLE BLOCK	2011-11-02	CAS
2.0	ADDED REPLACES PREVIOUS ITEM NOTE IN TITLE BLOCK	2011-11-29	EFH
2.1	REDRAWN IN SOLIDWORKS	2013-02-05	RAF



DETAIL -A-
SCALE 1:12



NOTES:
1. CENTER OF MOUNT HOLE(S) TO HOLES TOLERANCE ± 0.06

<p>-----UNLESS OTHERWISE SPECIFIED----- DIMENSIONS ARE IN INCHES INTERPRET DIM AND TOL PER ASME Y14.5-2009 ANGULAR: MACH $\pm 2^\circ$ BEND $\pm 2^\circ$ TWO PLACE DECIMAL ± 0.02 THREE PLACE DECIMAL ± 0.005</p> <p>PROPRIETARY AND CONFIDENTIAL THE INFORMATION CONTAINED IN THIS DRAWING IS THE SOLE PROPERTY OF GEOTEK. ANY REPRODUCTION IN PART OR AS A WHOLE WITHOUT THE WRITTEN PERMISSION OF GEOTEK IS PROHIBITED.</p>	STATE: RELEASED	2013-03-06
	DRAWN: RAF	2013-02-05
	CHECKED: BRH	2013-03-06
	APPROVED: BRH	2013-03-06
	MATERIAL:	
	FINISH:	
	REPLACES:	TB2000-60-SPX
	THIRD ANGLE PROJECTION	

<p>1421 SECOND AVE NW STEWARTVILLE, MN 55976 (800) 533-1680 www.geotekinc.com</p>	DESCRIPTION: TANGENT ASSEMBLY, SERIES 2000 60 in, PUPI SPX	
	SIZE: DWG. NO. B TB2000060SPX2	REV: 2.1
SCALE: 1:8	WEIGHT: 31.40 LBS	SHEET 1 OF 1