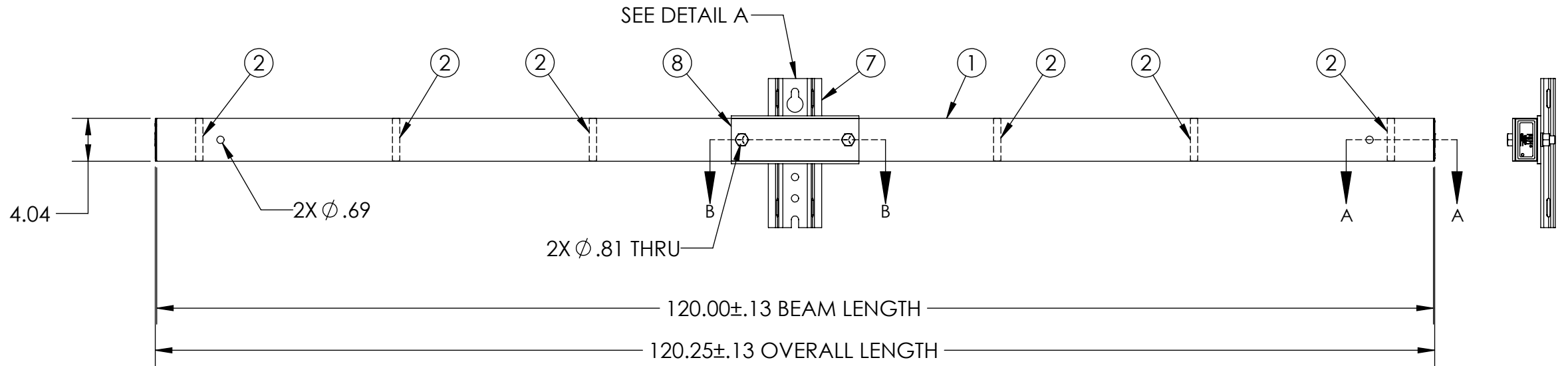
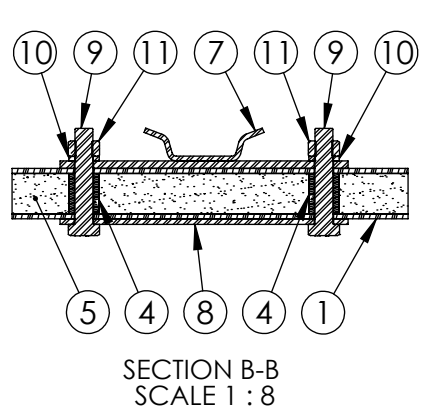
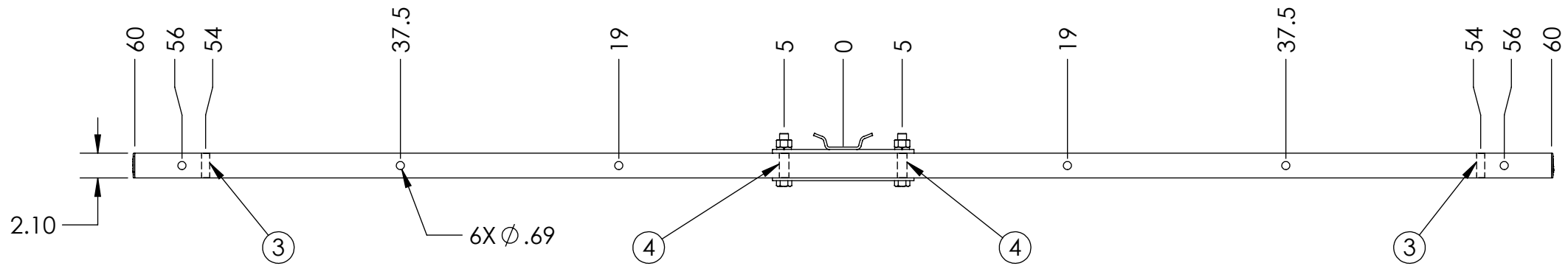
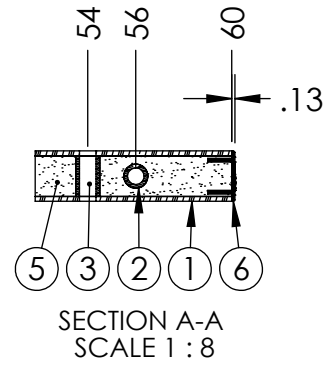
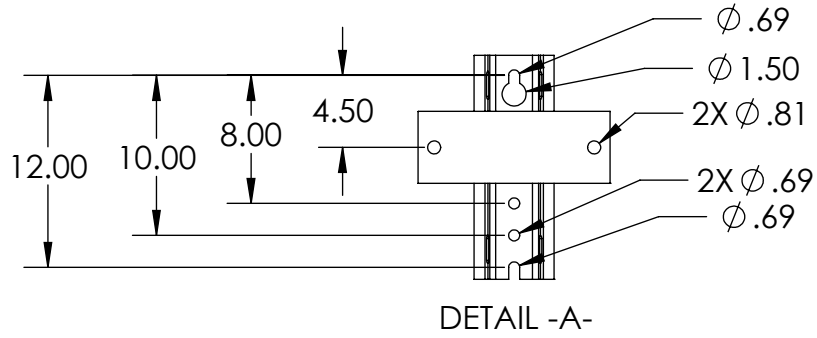



ITEM NO.	PART NUMBER	DESCRIPTION	DESCRIPTION 2	QTY
1	FB-120-1000-2	BEAM, PULTRUDED STOCK	SERIES 1000 x 120 in, GRAY	1
2	TG0688-0015	BUSHING	11/16 in x 3-11/16 in	6
3	TG0688-0016	BUSHING	11/16 in x 1-11/16 in	2
4	TG0813-0018	BUSHING	13/16 in x 1-11/16 in	2
5	FOAM	-	-	1
6	EC10-0007-2	END CAP	SERIES 1000, GRAY	2
7	TM-0044	MOUNT ASSEMBLY, TANGENT	SD	1
8	PL-0003	PLATE, FRONT		1
9	HB0750-0005	HEX BOLT	3/4 in - 10 x 4 in	2
10	LW0750-0001	LOCK WASHER	3/4 in	2
11	HN0750-0001	HEX NUT	3/4 in - 10	2

PUPI[®]
www.pupicrossarms.com

REVISIONS			
REV.	DESCRIPTION	DATE	INITIALS
1.0	ADDED REPLACES PREVIOUS ITEM NOTE IN TITLE BLOCK	2011-11-29	EFH
1.1	REDRAWN IN SOLIDWORKS	2013-02-04	RAF



NOTES:
1. CENTER OF MOUNT HOLE(S) TO HOLES TOLERANCE ±0.06

<p>-----UNLESS OTHERWISE SPECIFIED----- DIMENSIONS ARE IN INCHES INTERPRET DIM AND TOL PER ASME Y14.5-2009 ANGULAR: MACH ±2° BEND ±2° TWO PLACE DECIMAL ±0.02 THREE PLACE DECIMAL ±0.005</p> <p>PROPRIETARY AND CONFIDENTIAL THE INFORMATION CONTAINED IN THIS DRAWING IS THE SOLE PROPERTY OF GEOTEK. ANY REPRODUCTION IN PART OR AS A WHOLE WITHOUT THE WRITTEN PERMISSION OF GEOTEK IS PROHIBITED.</p>	STATE: RELEASED 2013-03-06	 <p>1421 SECOND AVE NW STEWARTVILLE, MN 55976 (800) 533-1680 www.geotekinc.com</p>
	DRAWN: RAF 2013-02-04	
	CHECKED: BRH 2013-03-06	
	APPROVED: BRH 2013-03-06	
MATERIAL:	FINISH:	DESCRIPTION: TANGENT ASSEMBLY, SERIES 1000 120 in, RUS 05
REPLACES: TB1000-120-05X	THIRD ANGLE PROJECTION	SIZE: DWG. NO. B TB100012005X2
		SCALE: 1:12 WEIGHT: 32.85 LBS
		REV: 1.1 SHEET 1 OF 1