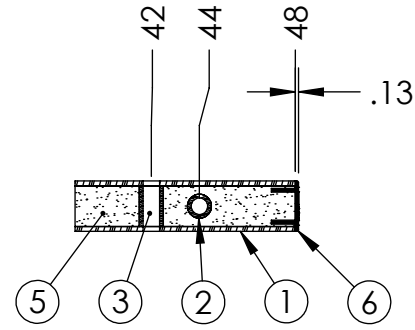
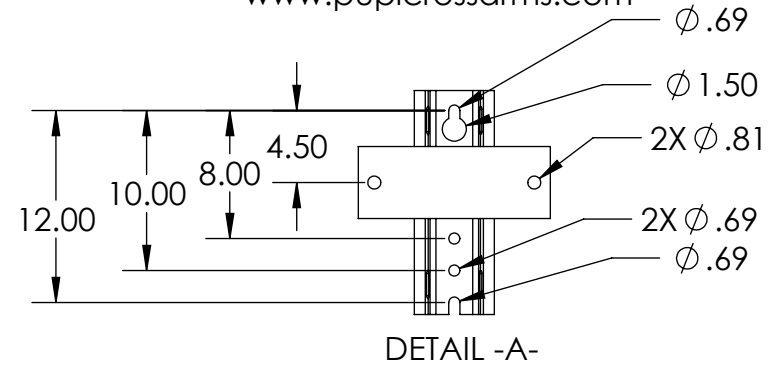


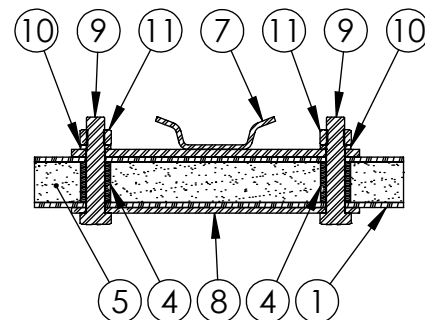
ITEM NO.	PART NUMBER	DESCRIPTION	DESCRIPTION 2	QTY
1	FB-096-1000-2	BEAM, PULTRUDED STOCK	SERIES 1000 x 96 in, GRAY	1
2	TG0688-0015	BUSHING	11/16 in x 3-11/16 in	6
3	TG0688-0016	BUSHING	11/16 in x 1-11/16 in	2
4	TG0813-0018	BUSHING	13/16 in x 1-11/16 in	2
5	FOAM	-	-	1
6	EC10-0007-2	END CAP	SERIES 1000, GRAY	2
7	TM-0044	MOUNT ASSEMBLY, TANGENT	SD	1
8	PL-0003	PLATE, FRONT		1
9	HB0750-0005	HEX BOLT	3/4 in - 10 x 4 in	2
10	LW0750-0001	LOCK WASHER	3/4 in	2
11	HN0750-0001	HEX NUT	3/4 in - 10	2



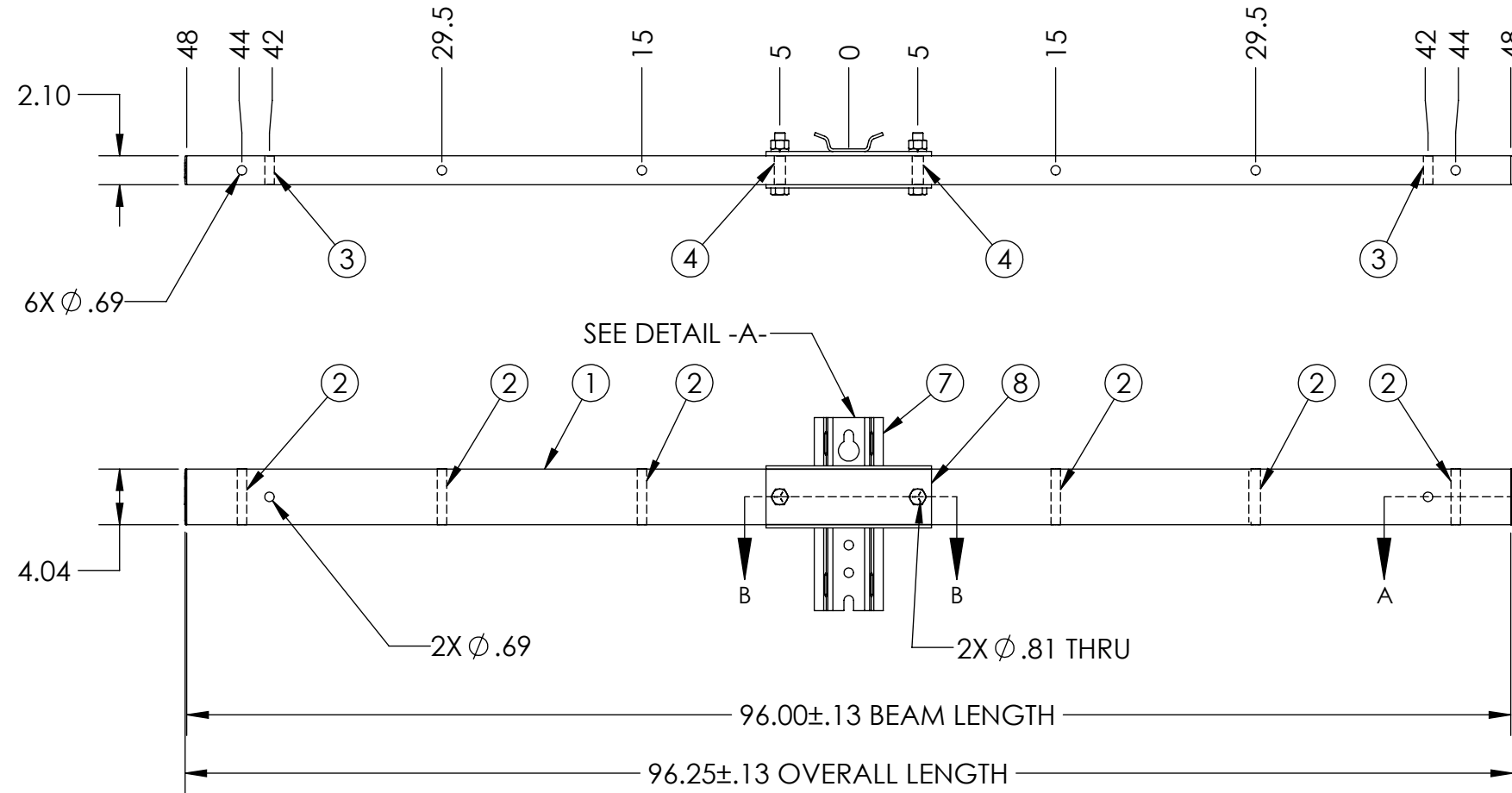
REVISIONS			
REV.	DESCRIPTION	DATE	INITIALS
0.1	REDRAWN IN SOLIDWORKS	2013-02-04	RAF



**SECTION A-A**  
SCALE 1 : 8



**SECTION B-B**  
SCALE 1 : 8



**NOTES:**  
1. CENTER OF MOUNT HOLE(S) TO HOLES TOLERANCE ±0.06

<p><b>-----UNLESS OTHERWISE SPECIFIED-----</b> DIMENSIONS ARE IN INCHES INTERPRET DIM AND TOL PER ASME Y14.5-2009 ANGULAR: MACH ±2° BEND ±2° TWO PLACE DECIMAL ±0.02 THREE PLACE DECIMAL ±0.005</p>	STATE: RELEASED	2013-03-07	<p>1421 SECOND AVE NW STEWARTVILLE, MN 55976 (800) 533-1680 www.geotekinc.com</p>
	DRAWN: RAF	2013-02-04	
<p><b>PROPRIETARY AND CONFIDENTIAL</b> THE INFORMATION CONTAINED IN THIS DRAWING IS THE SOLE PROPERTY OF GEOTEK. ANY REPRODUCTION IN PART OR AS A WHOLE WITHOUT THE WRITTEN PERMISSION OF GEOTEK IS PROHIBITED.</p>	CHECKED: BRH	2013-03-07	DESCRIPTION:
	APPROVED: BRH	2013-03-07	TANGENT ASSEMBLY, SERIES 1000
<p>THIRD ANGLE PROJECTION</p>	<p>MATERIAL:</p> <p>FINISH:</p> <p>REPLACES: TB1000-96-04X</p>		96 in, RUS 04
	<p>SIZE: DWG. NO.</p> <p><b>B</b> TB100009604X2</p>		REV: 0.1
<p>SCALE: 1:12</p>		<p>WEIGHT: 29.26 LBS</p>	<p>SHEET 1 OF 1</p>