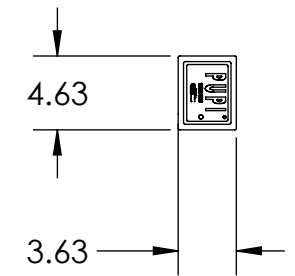
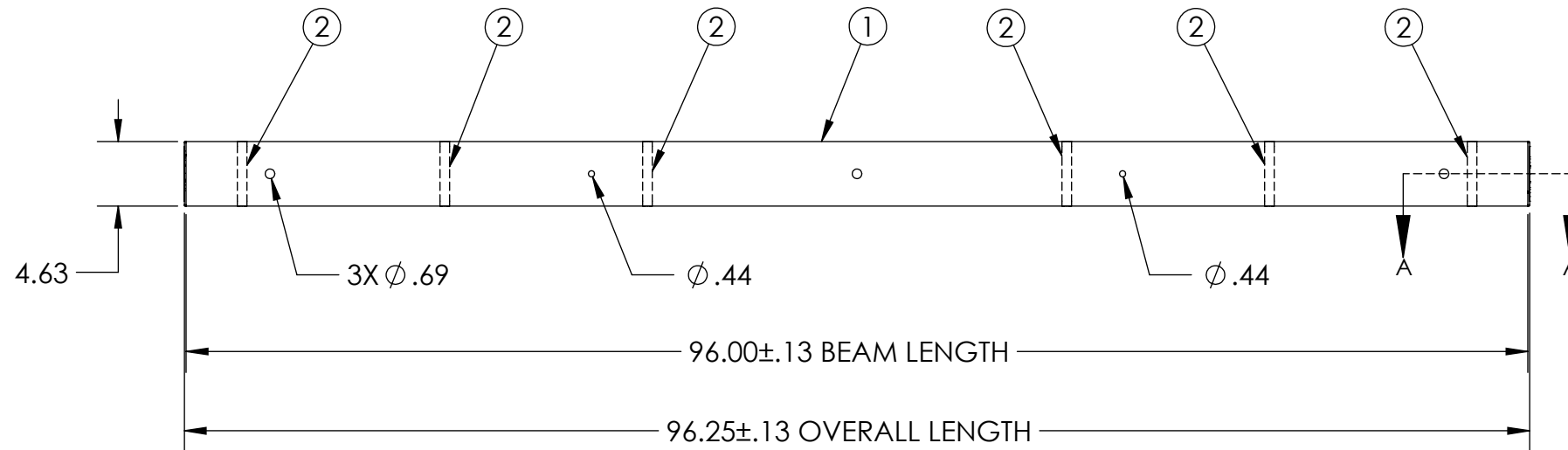
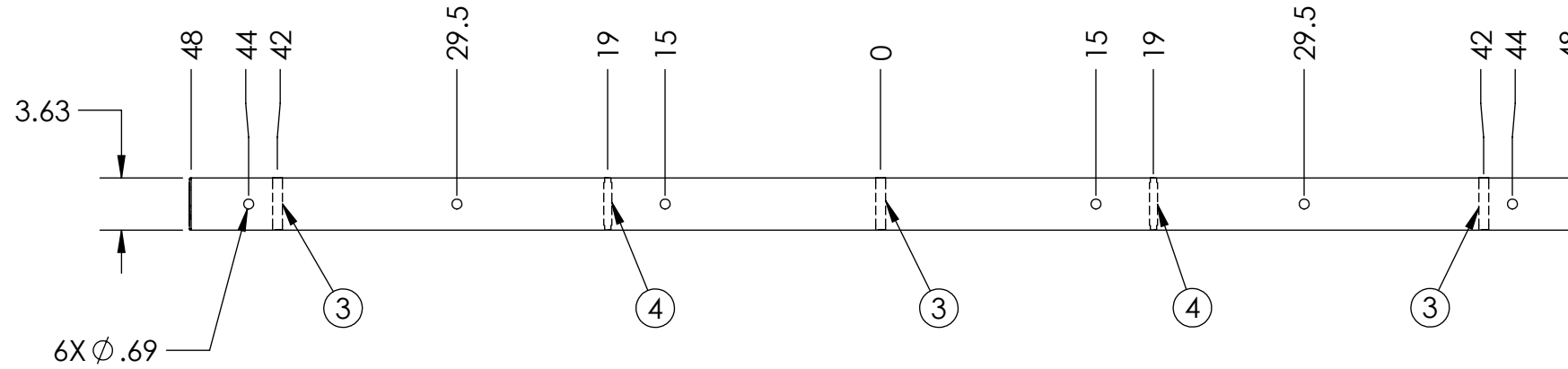
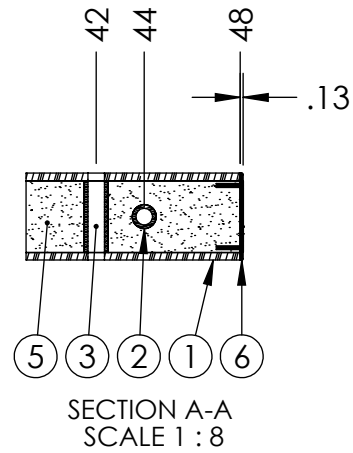


ITEM NO.	PART NUMBER	DESCRIPTION	DESCRIPTION 2	QTY
1	FB-096-3000-2	BEAM, PULTRUDED STOCK	SERIES 3000 x 96 in, GRAY	1
2	TG0688-0039	BUSHING	11/16 in x 3-15/16 in	6
3	TG0688-0040	BUSHING	11/16 in x 3 in	3
4	TG0563-0038	BUSHING	9/16 in x 3 in	2
5	FOAM	-	-	1
6	EC30-0002-2	END CAP	SERIES 3000, GRAY	2

PUPI[®]
www.pupicrossarms.com

REVISIONS			
REV.	DESCRIPTION	DATE	INITIALS
0.1	REDRAWN IN SOLIDWORKS	2013-02-14	RAF



NOTES:
1. CENTER OF MOUNT HOLE(S) TO HOLES TOLERANCE ±0.06

<p>-----UNLESS OTHERWISE SPECIFIED----- DIMENSIONS ARE IN INCHES INTERPRET DIM AND TOL PER ASME Y14.5-2009 ANGULAR: MACH ±2° BEND ±2° TWO PLACE DECIMAL ±0.02 THREE PLACE DECIMAL ±0.005</p>	STATE: RELEASED 2013-03-07		<p>1421 SECOND AVE NW STEWARTVILLE, MN 55976 (800) 533-1680 www.geotekinc.com</p>	
	<p>DRAWN: RAF 2013-02-14 CHECKED: BRH 2013-03-07 APPROVED: BRH 2013-03-07</p>			DESCRIPTION: TANGENT ASSEMBLY, SERIES 3000 96 in, RUS 04
<p>PROPRIETARY AND CONFIDENTIAL THE INFORMATION CONTAINED IN THIS DRAWING IS THE SOLE PROPERTY OF GEOTEK. ANY REPRODUCTION IN PART OR AS A WHOLE WITHOUT THE WRITTEN PERMISSION OF GEOTEK IS PROHIBITED.</p>	<p>MATERIAL: FINISH: REPLACES: TB3000-96-04X</p>	<p>THIRD ANGLE PROJECTION</p>	<p>SIZE: DWG. NO. B T300009604X2</p>	<p>REV: 0.1</p>
SCALE: 1:12		WEIGHT: 35.39 LBS		SHEET 1 OF 1