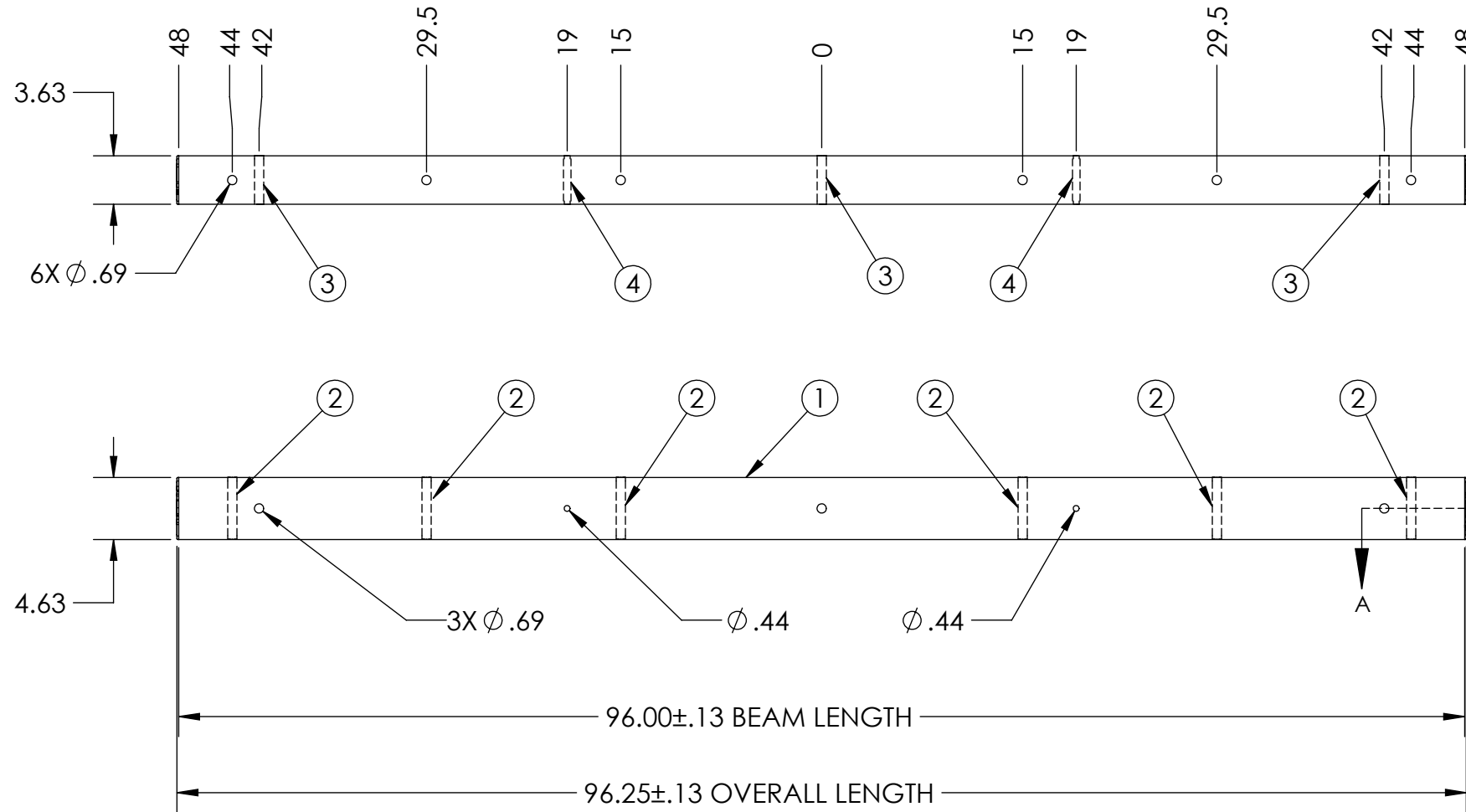
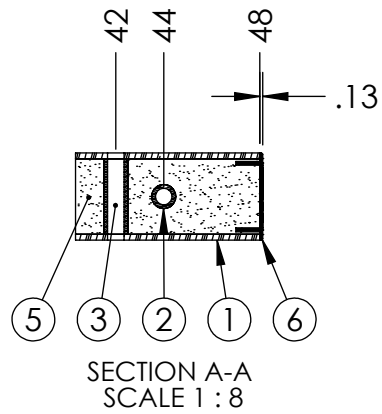


ITEM NO.	PART NUMBER	DESCRIPTION	DESCRIPTION 2	QTY.
1	FB-096-2500-2	BEAM, PULTRUDED STOCK	SERIES 2500 x 96 in, GRAY	1
2	TG0688-0003	BUSHING	11/16 in x 4-1/16 in	6
3	TG0688-0004	BUSHING	11/16 in x 3-1/8 in	3
4	TG0563-0002	BUSHING	9/16 in x 3-1/8 in	2
5	FOAM	-	-	1
6	EC25-0003-2	END CAP	SERIES 2500, GRAY	2



REVISIONS			
REV.	DESCRIPTION	DATE	INITIALS
1.0	CHANGE 2X DIA 9/16" TO DIA 11/16", FOLLOW 04X DRILL SPEC	2012-12-31	RAF
1.1	REDRAWN IN SOLIDWORKS	2013-01-29	RAF
1.2	REMOVE PRELIMINARY WATER MARK	2013-01-30	RAF
1.3	CORRECT SPELLING OF PUPICROSSARMS LINK	2013-02-13	RAF
1.4	ADD LENGTH IN DESCRIPTION	2013-03-05	RAF



NOTES:
1. CENTER OF MOUNT HOLE(S) TO HOLES TOLERANCE ±0.06

<p>-----UNLESS OTHERWISE SPECIFIED-----</p> <p>DIMENSIONS ARE IN INCHES</p> <p>INTERPRET DIM AND TOL PER ASME Y14.5-2009</p> <p>ANGULAR: MACH ±2°</p> <p>BEND ±2°</p> <p>TWO PLACE DECIMAL ±0.02</p> <p>THREE PLACE DECIMAL ±0.005</p>	STATE: RELEASED 2013-03-05	<p>1421 SECOND AVE NW STEWARTVILLE, MN 55976 (800) 533-1680 www.geotekinc.com</p>
	<p>DRAWN: RAF 2013-01-29</p> <p>CHECKED: BRH 2013-03-05</p> <p>APPROVED: BRH 2013-03-05</p> <p>MATERIAL:</p> <p>FINISH:</p> <p>REPLACES:</p>	
<p>PROPRIETARY AND CONFIDENTIAL</p> <p>THE INFORMATION CONTAINED IN THIS DRAWING IS THE SOLE PROPERTY OF GEOTEK. ANY REPRODUCTION IN PART OR AS A WHOLE WITHOUT THE WRITTEN PERMISSION OF GEOTEK IS PROHIBITED.</p>	<p>THIRD ANGLE PROJECTION</p>	<p>SIZE: DWG. NO. B T250009604X2</p> <p>SCALE: 1:12 WEIGHT: 28.09 LBS</p>
		<p>REV: 1.4</p> <p>SHEET 1 OF 1</p>