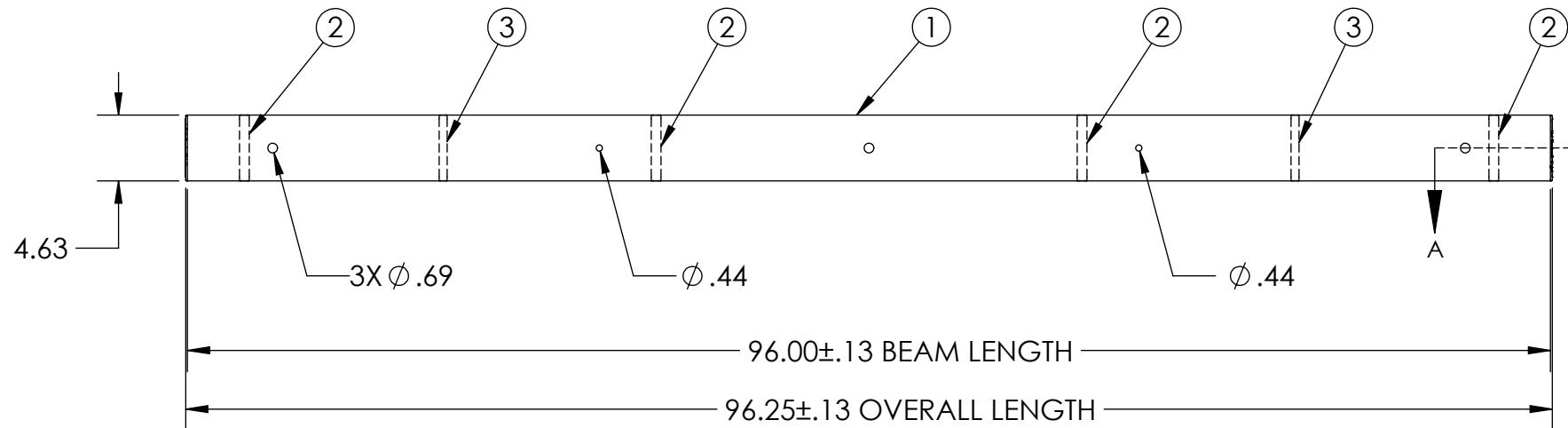
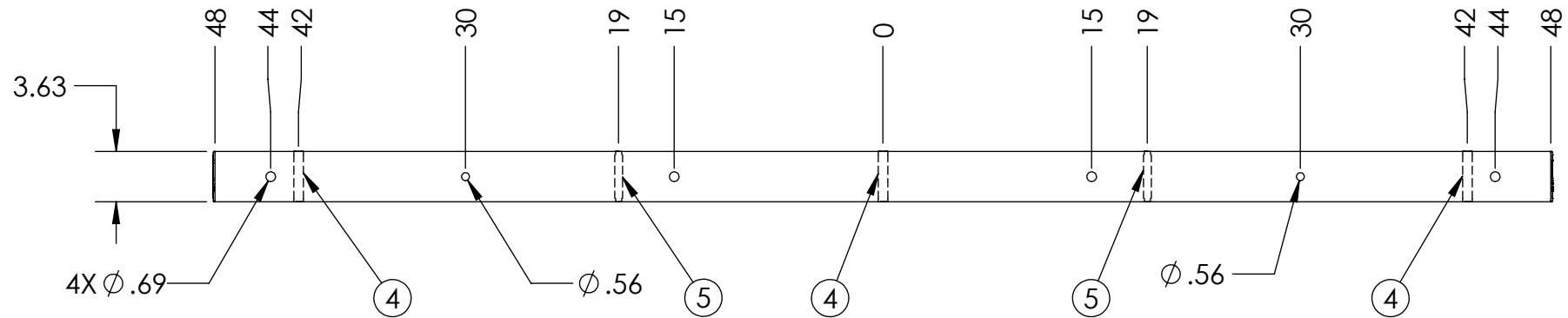
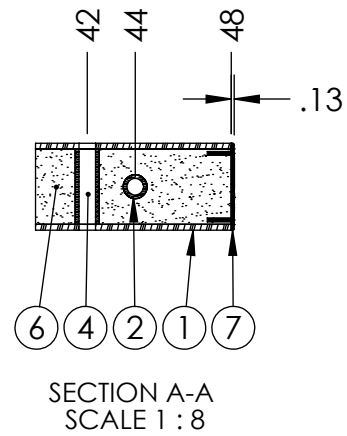


| ITEM NO. | PART NUMBER | DESCRIPTION | DESCRIPTION 2 | QTY |
|----------|---------------|-----------------------|---------------------------|-----|
| 1 | FB-096-2500-2 | BEAM, PULTRUDED STOCK | SERIES 2500 x 96 in, GRAY | 1 |
| 2 | TG0688-0003 | BUSHING | 11/16 in x 4-1/16 in | 4 |
| 3 | TG0563-0001 | BUSHING | 9/16 in x 4-1/16 in | 2 |
| 4 | TG0688-0004 | BUSHING | 11/16 in x 3-1/8 in | 3 |
| 5 | TG0563-0002 | BUSHING | 9/16 in x 3-1/8 in | 2 |
| 6 | FOAM | - | - | 1 |
| 7 | EC25-0003-2 | END CAP | SERIES 2500, GRAY | 2 |

PUPI[®]
www.pupicrossarms.com

| REVISIONS | | | |
|-----------|--|------------|----------|
| REV. | DESCRIPTION | DATE | INITIALS |
| 1.0 | ADDED REPLACES PREVIOUS ITEM NOTE IN TITLE BLOCK | 2011-11-29 | EFH |
| 1.1 | REDRAWN IN SOLIDWORKS | 2013-02-14 | RAF |



NOTES:
1. CENTER OF MOUNT HOLE(S) TO HOLES TOLERANCE ±0.06

| | | | |
|--|---|----------------------------------|---|
| <p>-----UNLESS OTHERWISE SPECIFIED----- DIMENSIONS ARE IN INCHES INTERPRET DIM AND TOL PER ASME Y14.5-2009 ANGULAR: MACH ±2° BEND ±2° TWO PLACE DECIMAL ±0.02 THREE PLACE DECIMAL ±0.005</p> | STATE: RELEASED 2013-03-05 | | <p>1421 SECOND AVE NW STEWARTVILLE, MN 55976 (800) 533-1680 www.geotekinc.com</p> |
| | <p>DRAWN: RAF 2013-02-14 CHECKED: BRH 2013-03-05 APPROVED: BRH 2013-03-05</p> | | |
| <p>PROPRIETARY AND CONFIDENTIAL THE INFORMATION CONTAINED IN THIS DRAWING IS THE SOLE PROPERTY OF GEOTEK. ANY REPRODUCTION IN PART OR AS A WHOLE WITHOUT THE WRITTEN PERMISSION OF GEOTEK IS PROHIBITED.</p> | <p>MATERIAL: FINISH: REPLACES: T2500-96-03X</p> | <p>THIRD ANGLE PROJECTION</p> | <p>SIZE: DWG. NO. B T250009603X2</p> |
| <p>SCALE: 1:12 WEIGHT: 28.18 LBS</p> | | <p>REV: 1.1 SHEET 1 OF 1</p> | |